



Wireless receiver

RF Rx EN868-4W 24 VAC/DC

Material number: 1185835 (Material number old: 90590006)

Features/Options:

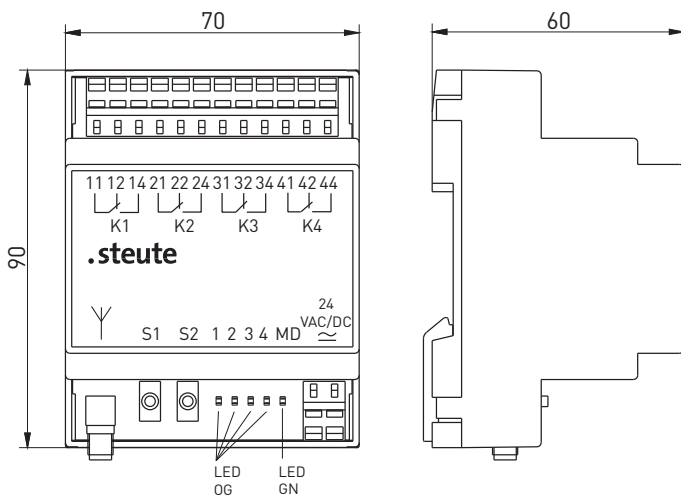
- EnOcean® wireless technology
- 4 potential-free relay outputs
- 4 change-over contacts, max. 6 A

- Transmitter/receiver assignment by teaching mode
- LEDs for indication of switching state
- SMA plug-in connector for external antenna

Notes

- External antenna always required for optimum wireless range

Dimensions



Technical data

Applied standards	EN 60947-5-1, EN 61000-6-2, EN 61000-6-3, EN 61000-4-2, EN 61000-4-20, EN 61000-4-4, EN 61000-4-5, EN 61000-4-6, EN 60068-2-6, EN 60068-2-27, EN 301 489-1, EN 301 489-3, EN 300 220-1, EN 300 220-2
Degree of protection	IP 20 to IEC/EN 60529
Frequency	868.3 MHz (Europe)
Number of channels	4
Mounting	DIN rail mounting
Connection	terminals with CAGE CLAMP WAGO Series 236: 0.08 ... 2.5 mm ² / AWG 28-12, AWG 12: THHN, THWN, stripping length 5 ... 6 mm / 0.22 in
Inputs	4 wireless channels, max. 10 transmitters per channel
Outputs	4 change-over contacts (relays)
Rated operating current/voltage I_e/U_e	max. 0.1 A/24 VDC -15 % ... +10 %; max. 0.25 A/24 VAC -15 % ... +10 %; output contacts: 6 A/250 VAC; 2 A/24 VDC
Utilisation category	AC-15; DC-13
Rated operating isolation voltage U_i	250 VAC
Rated impulse withstand voltage U_{imp}	2.5 kV
Display	green LED: ready for operation, orange LED: signalling of switching state
Operation cycles	approx. 9000 telegrams with repetitions/h
Degree of pollution	2

Errors and omissions excepted.



Wireless receiver

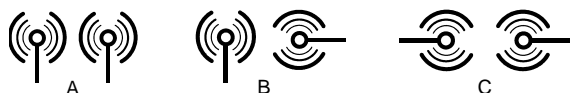
RF Rx EN868-4W 24 VAC/DC

Material number: 1185835 (Material number old: 90590006)

Technical data

Ambient temperature	0 °C ... +55 °C
Storage and shipping temperature	-25 °C ... +85 °C
Note	Inductive loads (contactors, relays etc.) are to be suppressed by suitable circuitry.
Wireless approvals	Europe: RED 2014/53/EU
Weight	170 g

Arrangement of receiver and switch antenna



A = Optimum mounting
 B = Possible mounting
 C = Unsuitable mounting

Note
 Magnetic base antennae must be mounted on a metal plate of min. 250 x 250 mm size.



SCATTERGOOD & JOHNSON LTD

ELECTRICAL ENGINEERING & FLUID CONTROL DISTRIBUTORS

Est.1899

At Scattergood & Johnson Ltd, we pride ourselves on being a technical distributor to specialist industries.

Working with a range of quality product suppliers across a number of specialist markets, we are not your average 'box shifter' - we are your technical and supply chain partner.

We fully support every product we sell - for free! Our internal team and external sales engineers can answer any product or application question, no matter the complexity.

Backing up this technical ability is a range of 50,000+ products available from stock for nationwide next day delivery (same day if required!), or you can collect what you need from any of our trade counters around the UK.

Select your specialist interest below to learn more about how we can help.



Online, In Branch and On the Road - Scattergood & Johnson Ltd, there when you need us.

www.scatts.co.uk