




Position switch Extreme with safety function

ES 95 D 1Ö/1S IP66 Niro Extreme

Material number: 1183368 (Material number old: 95021915)

Features/Options:

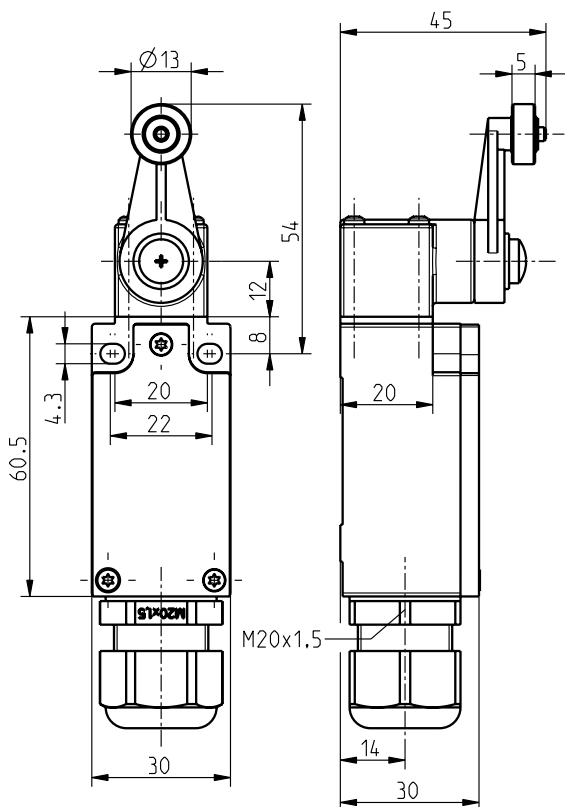
- Version with higher degree of protection IP 66: From a distance of 2.5 to 3.0 m, the devices are treated with splashing water from different directions at 100 l per minute. The jet diameter is 12.5 mm, test duration is 1 min/m surface for at least 3 min.
- Screws and plunger made of stainless steel
- Salt-mist proof
- Thermoplastic enclosure
- Horizontally slotted mounting holes
- Double insulated 

- Slow action \ominus , change-over contact with double break
- Good resistance to oil and petroleum spirit
- Actuator: Rocking lever D
- Lever angle adjustable in 10° steps
- Wear-resistant plastic roller
- Actuator can be repositioned by 4 x 90°
- Attention: Please state required international approvals with your order!

Notes

- With metal roller available on request
- 1 cable gland M20x1.5 - IP 66 included in delivery

Dimensions



Technical data

Applied standards	EN 60947-5-1, EN ISO 14119
Enclosure	thermoplastic, glass-fibre reinforced, impact resistant, self-extinguishing UL 94 V-0
Switch type	type 1
Coding level	no coding
Tightening torque	enclosure mounting screws: 1.2 ... 1.3 Nm cover screws: 0.5 ... 0.6 Nm
Degree of protection	IP 66 to IEC/EN 60529
B_{10d} (10 % load)	2 million
T_M	max. 20 years
Contact material	silver
Switching system	slow action, positive break NC contacts \ominus
Switching elements	1 NC/1 NO contact, type Zb
Connection	screw connection terminals
Cable cross-section	max. 1.5 mm ² (incl. conductor ferrules)
Cable entry	1 x M20 x 1.5 (incl. 1 cable gland)
Clamping range	7 ... 10 mm
Rated impulse withstand voltage U_{imp}	4 kV
Rated operating isolation voltage U_i	400 V

Errors and omissions excepted.



Position switch Extreme with safety function

ES 95 D 1Ö/1S IP66 Niro Extreme

Material number: 1183368 (Material number old: 95021915)

Technical data

Conventional thermal current 6 A

I_{the}

Utilisation category AC-15; DC-13

Rated operating current/
voltage I_g/U_g 6 A/400 VAC; 0.25 A/230 VDC; 4
A/24 VDC

Short-circuit protection 6 A gG/gN fuse

Mechanical life > 1 million operations

Operation cycles max. 1800/h

Ambient temperature -20 °C ... +80 °C

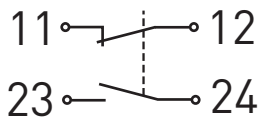
Contact opening max. 2 x 3.5 mm

Approvals

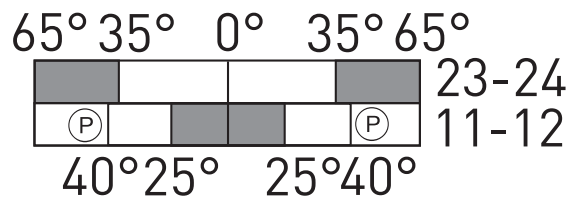


Weight 94 g

Contact diagram



Switching diagram



Errors and omissions excepted.



SCATTERGOOD & JOHNSON LTD

ELECTRICAL ENGINEERING & FLUID CONTROL DISTRIBUTORS

Est.1899

At Scattergood & Johnson Ltd, we pride ourselves on being a technical distributor to specialist industries.

Working with a range of quality product suppliers across a number of specialist markets, we are not your average 'box shifter' - we are your technical and supply chain partner.

We fully support every product we sell - for free! Our internal team and external sales engineers can answer any product or application question, no matter the complexity.

Backing up this technical ability is a range of 50,000+ products available from stock for nationwide next day delivery (same day if required!), or you can collect what you need from any of our trade counters around the UK.

Select your specialist interest below to learn more about how we can help.



Online, In Branch and On the Road - Scattergood & Johnson Ltd, there when you need us.

www.scatts.co.uk