



Wireless position switch

RF 95 DS EN868

Material number: 1181110 (Material number old: 95929001)

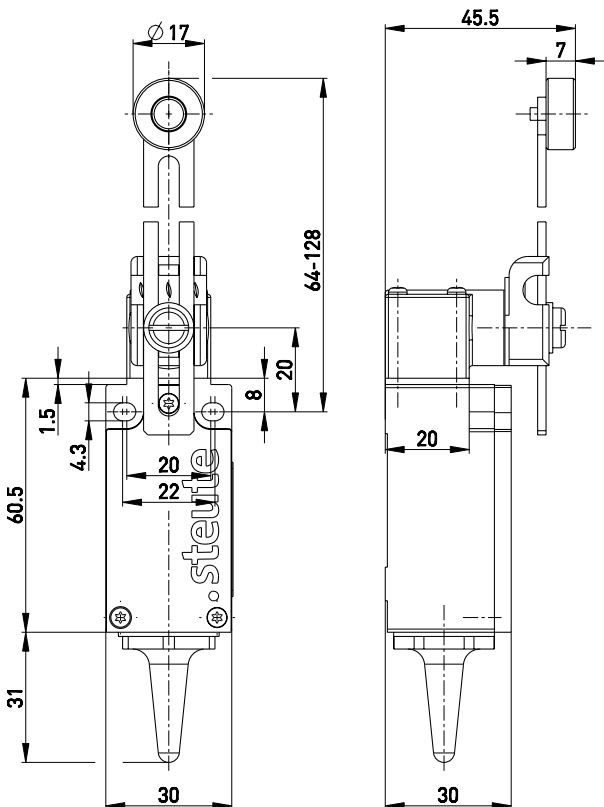
Features/Options:

- Thermoplastic enclosure
- Design to EN 50047
- EnOcean® wireless technology
- No power supply, no wiring and pipe laying required
- Easy programming of receiver
- Multi-network capable
- Output signal can be individually configured at the receiver
- Actuator: Adjustable rocking lever DS
- Lever angle adjustable in 10° steps
- Position of roller can be adjusted
- Wear-resistant plastic roller
- Actuator can be repositioned by 4 x 90°

Notes

- With metal roller available on request

Dimensions



Technical data

Applied standards	EN 60947-5-1, EN 61000-6-2, EN 61000-6-3, EN 61000-4-2, EN 61000-4-20, EN 301 489-1, EN 301 489-3, EN 300 220-1, EN 300 220-2
Enclosure	thermoplastic, glass-fibre reinforced, impact resistant, self-extinguishing UL 94 V-0
Cover	thermoplastic, glass-fibre reinforced, impact resistant, self-extinguishing UL 94 V-0
Tightening torque	enclosure mounting screws: 1.2 ... 1.3 Nm cover screws: 0.5 ... 0.6 Nm
Degree of protection	IP 67 to IEC/EN 60529
Protocol	EnOcean®
Frequency	868.3 MHz (Europe)
Transmission power	< 25 mW
Data rate	120 kbps
Channel bandwidth	530 kHz
Voltage supply	electrodynamical energy generator
Ambient temperature	-20 °C ... +65 °C
Operation cycles	approx. 9000 telegrams with repetitions/h
Wireless range	max. 200 m outside, max. 20 m inside
Mechanical life	> 1 million operations
Actuating time	min. 80 ms
Wireless approvals	Europe: RED 2014/53/EU

Errors and omissions excepted.



Wireless position switch

RF 95 DS EN868

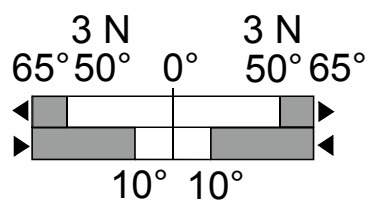
Material number: 1181110 (Material number old: 95929001)

Technical data

Note

no status signal available

Switching diagram





SCATTERGOOD & JOHNSON LTD

ELECTRICAL ENGINEERING & FLUID CONTROL DISTRIBUTORS

Est.1899

At Scattergood & Johnson Ltd, we pride ourselves on being a technical distributor to specialist industries.

Working with a range of quality product suppliers across a number of specialist markets, we are not your average 'box shifter' - we are your technical and supply chain partner.

We fully support every product we sell - for free! Our internal team and external sales engineers can answer any product or application question, no matter the complexity.

Backing up this technical ability is a range of 50,000+ products available from stock for nationwide next day delivery (same day if required!), or you can collect what you need from any of our trade counters around the UK.

Select your specialist interest below to learn more about how we can help.



Online, In Branch and On the Road - Scattergood & Johnson Ltd, there when you need us.

www.scatts.co.uk