



## Wireless receiver

### RF Rx EN868-2W 24 VAC/DC

Material number: 1187216 (Material number old: 90590012)

#### Features/Options:

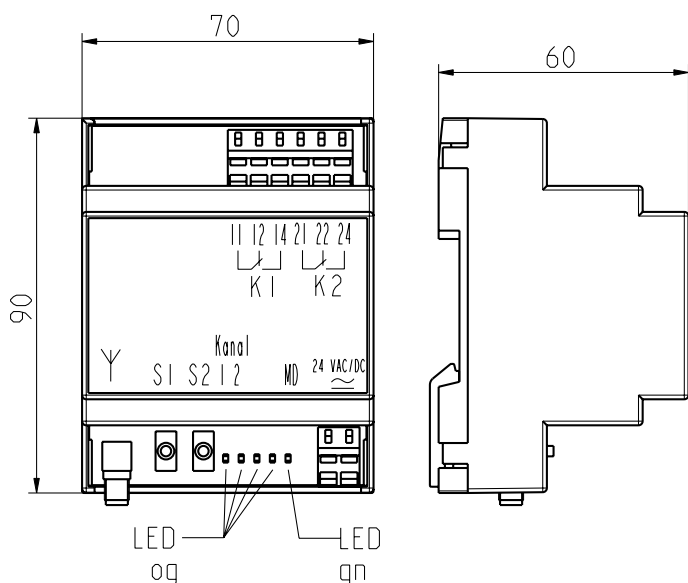
- EnOcean® wireless technology
- 2 potential-free relay outputs
- 2 change-over contacts, max. 6 A

#### Notes

- External antenna always required for optimum wireless range

- Transmitter/receiver assignment by teaching mode
- LEDs for indication of switching state
- SMA plug-in connector for external antenna

#### Dimensions



#### Technical data

|   |  |
|---|--|
| Applied standards                         | EN 60947-5-1, EN 61000-6-2, EN 61000-6-3, EN 61000-4-2, EN 61000-4-20, EN 61000-4-4, EN 61000-4-5, EN 61000-4-6, EN 60068-2-6, EN 60068-2-27, EN 301 489-1, EN 301 489-3, EN 300 220-1, EN 300 220-2 |
| Degree of protection                      | IP 20 to IEC/EN 60529  |
| Frequency                                 | 868.3 MHz (Europe)   |
| Number of channels                        | 2  |
| Mounting                                  | DIN rail mounting  |
| Connection                                | terminals with CAGE CLAMP WAGO Series 236: 0.08 ... 2.5 mm <sup>2</sup> / AWG 28-12, AWG 12: THHN, THWN, stripping length 5 ... 6 mm / 0.22 in   |
| Inputs                                    | 2 wireless channels, max. 10 transmitters per channel  |
| Outputs                                   | 2 change-over contacts (relays)  |
| Rated operating current/voltage $I_e/U_e$ | max. 0.1 A/24 VDC -15 % ... +10 %;<br>max. 0.25 A/24 VAC -15 % ... +10 %;<br>output contacts: 6 A/250 VAC; 2 A/24 VDC  |
| Utilisation category                      | AC-15; DC-13   |
| Rated operating isolation voltage $U_i$   | 250 VAC  |
| Rated impulse withstand voltage $U_{imp}$ | 2.5 kV   |
| Display                                   | green LED: ready for operation, orange LED: signalling of switching state  |
| Operation cycles                          | approx. 9000 telegrams with repetitions/h  |
| Degree of pollution                       | 2  |

Errors and omissions excepted.



## Wireless receiver

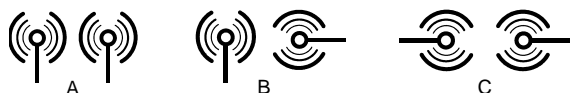
RF Rx EN868-2W 24 VAC/DC

Material number: 1187216 (Material number old: 90590012)

### Technical data

|                                  |   |
|----------------------------------|---|
| Ambient temperature              | 0 °C ... +55 °C   |
| Storage and shipping temperature | -25 °C ... +85 °C   |
| Note                             | Inductive loads (contactors, relays etc.) are to be suppressed by suitable circuitry. |
| Wireless approvals               | Europe: RED 2014/53/EU  |
| Weight                           | 120 g   |

### Arrangement of receiver and switch antenna



A = Optimum mounting  
 B = Possible mounting  
 C = Unsuitable mounting

Note  
 Magnetic base antennae must be mounted on a metal plate of min. 250 x 250 mm size.



# SCATTERGOOD & JOHNSON LTD

ELECTRICAL ENGINEERING & FLUID CONTROL DISTRIBUTORS

Est.1899

At Scattergood & Johnson Ltd, we pride ourselves on being a technical distributor to specialist industries.

Working with a range of quality product suppliers across a number of specialist markets, we are not your average 'box shifter' - we are your technical and supply chain partner.

We fully support every product we sell - for free! Our internal team and external sales engineers can answer any product or application question, no matter the complexity.

Backing up this technical ability is a range of 50,000+ products available from stock for nationwide next day delivery (same day if required!), or you can collect what you need from any of our trade counters around the UK.

Select your specialist interest below to learn more about how we can help.



Online, In Branch and On the Road - Scattergood & Johnson Ltd, there when you need us.

# [www.scatts.co.uk](http://www.scatts.co.uk)