



## SERIES 1950G | EXPLOSION-PROOF DIFFERENTIAL PRESSURE SWITCH



### FEATURES/BENEFITS

- ATEX approved explosion proof for natural gas applications
- External set point screw provides easy access without opening or disassembling enclosure
- Easily accessible electrical connection simplifies the installation
- Isolated process chambers from electrical compartment

### APPLICATIONS

- Natural gas applications
- Process applications
- All-weather applications

### DESCRIPTION

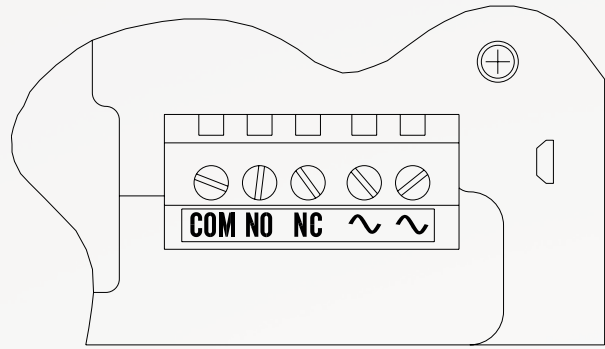
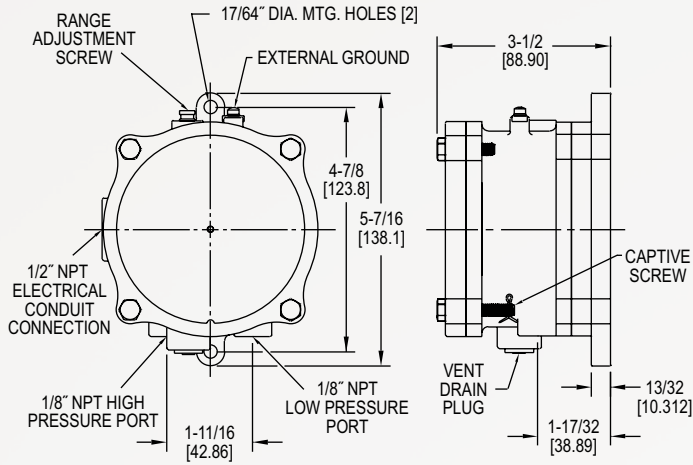
The **Series 1950G Explosion-Proof Differential Pressure Switch** combines the best features of the popular Dwyer® Series 1900 Pressure Switch with the benefit of natural gas compatibility. Units are rain-tight for outdoor installations, and are UL listed for use in Class I, Groups A, B, C, & D; Class II, Groups E, F, & G and Class III atmospheres, Directive 2014/34/EU (ATEX) Compliant for **CE 2813 Ex II 2G Ex db IIB+H2 T6**, CSA & FM approved for Class I, Div. 1, Groups B, C, D; Class II, Div. 1, Groups E, F, G and Class III atmospheres, and IECEx Ex db IIB+H2 T6 (-40°C<Ta<+60°C). The 1950G is very compact, about half the weight and bulk of equivalent conventional explosion-proof switches. Easy access to the SPDT relay and power supply terminals is provided by removing the top plate of the aluminum housing. A supply voltage of 24 VDC, 120 or 240 VAC is required. A captive screw allows the cover to swing aside while remaining attached to the unit. Adjustment to the set point of the switch can be made without disassembly of the housing.

### SPECIFICATIONS

<b>Service</b>	Air and compatible combustible gases.
<b>Wetted Materials</b>	Consult factory.
<b>Temperature Limits</b>	0 to 140°F (-17 to 60°C). <b>Note:</b> Set point drift may occur with ambient temperature changes.
<b>Pressure Limits (Continuous)</b>	45 in w.c. (11.2 kPa) continuous; 10 psig (68.95 kPa) surge.
<b>Enclosure Rating</b>	NEMA 3 (IP54), NEMA 7 & 9.
<b>Switch Type</b>	1 form C relay (SPDT).
<b>Electrical Rating</b>	10 A, 120/240 VAC, 28 VDC. Resistive 50 mA, 125 VDC.
<b>Power Requirements</b>	24 VDC ±10%. 120 or 240 VAC ±10% optional.
<b>Electrical Connections</b>	Internal terminal block.
<b>Process Connections</b>	1/8" female NPT.
<b>Mounting Orientation</b>	Diaphragm in vertical position. Consult factory for other position orientations.
<b>Set Point Adjustment</b>	Screw type on top of housing.
<b>Weight</b>	2 lb 15.7 oz (1.35 kg).
<b>Agency Approvals</b>	ATEX, CE, CSA, FM, IECEx, UL.

**DIMENSIONS**

**WIRING DIAGRAM**



**HOW TO ORDER**

Use the **bold** characters from the chart below to construct a product code.

<p><b>SERIES</b></p> <p><b>1950G:</b> Explosion-proof differential pressure switch</p> <p><b>RANGE</b></p> <p><b>-00:</b> 0.07-0.15 in w.c.  <b>-0:</b> 0.15-0.5 in w.c.  <b>-1:</b> 0.4-1.6 in w.c.  <b>-5:</b> 1.5-5.5 in w.c.  <b>-10:</b> 3.0-11.0 in w.c.  <b>-20:</b> 4.0-20.0 in w.c.</p> <p><b>DIAPHRAGM</b></p> <p><b>-B:</b> Buna-N</p>	<p><b>1950G</b>   <b>-00</b>   <b>-B</b>   <b>-120</b>   <b>-AT</b></p>	<p><b>OPTIONS</b></p> <p><b>-AT:</b> Aluminum tag  <b>-NA:</b> Non-ATEX approved units  <b>-PRESET:</b> Preset  <b>-ST:</b> Stainless steel tag</p> <p><b>INPUT VOLTAGE SUPPLY</b></p> <p><b>-120:</b> 120 VAC (standard)  <b>-240:</b> 240 VAC  <b>-24:</b> 24 VDC</p>
---	---	---

**ORDER ONLINE TODAY!**

[dwyer-inst.com/Product/Series1950G](http://dwyer-inst.com/Product/Series1950G)



**DWYER INSTRUMENTS, INC.**

©Copyright 2020 Dwyer Instruments, Inc.  
 Printed in U.S.A. 8/20

DS-1950G Rev. 1

Important Notice: Dwyer Instruments, Inc. reserves the right to make changes to or discontinue any product or service identified in this publication without notice. Dwyer advises its customers to obtain the latest version of the relevant information to verify, before placing any orders, that the information being relied upon is current.



# SCATTERGOOD & JOHNSON LTD

ELECTRICAL ENGINEERING & FLUID CONTROL DISTRIBUTORS

Est.1899

At Scattergood & Johnson Ltd, we pride ourselves on being a technical distributor to specialist industries.

Working with a range of quality product suppliers across a number of specialist markets, we are not your average 'box shifter' - we are your technical and supply chain partner.

We fully support every product we sell - for free! Our internal team and external sales engineers can answer any product or application question, no matter the complexity.

Backing up this technical ability is a range of 50,000+ products available from stock for nationwide next day delivery (same day if required!), or you can collect what you need from any of our trade counters around the UK.

Select your specialist interest below to learn more about how we can help.



Online, In Branch and On the Road - Scattergood & Johnson Ltd, there when you need us.

# [www.scatts.co.uk](http://www.scatts.co.uk)