

## SERIES 2000-HA | HIGH ACCURACY MAGNEHELIC® DIFFERENTIAL PRESSURE GAGE

### FEATURES/BENEFITS

- Accurate within 1%
- Mirrored scale overlay eliminates parallax error
- Six point calibration certificate included
- IP67 - Fully protects against dust and immersion
- Optional corrosion resistant brushed 304 SS bezel

### APPLICATIONS

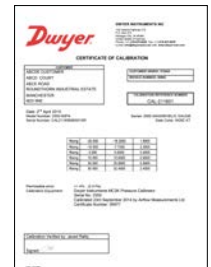
- Clean room positive pressure indication
- Filter monitoring
- Air velocity with Dwyer pitot tube
- Blower vacuum monitoring
- Fan pressure indication
- Duct, room, or building pressures



Note: Shown with optional -SS bezel

### DESCRIPTION

The **SERIES 2000-HA** High Accuracy Magnehelic® Gage is twice as accurate as the standard Magnehelic® gage. The well-engineered High Accuracy Magnehelic® Gage offers a mirrored overlay as standard in order to eliminate any parallax error when taking measurements. A six point calibration certificate is included with each high accuracy model. The rugged IP67 casing helps fully protect against dust and water ingress. The redesigned corrosion resistant brushed 304 stainless steel bezel option offers a clean tapered design, yet minimizes the possibility of any dust accumulation on the edges.

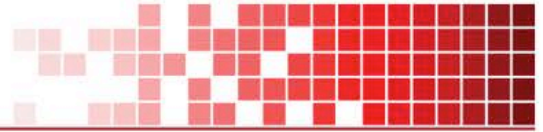


6-Point Calibration Certificate Included

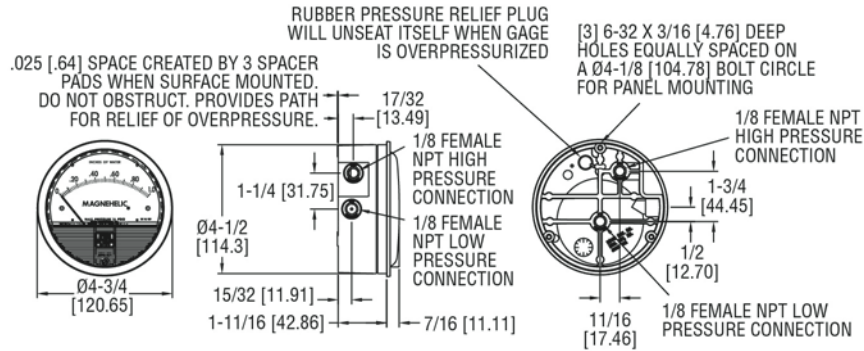
### SPECIFICATIONS

<b>Service</b>	Air and non-combustible, compatible gases (natural gas option available). <b>Note:</b> May be used with hydrogen. Order a Buna-N diaphragm. Pressures must be less than 35 psi.
<b>Wetted Materials</b>	Consult factory.
<b>Housing</b>	Die cast aluminum case and bezel with acrylic cover. Exterior finish is coated gray to withstand 168 hour salt spray corrosion test.
<b>Accuracy</b>	±1% FS (±1.5% on -0, -100PA, -125PA, -10MM and ±2% on -00, -60PA, -6MM ranges) throughout range at 70 °F (21.1 °C).
<b>Pressure Limits</b>	-20 in Hg to 15 psig (-0.677 bar to 1.034 bar).
<b>Overpressure</b>	Relief plug opens at approximately 25 psig (1.72 bar), standard gages only. See Overpressure Protection note on catalog page.
<b>Temperature Limits</b>	20 to 140 °F (-6.67 to 60 °C).
<b>Size</b>	4" (101.6 mm) diameter dial face.
<b>Mounting Orientation</b>	Diaphragm in vertical position. Consult factory for other position orientations.
<b>Process Connections</b>	1/8" female NPT duplicate high and low pressure taps – one pair side and one pair back.
<b>Weight</b>	1 lb 2 oz (510 g).
<b>Standard Accessories</b>	Two 1/8" NPT plugs for duplicate pressure taps, two 1/8" pipe thread to rubber tubing adapters, and three flush mounting adapters with screws.
<b>Agency Approvals</b>	Meets the technical requirements of EU Directive 2011/65/EU (RoHS II).





**DIMENSIONS**



**HOW TO ORDER**

Use the **bold** characters from the chart below to construct a product code

	<b>2001</b>	<b>-HA</b>	
<b>SERIES/RANGE*</b>			<b>OPTIONS*</b>
<b>in w.c./mm w.c.</b>			<b>-HA</b> - High accuracy scale
<b>2000-00</b> - 0-0.25 in w.c.	<b>2000-60NPA</b> - 10-0-50 Pa	<b>2000-1KPA</b> - 0-1 kPa	<b>-SS</b> - Brushed 304 stainless steel bezel
<b>2000-00N</b> - 0.5-0-0.2 in w.c.	<b>2000-60PA</b> - 0-60 Pa	<b>2000-1.5KPA</b> - 0-1.5 kPa	
<b>2000-0</b> - 0-0.5 in w.c.	<b>2000-100PA</b> - 0-100 Pa	<b>2000-2KPA</b> - 0-2 kPa	
<b>2001</b> - 0-1 in w.c.	<b>2000-125PA</b> - 0-125 Pa	<b>2000-3KPA</b> - 0-3 kPa	
<b>2002</b> - 0-2 in w.c.	<b>2000-250PA</b> - 0-250 Pa		
<b>2003</b> - 0-3 in w.c.	<b>2000-300PA</b> - 0-300 Pa		
<b>2004</b> - 0-4 in w.c.	<b>2000-500PA</b> - 0-500 Pa		
<b>2006</b> - 0-6 in w.c.	<b>2300-60PA</b> - 30-0-30 Pa		
<b>2010</b> - 0-10 in w.c.	<b>2300-100PA</b> - 50-0-50 Pa		
<b>2000-6MM</b> - 0-6 mm w.c.	<b>2300-120PA</b> - 60-0-60 Pa		
<b>2000-50MM</b> - 0-50 mm w.c.			
<b>2300-12MM</b> - 6-0-6 mm w.c.			

\*Only our most popular models and options are listed. For additional available models, please visit: <https://www.dwyer-inst.com/Product/Pressure/DifferentialPressure/Gages/Series2000>

Important Notice: Dwyer Instruments, Inc. reserves the right to make changes to or discontinue any product or service identified in this publication without notice. Dwyer advises its customers to obtain the latest version of the relevant information to verify, before placing any orders, that the information being relied upon is current.





# SCATTERGOOD & JOHNSON LTD

ELECTRICAL ENGINEERING & FLUID CONTROL DISTRIBUTORS

Est.1899

At Scattergood & Johnson Ltd, we pride ourselves on being a technical distributor to specialist industries.

Working with a range of quality product suppliers across a number of specialist markets, we are not your average 'box shifter' - we are your technical and supply chain partner.

We fully support every product we sell - for free! Our internal team and external sales engineers can answer any product or application question, no matter the complexity.

Backing up this technical ability is a range of 50,000+ products available from stock for nationwide next day delivery (same day if required!), or you can collect what you need from any of our trade counters around the UK.

Select your specialist interest below to learn more about how we can help.



Online, In Branch and On the Road - Scattergood & Johnson Ltd, there when you need us.

# [www.scatts.co.uk](http://www.scatts.co.uk)