



SCOTIA_{EX}

Ex db LED Floodlight

The **Scotia_{EX}** is a low energy luminaire with an instant on output delivering 110,000 maintenance free hours at 25°C.

Its excellent temperature range of -50°C to +55°C makes it a global lighting solution providing high output lighting at extreme temperatures.



Mounting Options

Floodlight. Pendant. High Bay. Pole/Column. Streetlighting.

Standard Specification

ScotiaEx Ex db LED Floodlight

Type of Protection	Ex db eb (Flameproof, Increased Safety) Ex tb (Dust Protected Enclosure)
ATEX Classification	Group II Category 2 GD
Area Classification	Zone 1 and Zone 21 areas to EN 60079-10-1 and EN 60079-10-2 with installation to EN 60079-14 (Gas Groups IIA, IIB and H2)
Certificate	EU Type Examination Certificate CML 14ATEX1086X IECEX Certificate of Conformity IECEX CML 14.0034X
Coding	Ex db eb IIB (+ H2 option) T* Gb Ex tb IIIC T** °C Db IP6X Refer to table for T rating and Ambient
Enclosure	Aluminium Alloy LM6
Entry	2 x M20 cable entries
Termination	3 core 6mm ² max. conductor with looping
Installation	Stirrup mounting bracket
Control Gear	Electronic Driver
Colour Temperature (CCT)	5000K (Cool White)
Colour Rendering Index (Ra)	>70
Maintenance	M8 SKT HD Screws
Ingress Protection	IP66
Surge Protection	4kV line to line, 6kV line to earth
Electrical Supply	120-277V AC 50/60Hz 127-250V DC

Features

- ◆ Highly **Energy Efficient**
- ◆ **Instant on** crisp white light output
- ◆ **Lower power consumption** than HID lamps
- ◆ Low temperature applications **to -50°C**
- ◆ **110,000 maintenance free hours** at 25°C

Std. Cat No.	Delivered Output	Power Consumption	Tclass	T°C (Dust)	Ambient °C	Weight
SCOD/07L/LE	7519 lm	78W	T6 T5	85 100	-20 to +40 -20 to +55	21kg
SCOD/08L/LE	8984 lm	99W	T6 T5	85 100	-20 to +40 -20 to +55	21kg
SCOD/11L/LE	10357 lm	106W	T6 T5	85 100	-20 to +40 -20 to +55	21kg
SCOD/12L/LE	11727 lm	132W	T6 T5	85 100	-20 to +40 -20 to +55	21kg

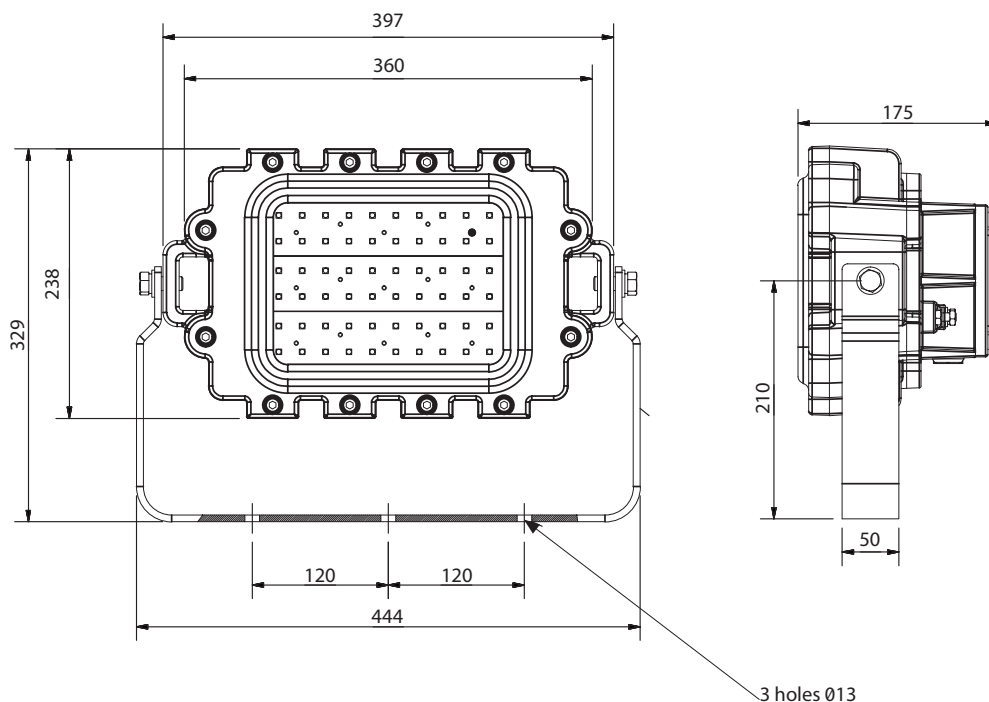
Options - Suffix to Catalogue No.

/M25	M25 Cable Entries	/LT	Low temperature to -50°C (Gas groups IIA and IIB only)
/ADE	Amber LEDs (07L or 08L only)	/LT/H2	Low temperature to -50°C (Gas groups IIB and H2*)
/ESH	Taller (+100mm) stirrup bracket	/P	Marine grade polyester paint coating (RAL 7043)

* H2 = Hydrogen

Accessories *Accessories should be ordered separately*

	Order Code
Wire Guard	SSCO1-0001
Anti Glare Shield	SSCO1-0002
Pole Mounting Bracket Assembly	SEVO4-0001
Crane Damper Bracket	SSCO1-00009





SCATTERGOOD & JOHNSON LTD

ELECTRICAL ENGINEERING & FLUID CONTROL DISTRIBUTORS

Est.1899

At Scattergood & Johnson Ltd, we pride ourselves on being a technical distributor to specialist industries.

Working with a range of quality product suppliers across a number of specialist markets, we are not your average 'box shifter' - we are your technical and supply chain partner.

We fully support every product we sell - for free! Our internal team and external sales engineers can answer any product or application question, no matter the complexity.

Backing up this technical ability is a range of 50,000+ products available from stock for nationwide next day delivery (same day if required!), or you can collect what you need from any of our trade counters around the UK.

Select your specialist interest below to learn more about how we can help.



Online, In Branch and On the Road - Scattergood & Johnson Ltd, there when you need us.

www.scatts.co.uk