



NexLED

Ex e LED Bulkhead

The **NexLED** luminaire delivers an instant bright white light. Designed for low profile applications, the bulkhead can be mounted on walls, handrails and ceilings making it ideal for walkways or restricted height areas. Its excellent temperature range of -45°C to +55°C makes it a global lighting solution providing high quality lighting at extreme temperatures. Green LED option is also available.

The NexLED emergency option provides emergency battery backup to ensure continued operation in the event of a power outage. Benefits from the same features as the standard NexLED and is also available as a low temperature version for operation down to -45°C.



International Approvals

Mounting Options

Ceiling. Wall. Recessed. Pole/Stanchion. Bulkhead.

Standard Specification

NexLED Ex e LED Bulkhead

Type of Protection	Ex e mb (Increased Safety, Encapsulation) Ex tb (Dust Protected Enclosure)
ATEX Classification	Group II Category 2 GD
Area Classification	Zone 1 and 21 areas to EN 60079-10-1 and EN 60079-10-2 with installation to EN 60079-14
Certificate	EC Type Examination Certificate Baseefa04ATEX0245 IECEX Certificate of Conformity IECEX BAS09.0062
Coding	Ex e mb IIC T4 Gb Ex tb IIIC T95°C Db IP6X Ex de IIC T4 [24V version - ATEX only]**
Enclosure	Aluminium LM6 body, RAL-9005 black epoxy polyester paint finish with toughened glass and silicone gasket
Reflector	Brushed Aluminium
Entry	3 x M20 cable entries
Termination	3 core 4mm ² max conductor with looping [4 core on emergency]
Installation	Surface mounted, 4 mounting holes located outside seal
Control Gear	Electronic Driver
Colour Temperature (CCT)	4000K (Neutral White)
Colour Rendering Index (Ra)	>65
Maintenance	M6 Slotted Screws
Battery	Internal Ni-Cd (4.8V 4Ah) [Emergency only]
Emergency Duration	801 version = 90 mins, 201 version = 3 hours (100% output)
Ingress Protection	IP66/67 to EN 60529
Surge Protection	4kV
Electrical Supply	110-254V AC/DC 50/60Hz

Features

- ◆ Highly **Energy Efficient**
- ◆ **Very low** power consumption
- ◆ **Easy** to install and maintain
- ◆ Highly visible, **instant light**
- ◆ Installation to gas groups **IIA, IIB and IIC**
- ◆ **Ultra long life** no re-lamping required
- ◆ Over **60,000 hours*** continuous operation

* 60,000 hours expected at 40°C ambient (L70/B10)

Std. Cat No.	Delivered Output	Power Consumption	Tclass	T°C (Dust)	Ambient °C	Weight
NELE/201/LE	123 lm	5W	T4	95	-45 to +55	4.0kg
NELE/401/LE/24**	247 lm	8W	T4	95	-45 to +55	4.1kg
NELE/801/LE	464 lm	10W	T4	95	-45 to +55	4.1kg
NELE/201/LE/EM	123 lm	7W	T4	95	-20 to +55	4.7kg
NELE/801/LE/EM	464 lm	12W	T4	95	-20 to +55	4.7kg

Note: **24V Supply is for ATEX only

Options - Suffix to Catalogue No.

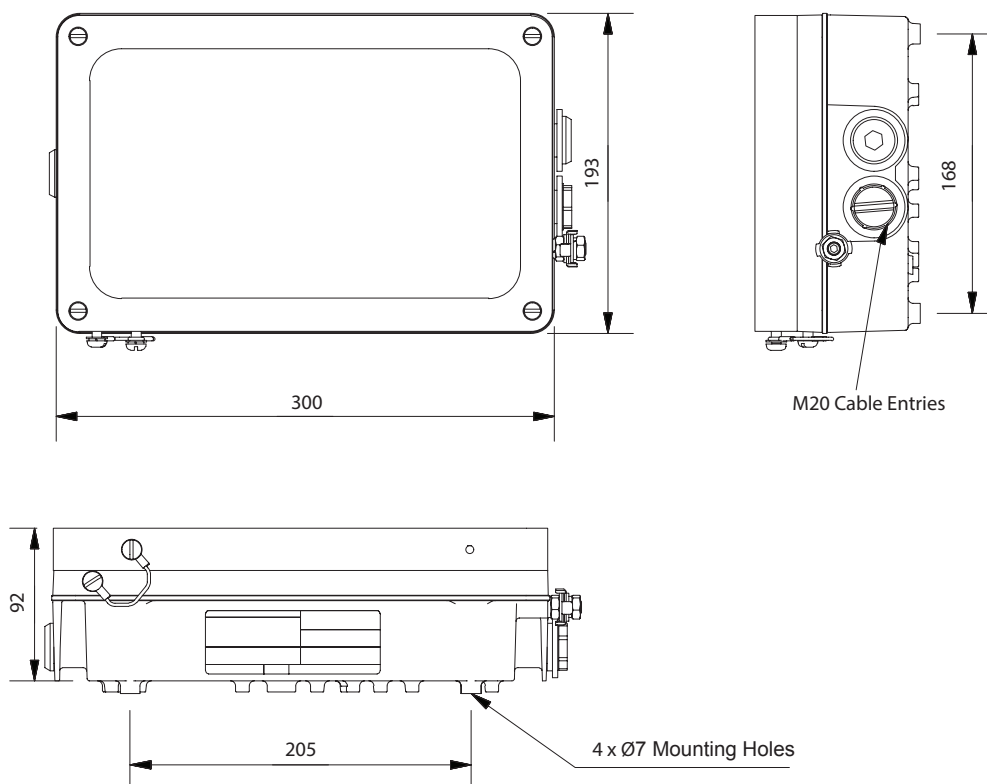
/GDE	Green LED's (should not be used in combination with Exit sign)	/GIS	Geartray isolation switch (Gas coding becomes - Ex d e mb IIC)
/LT	Low temperature to -45° [Emergency] (Gas coding becomes - Ex e ib mb IIC)		

Accessories *Accessories should be ordered separately*

Order Code

Standard Exit Sign Kit (supplied with up, down, left and right labels*)	SNEL1-0008
Canadian Exit Sign Kit (supplied with up, down, left and right labels*)	SNEL1-100272

* Refer to NexLED Exit Kit page for further information. Other signage options available upon request, please contact Chalmit Internal sales.



CHDS-NexLED-Z1-V2 February 2020



Product design and specifications are subject to change without notice. Please check the Chalmit website for latest specifications.

www.chalmit.com



Harsh & Hazardous



SCATTERGOOD & JOHNSON LTD

ELECTRICAL ENGINEERING & FLUID CONTROL DISTRIBUTORS

Est.1899

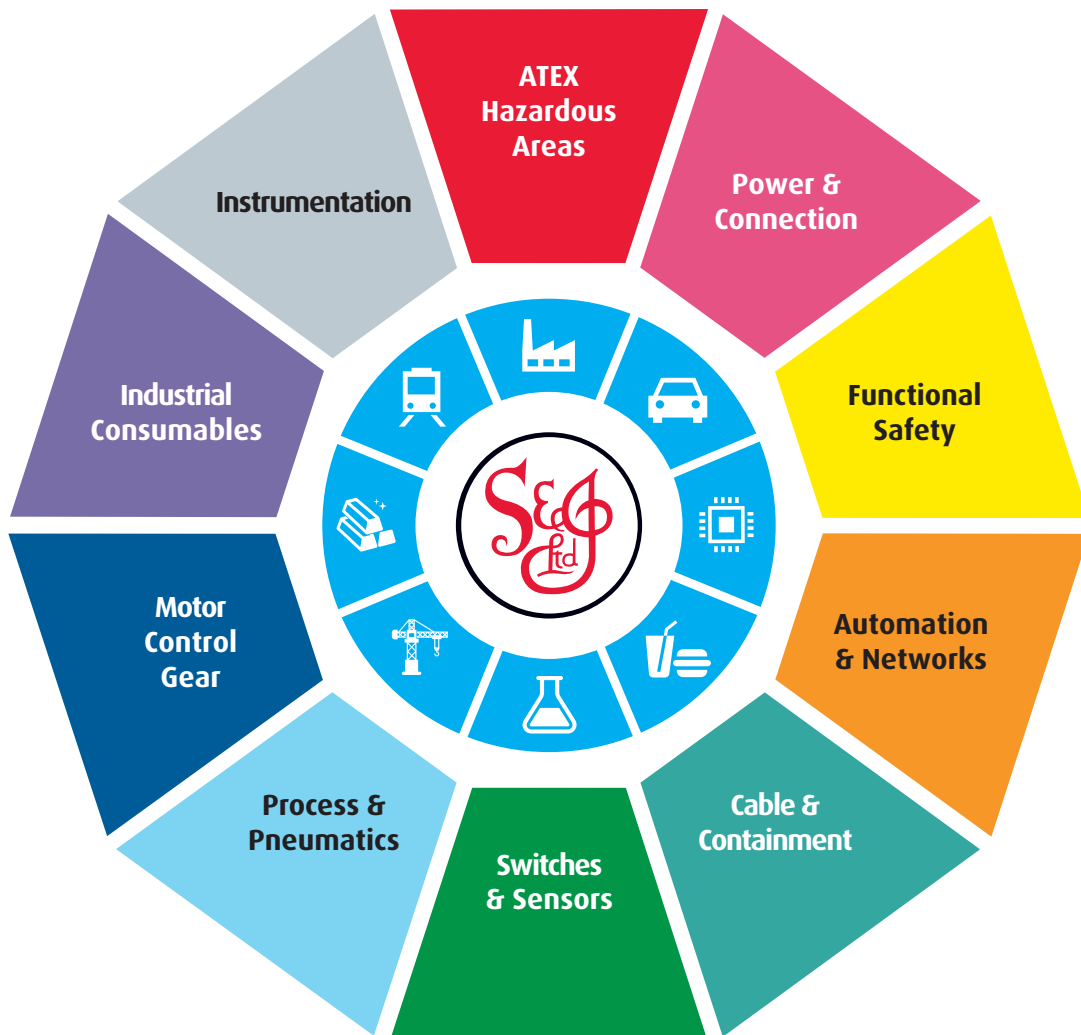
At Scattergood & Johnson Ltd, we pride ourselves on being a technical distributor to specialist industries.

Working with a range of quality product suppliers across a number of specialist markets, we are not your average 'box shifter' - we are your technical and supply chain partner.

We fully support every product we sell - for free! Our internal team and external sales engineers can answer any product or application question, no matter the complexity.

Backing up this technical ability is a range of 50,000+ products available from stock for nationwide next day delivery (same day if required!), or you can collect what you need from any of our trade counters around the UK.

Select your specialist interest below to learn more about how we can help.



Online, In Branch and On the Road - Scattergood & Johnson Ltd, there when you need us.

www.scatts.co.uk