



PROTECTA III

Ex e LED Linear

The **Protecta III** LED linear delivers to the Industry unparalleled performance and photometry bringing forward all the recognised benefits of the Protecta range; a proven robust enclosure, excellent IP and low maintenance features which are key to the oil and gas industry.

Expected useful life to 70% of the initial lumens (L70) is a market leading 120,000 hours at 25°C. With fully replaceable LED strips and driver we deliver a unique product with effective long term maintenance capability.



Mounting Options

Ceiling. Wall. Suspended. Pole.

Standard Specification

Protecta III Ex e LED Linear

Type of Protection	Ex e mb q (Increased Safety, Encapsulation, Powder filling) Ex tb (Dust Protected Enclosure)
ATEX Classification	Group II Category 2 GD
Area Classification	Zone 1 and 21 areas to EN 60079-10-1 and EN 60079-10-2 with installation to EN 60079-14
Certificate	EU Type Examination Certificate Baseefa04ATEX0220 IECEx Certificate of Conformity IECEx BAS09.0017
Coding	Ex e mb op is q IIC T4 Gb Ex mb op is tb IIIC T95°C Db IP6X
Enclosure	GRP body with polycarbonate cover
Geartray	Galvanised Steel
Entry	4 x M20 cable entries - 2 at each end
Termination	3 core 4mm ² max conductor with looping and 16A rating through wiring [4 core on Emergency]
Installation	2 x M8 tapped brass inserts located on the rear of the body
Control Gear	Electronic Driver
Colour Temperature (CCT)	6000K (Cool Daylight)
Colour Rendering Index (Ra)	>80
Maintenance	Quick release diffuser clamp and hinged cover
System Life	120,000hrs @ 25°C [excluding battery]
Battery	Internal Ni-Cd (6V) [Emergency version only]
Emergency Duration	90 mins (30% output)
Ingress Protection	IP66/67 to EN 60529
Surge Protection	4kV
Electrical Supply	220-254V AC, 50/60Hz

Features

- ◆ Highly **Energy Efficient**
- ◆ Full length **easy access** diffuser clamp
- ◆ **DTS-01** deluge tested
- ◆ **Screwless** mains terminals
- ◆ **120,000 maintenance free hours** at 25°C (L70)
- ◆ **Retrofit** geartray available

Std. Cat No.	Delivered Output	Power Consumption	Tclass	T°C (Dust)	Ambient °C	Weight
PRGE/02L/LE	2178 lm	32W	T4	95	-40 to +55	7.9kg
PRGE/05L/LE	4607 lm	62W	T4	95	-40 to +55	11.5kg
PRGE/02L/LE/EM	2178 lm	34W	T4	95	-25 to +55	8.9kg
PRGE/05L/LE/EM	4607 lm	65W	T4	95	-25 to +55	13.0kg

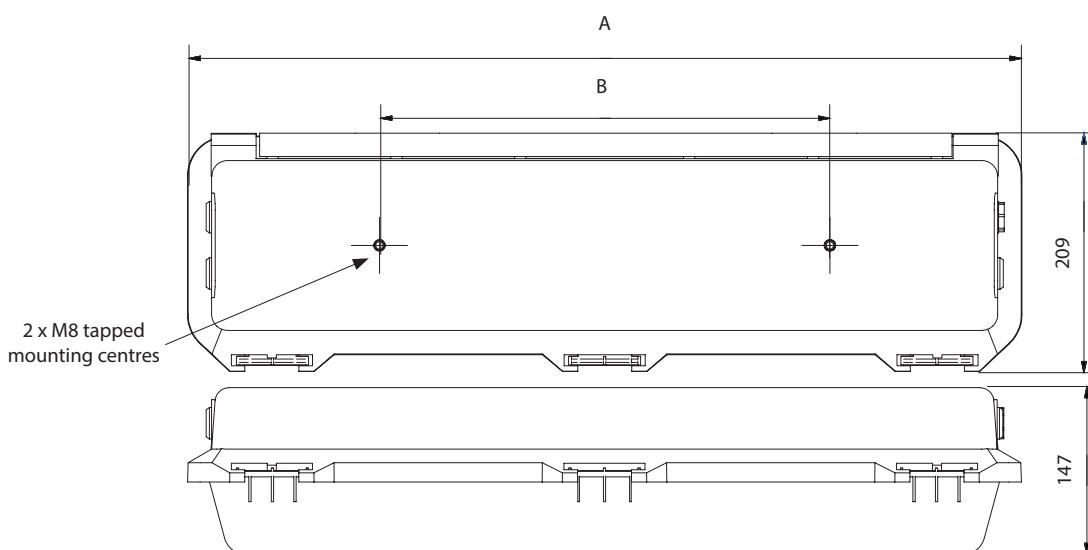
Note: Installed Protecta III fluorescents can be upgraded to LED by ordering Protecta Retrofit Geartray (see PRRE data sheet)

Options - Suffix to Catalogue No.	
/M25	M25 cable entries
/LBE	Looping both sides
/EL	Extra live termination facility (to match emergency circuit)
/OD	Opal diffuser cartridge (reduces maximum ambient to +45°C)
/GIS	Geartray isolation switch (Gas coding becomes - Ex d e mb q)
/120	Specific voltage (110-130V AC)
/SE	Spigot entry (standard model only)
/3H	3 hour battery duration (15% output)
/4K	4000K (Neutral White) LED Strips
/SC	Screwed connection terminal block (up to 6mm ² conductors)
/LT	Low temperature version (Emergency ambient becomes -40°C to +55°C)**
/LTT	Low temperature version with battery temperature regulator (Emergency ambient becomes -40°C to +45°C)
/BP	Nickel plated brass plugs (x3)
/MSB	Moulded-in stainless steel mounting bushes

** /LT is also optional on standard model to minimise ice build-up.

Accessories order separately

	Order Code
Pole mounting bracket assembly (38/42 diameter poles)	SPOL4-100001
Pole mounting bracket assembly (48/52 diameter poles)	SPOL4-100002
Pole mounting bracket assembly (58/62 diameter poles)	SPOL4-100003
Hook type ceiling bracket assembly	SPRO4-0005
Flush mounted wall bracket assembly	SPRO4-0006
Ceiling bracket assembly	SPRO4-0002
Standard 2ft wall mounting outreach bracket (use with SPOL4-100001)	NPRO4-0008
Standard 4ft wall mounting outreach bracket (use with SPOL4-100001)	NPRO4-0012
Eyebolt mounting assembly	SPRO5-0005



DIM	02L	05L
DIM A	742	1352
DIM B	400	700



SCATTERGOOD & JOHNSON LTD

ELECTRICAL ENGINEERING & FLUID CONTROL DISTRIBUTORS

Est.1899

At Scattergood & Johnson Ltd, we pride ourselves on being a technical distributor to specialist industries.

Working with a range of quality product suppliers across a number of specialist markets, we are not your average 'box shifter' - we are your technical and supply chain partner.

We fully support every product we sell - for free! Our internal team and external sales engineers can answer any product or application question, no matter the complexity.

Backing up this technical ability is a range of 50,000+ products available from stock for nationwide next day delivery (same day if required!), or you can collect what you need from any of our trade counters around the UK.

Select your specialist interest below to learn more about how we can help.



Online, In Branch and On the Road - Scattergood & Johnson Ltd, there when you need us.

www.scatts.co.uk