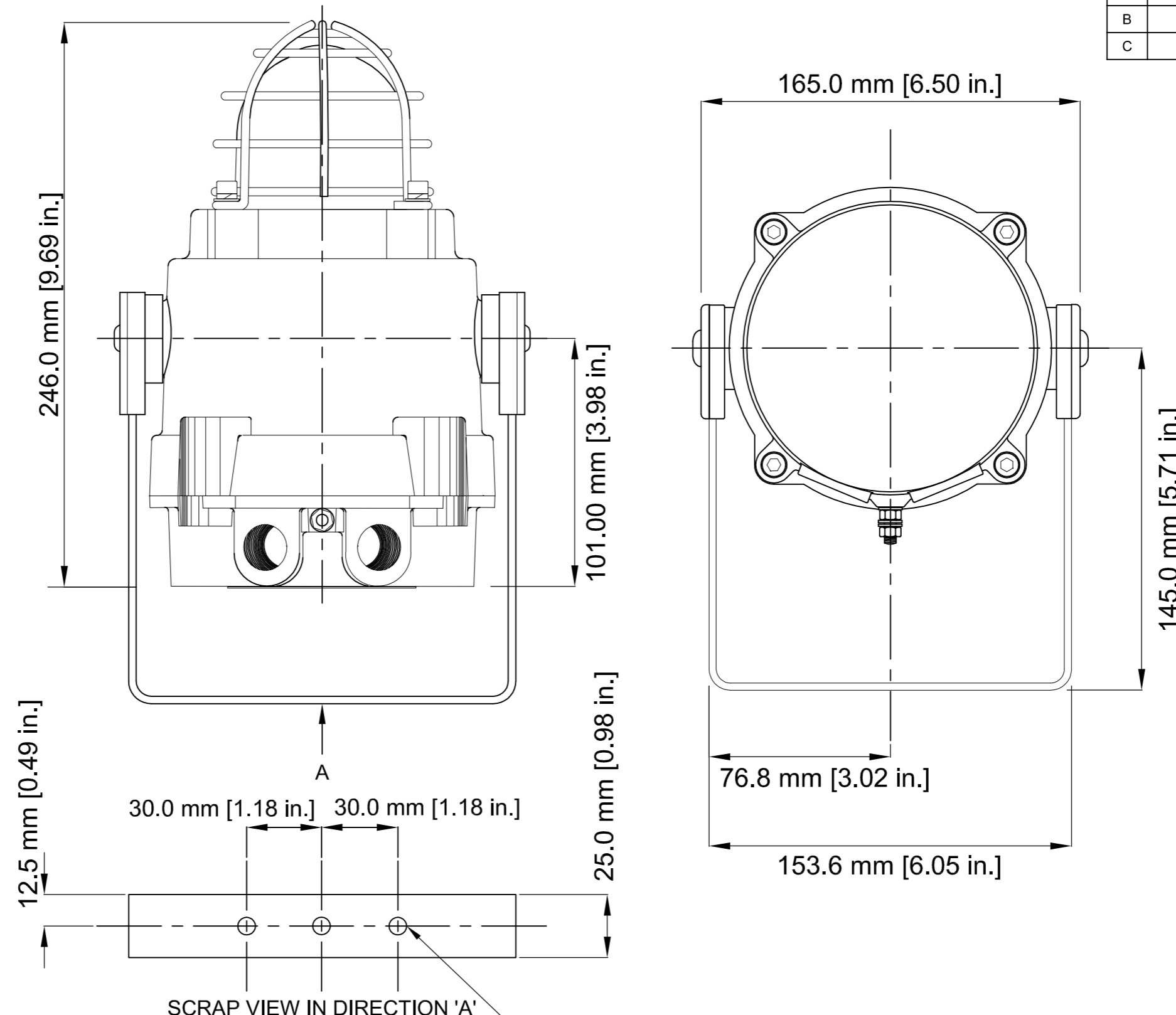


ISSUE	MOD No.	INITIAL/DATE
A		INTRODUCTION OF PART GU 28-08-09
B		SCRAP VIEW AND DIMENSIONS FOR BRACKET ADDED - GU 08-10-09
C		UPDATED TO DUAL DIMS. RSR 24-06-13



3 x Ø7mm [0.28 in.] dia.  
Mounting Holes

E2S PART NO.	DESCRIPTION	DATA REFERENCE
BExBG05...	BExBG05 XENON BEACON (Ex d VERSION)	1.21.110
BExBG10...	BExBG10 XENON BEACON (Ex d VERSION)	1.21.120
BExBG15...	BExBG15 XENON BEACON (Ex d VERSION)	1.21.130
BExBG21...	BExBG21 XENON BEACON	1.21.090
BExBGL1...	BExBGL1 LED BEACON	1.21.100
BExTBG05...	BExTBG05 ZONE 1, 2, 21 & 22 TELEPHONE BEACON	1.21.150

WHERE APPLICABLE '-UL' VERSIONS ARE COVERED BY THIS OUTLINE DRAWING.

DRAWING TO BS8888:2000 GEOMETRIC TOLERANCES TO ISO1101:1983 LINEAR DIMENSIONAL TOLS ANGULAR DIMENSIONAL TOLS	DRAWN G. UDOWICZENKO	DATE 26-08-09	SURFACE FINISH	WEIGHT (Kg)	THIS DRAWING AND ANY INFORMATION OR DESCRIPTIVE MATTER THEREIN IS COMMUNICATED IN CONFIDENCE AND IS THE COPYRIGHT PROPERTY OF EUROPEAN SAFETY SYSTEMS LTD. NEITHER THE WHOLE OR ANY EXTRACT MAY BE DISCLOSED, LOANED, COPIED OR USED FOR MANUFACTURING OR TENDERING PURPOSES WITHOUT THEIR WRITTEN CONSENT.	 warning signals EUROPEAN SAFETY SYSTEMS LTD IMPRESS HOUSE MANSELL ROAD ACTON LONDON W3 7QH WWW.E2S.COM	ALL DIMENSIONS IN MM IF IN DOUBT, ASK - DO NOT SCALE		A2
	CHECKED	DATE	MATERIAL	© EUROPEAN SAFETY SYSTEMS LTD. AS PER LATEST DATE OF ISSUE SHOWN ABOVE					
	APPROVED	DATE	ALTERNATIVE MATERIAL						
STANDARDS					TITLE <b>BExBG Ex d BEACON OUTLINE</b>	SCALE NTS	SHEET 1 OF 1	DRAWING NUMBER <b>SK0118</b>	



# SCATTERGOOD & JOHNSON LTD

ELECTRICAL ENGINEERING & FLUID CONTROL DISTRIBUTORS

Est.1899

At Scattergood & Johnson Ltd, we pride ourselves on being a technical distributor to specialist industries.

Working with a range of quality product suppliers across a number of specialist markets, we are not your average 'box shifter' - we are your technical and supply chain partner.

We fully support every product we sell - for free! Our internal team and external sales engineers can answer any product or application question, no matter the complexity.

Backing up this technical ability is a range of 50,000+ products available from stock for nationwide next day delivery (same day if required!), or you can collect what you need from any of our trade counters around the UK.

Select your specialist interest below to learn more about how we can help.



Online, In Branch and On the Road - Scattergood & Johnson Ltd, there when you need us.

# [www.scatts.co.uk](http://www.scatts.co.uk)