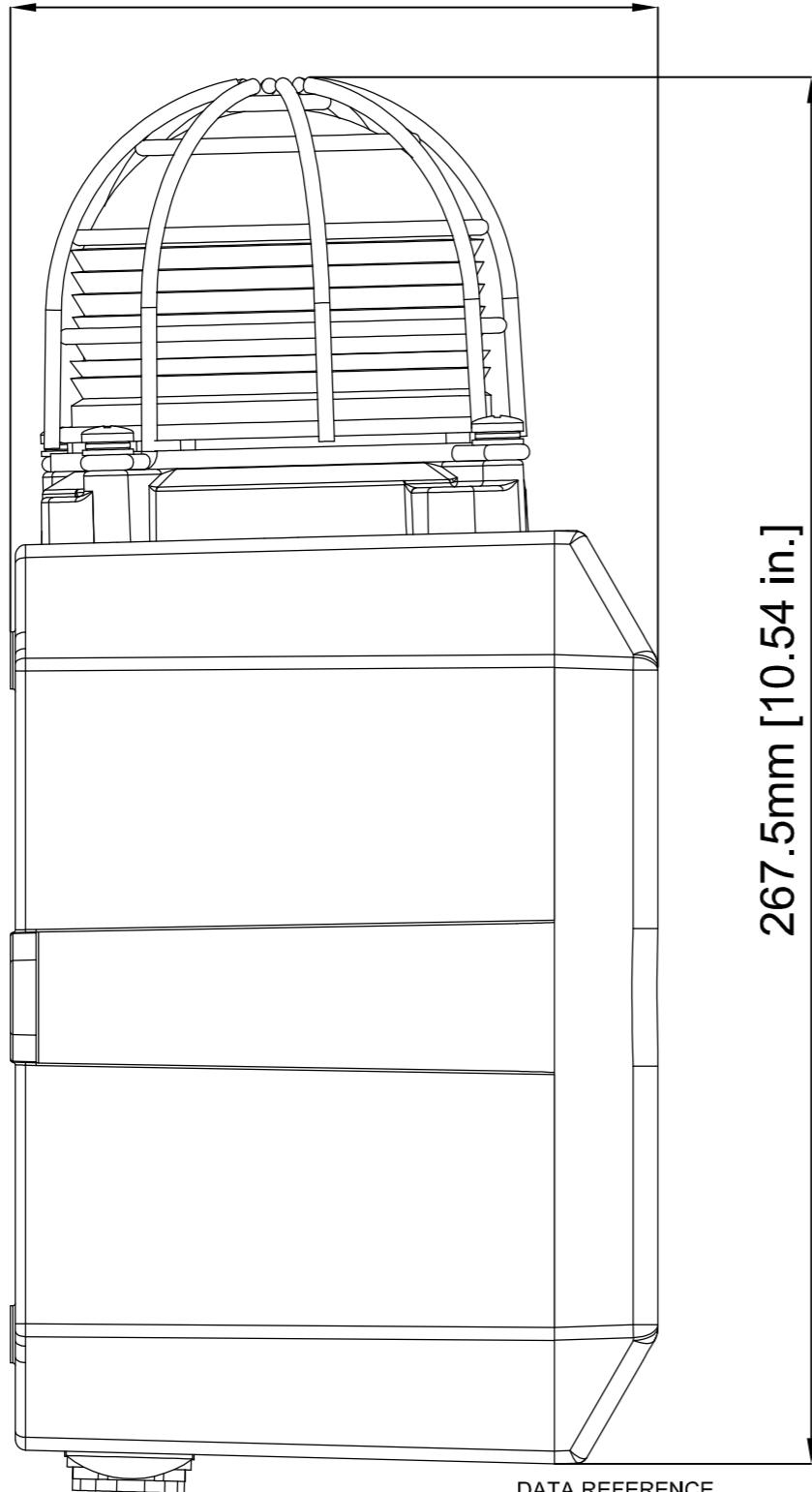
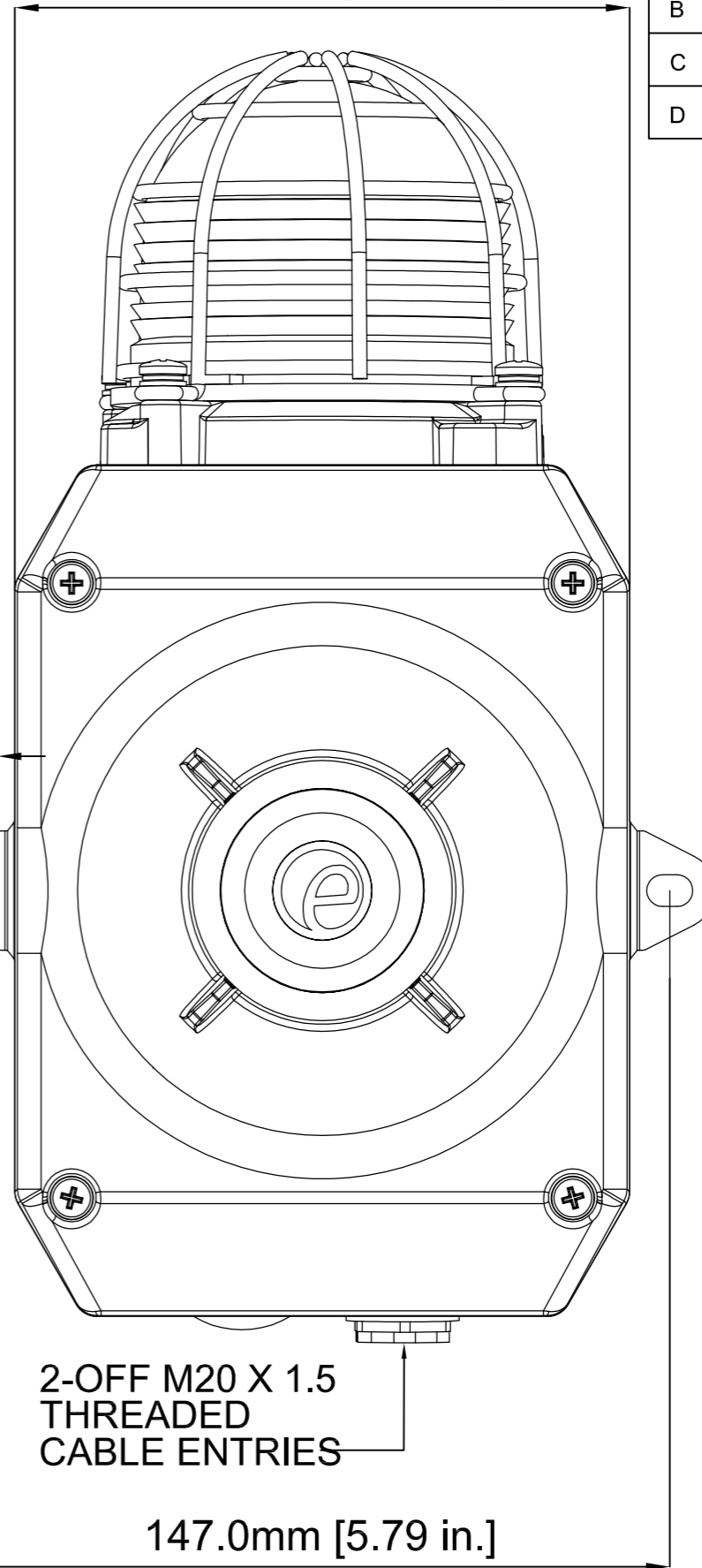


125.0mm [4.93 in.]



267.5mm [10.54 in.]

130.0mm [5.12 in.]



9.7mm [0.38 in.]

6.7mm [0.27 in.]

2-OFF M20 X 1.5  
THREADED  
CABLE ENTRIES

147.0mm [5.79 in.]

ISSUE	MOD No.	REASON - INITIAL - DATE
A		INTRODUCTION - RSR - 08/11/12
B		UPDATED TO DUAL DIMS. - RSR - 28/06/13
C		D2xS1 ADDED. - RSR - 05/09/13
D		D2xS1 REMOVED. - RSR - 08/04/14

E2S PART NO.	DESCRIPTION	DATA REFERENCE
DL105AXH...	DL105AXH APPELLO X RECORDABLE SOUNDER & LED BEACON	2.32.040
DL105AXX...	DL105AXX APPELLO X RECORDABLE SOUNDER & XENON BEACON	2.32.030
DL105H...	DL105H ALARM SOUNDER & LED BEACON	2.31.370
DL105X...	DL105X ALARM SOUNDER AND XENON BEACON	2.31.360
DL112H...	DL112H ALARM SOUNDER & LED BEACON	2.31.390
DL112X...	DL112X ALARM SOUNDER & XENON BEACON	2.31.380
IS-D105L...	DL105L INTRINSICALLY SAFE ALARM SOUNDER & LED BEACON	1.13.030

WHERE APPLICABLE '-UL' VERSIONS ARE COVERED BY THIS OUTLINE DRAWING.

DRAWING TO BS8888:2000 GEOMETRIC TOLERANCES TO ISO1101:1983 LINEAR DIMENSIONAL TOLS ANGULAR DIMENSIONAL TOLS	DRAWN <b>R.S.RAIT</b>	DATE <b>08/11/12</b>	SURFACE FINISH FINISH	WEIGHT (Kg)	THIS DRAWING AND ANY INFORMATION OR DESCRIPTIVE MATTER THEREIN IS COMMUNICATED IN CONFIDENCE AND IS THE COPYRIGHT PROPERTY OF EUROPEAN SAFETY SYSTEMS LTD. NEITHER THE WHOLE OR ANY EXTRACT MAY BE DISCLOSED, LOANED, COPIED OR USED FOR MANUFACTURING OR TENDERING PURPOSES WITHOUT THEIR WRITTEN CONSENT.	 EUROPEAN SAFETY SYSTEMS LTD IMPRESS HOUSE MANSELL ROAD ACTON LONDON W3 7QH WWW.E2S.COM	ALL DIMENSIONS IN MM IF IN DOUBT, ASK - DO NOT SCALE	 A2
	STANDARDS METAL SOUNDERS	CHECKED <b>R.N.POTTS</b>						
	APPROVED <b>R.N.POTTS</b>	DATE <b>08/11/12</b>	ALTERNATIVE MATERIAL					



# SCATTERGOOD & JOHNSON LTD

ELECTRICAL ENGINEERING & FLUID CONTROL DISTRIBUTORS

Est.1899

At Scattergood & Johnson Ltd, we pride ourselves on being a technical distributor to specialist industries.

Working with a range of quality product suppliers across a number of specialist markets, we are not your average 'box shifter' - we are your technical and supply chain partner.

We fully support every product we sell - for free! Our internal team and external sales engineers can answer any product or application question, no matter the complexity.

Backing up this technical ability is a range of 50,000+ products available from stock for nationwide next day delivery (same day if required!), or you can collect what you need from any of our trade counters around the UK.

Select your specialist interest below to learn more about how we can help.



Online, In Branch and On the Road - Scattergood & Johnson Ltd, there when you need us.

# [www.scatts.co.uk](http://www.scatts.co.uk)