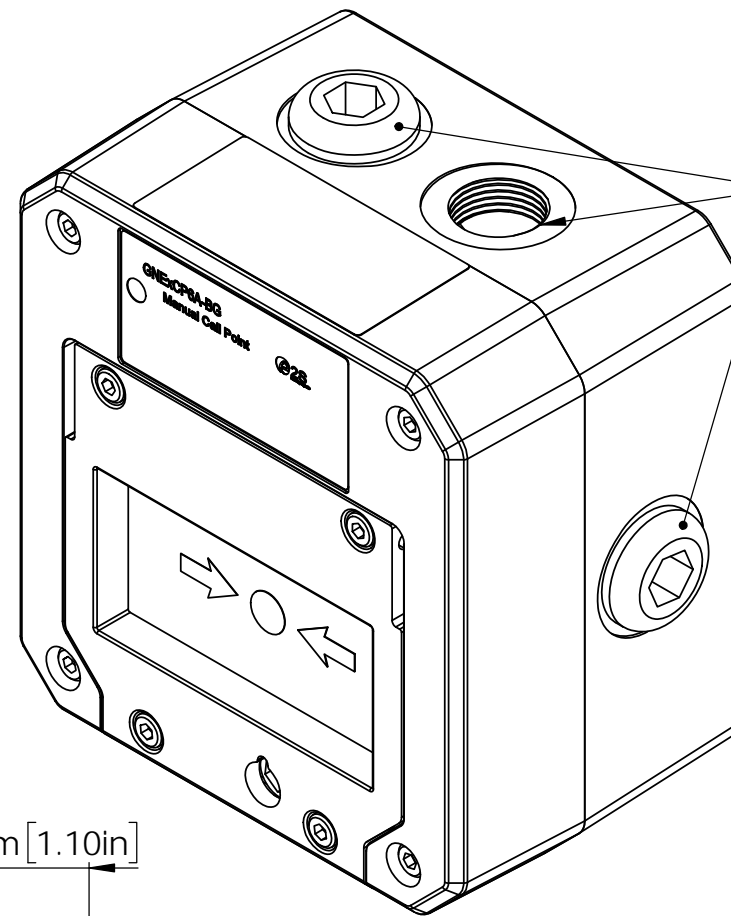
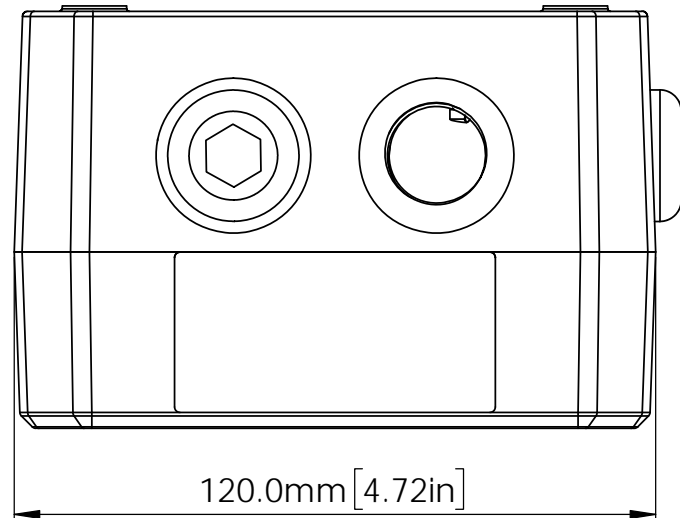


ISSUE	MOD No.	REASON - INITIAL - DATE
1		INTRODUCTION DAH - 03-02-2020

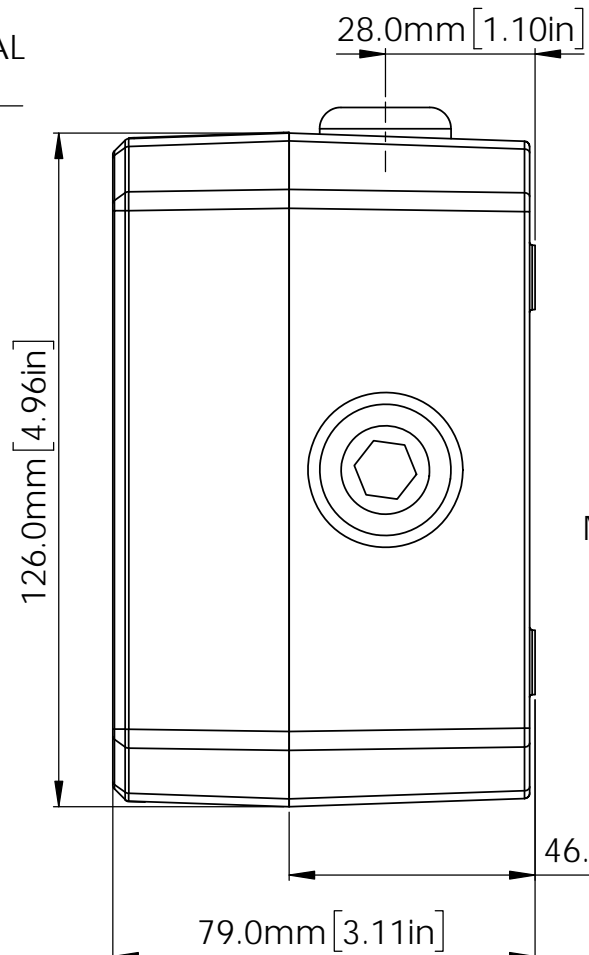
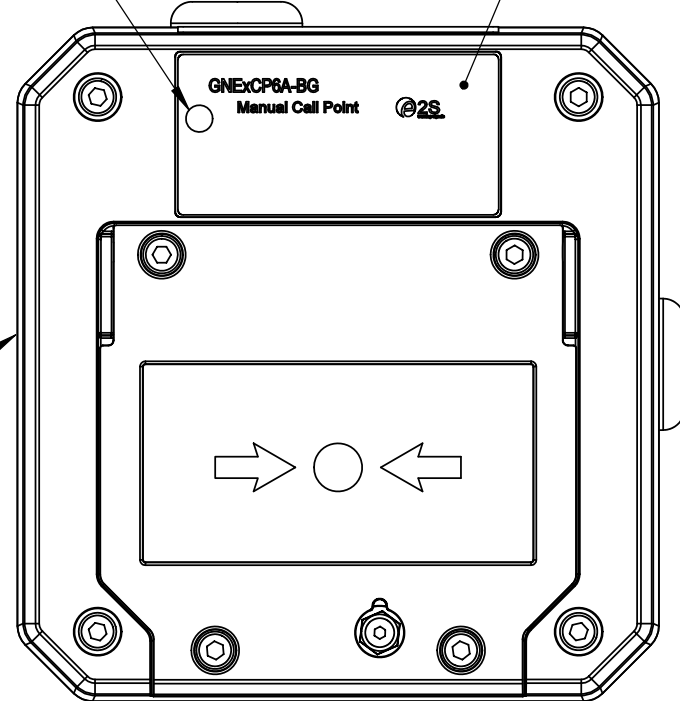
E2S PART NO.	DESCRIPTION	DATA REFERENCE
GNExCP6A-BG GNExCP6B-BG GNExCP6C-BG GNExCP6D-BG	GNExCP6-BG BREAK GLASS MANUAL CALL POINT	1.24.010



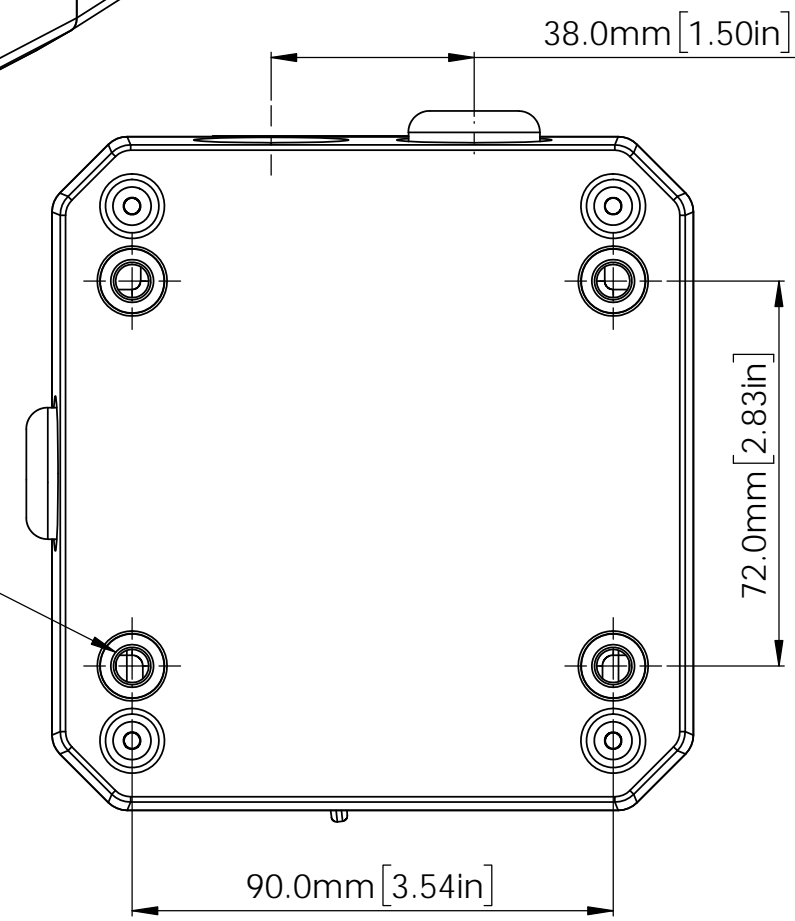
ISOMETRIC VIEW

POSITION OF OPTIONAL L.E.D POSITION OF OPTIONAL DUTY LABEL

POSITION OF OPTIONAL TAG PLATE



Ø6.2mm [0.24in]
MOUNTING HOLES
4 OFF



DRAWING TO BS8888:2000 GEOMETRIC TOLERANCES TO ISO1101:1983 LINEAR DIMENSIONAL TOLS ANGULAR DIMENSIONAL TOLS	DRAWN	DATE	SURFACE FINISH POWDER COAT	WEIGHT (Kg)
	D.HOWGILL	03-02-20		
	CHECKED	DATE	MATERIAL	THIS DRAWING AND ANY INFORMATION OR DESCRIPTIVE MATTER THEREIN IS COMMUNICATED IN CONFIDENCE AND IS THE COPYRIGHT PROPERTY OF EUROPEAN SAFETY SYSTEMS LTD. NEITHER THE WHOLE OR ANY EXTRACT MAY BE DISCLOSED, LOANED, COPIED OR USED FOR MANUFACTURING OR TENDERING PURPOSES WITHOUT THEIR WRITTEN CONSENT.
R.N.POTTS	03-02-20	ALTERNATIVE MATERIAL		
APPROVED	DATE		EUROPEAN SAFETY SYSTEMS LTD. AS PER LATEST DATE OF ISSUE SHOWN ABOVE	
STANDARDS GNExCP6-BG	R.N.POTTS	03-02-20		

 EUROPEAN SAFETY SYSTEMS LTD IMPRESS HOUSE MANSELL ROAD ACTON LONDON W3 7QH WWW.E2S.COM	ALL DIMENSIONS IN MM IF IN DOUBT, ASK - DO NOT SCALE		 A2
	TITLE GNExCP6-BG MANUAL CALL POINT BREAK GLASS OUTLINE DRAWING		
	SCALE 1:1	SHEET 1 OF 1	DRAWING NUMBER D154-05-001



SCATTERGOOD & JOHNSON LTD

ELECTRICAL ENGINEERING & FLUID CONTROL DISTRIBUTORS

Est.1899

At Scattergood & Johnson Ltd, we pride ourselves on being a technical distributor to specialist industries.

Working with a range of quality product suppliers across a number of specialist markets, we are not your average 'box shifter' - we are your technical and supply chain partner.

We fully support every product we sell - for free! Our internal team and external sales engineers can answer any product or application question, no matter the complexity.

Backing up this technical ability is a range of 50,000+ products available from stock for nationwide next day delivery (same day if required!), or you can collect what you need from any of our trade counters around the UK.

Select your specialist interest below to learn more about how we can help.



Online, In Branch and On the Road - Scattergood & Johnson Ltd, there when you need us.

www.scatts.co.uk