

1

L101H ALERTALIGHT

High Powered LED Array Beacon
 24 x High Powered LEDs
 Two modes : Steady , Flashing 2 Hz
 IP Rating: IP66
 Temp: -25°C to +50°C
 Unit weight: 200g
 CE

Dimensions : 86.0 x 86.0mm
 1.5mm² terminals
 Cable entry: M20 cable entry (IP66)
 Dependant on Back Box selected

[z] = Back Box Type
 B = L101 type M = Multi-purpose type
 A = A100 type S = Sonora type

[y] = LED colour
 R = Red A = Amber
 B = Blue W = White
 G = Green

[x] = Housing colour
 G = Grey R = Red W = White

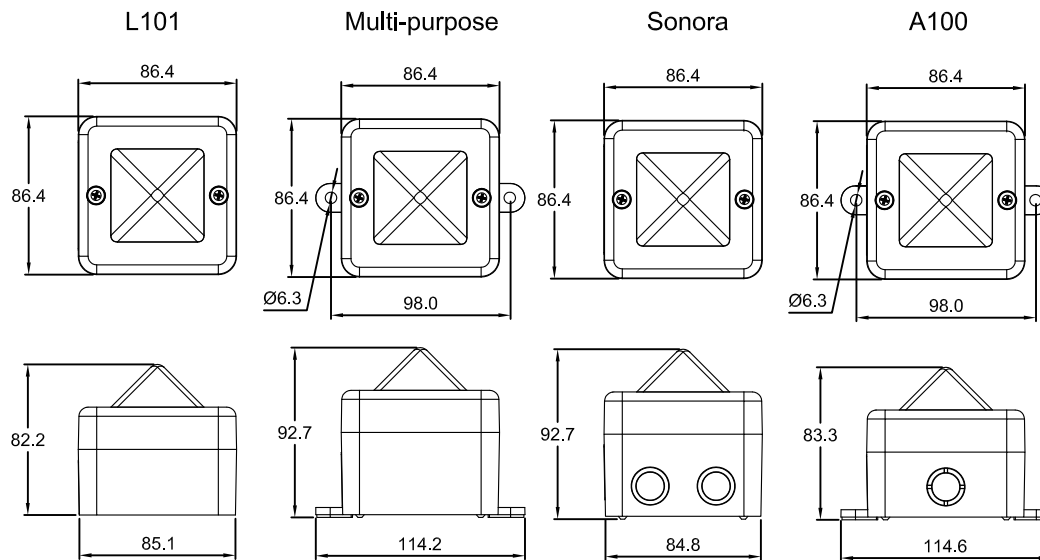
Order code	Voltage
L101HDC024[z][x]/[y]	10-30 VDC
LED Colour Red, Amber	
L101HDC024[z][x]/[y]	12-30VDC
LED Colour Blue, White, Green	
L101HAC230[z][x]/[y]	90-260 VAC
	43-60 VDC

Tel : +44 (0)2 8743 8880 Fax : +44 (0)20 8740 4200
 mail : sales@e2s.com web : www.e2s.com



3

Back Box Type



2



ATTENTION: Installation must be carried out by an electrician in compliance with the latest codes and regulations.



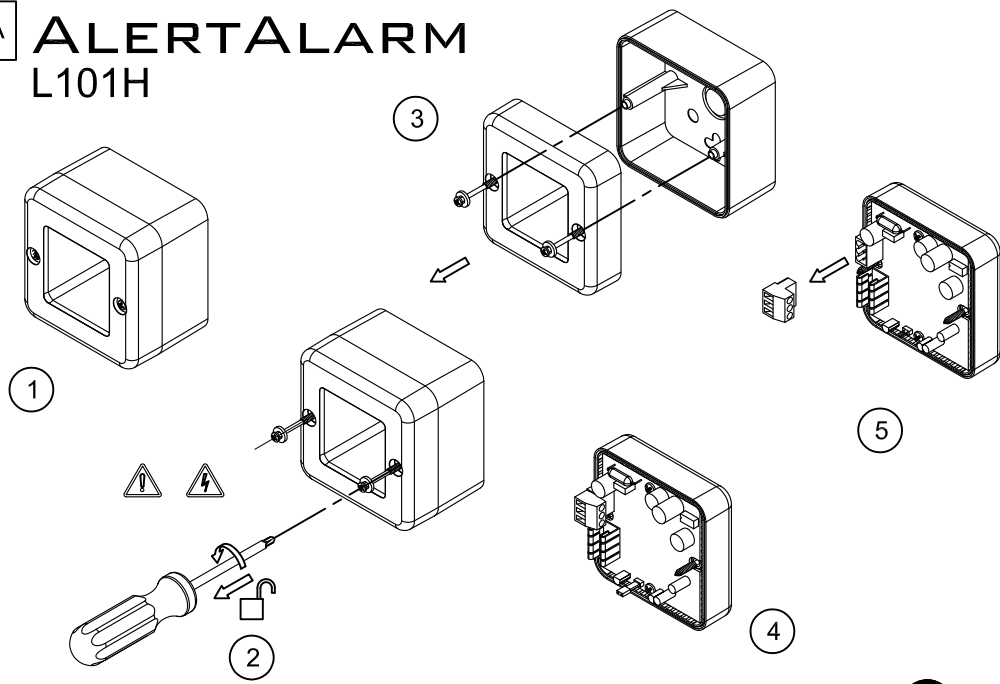
ATTENTION: Disconnect from power source before installation or service to prevent electric shock.



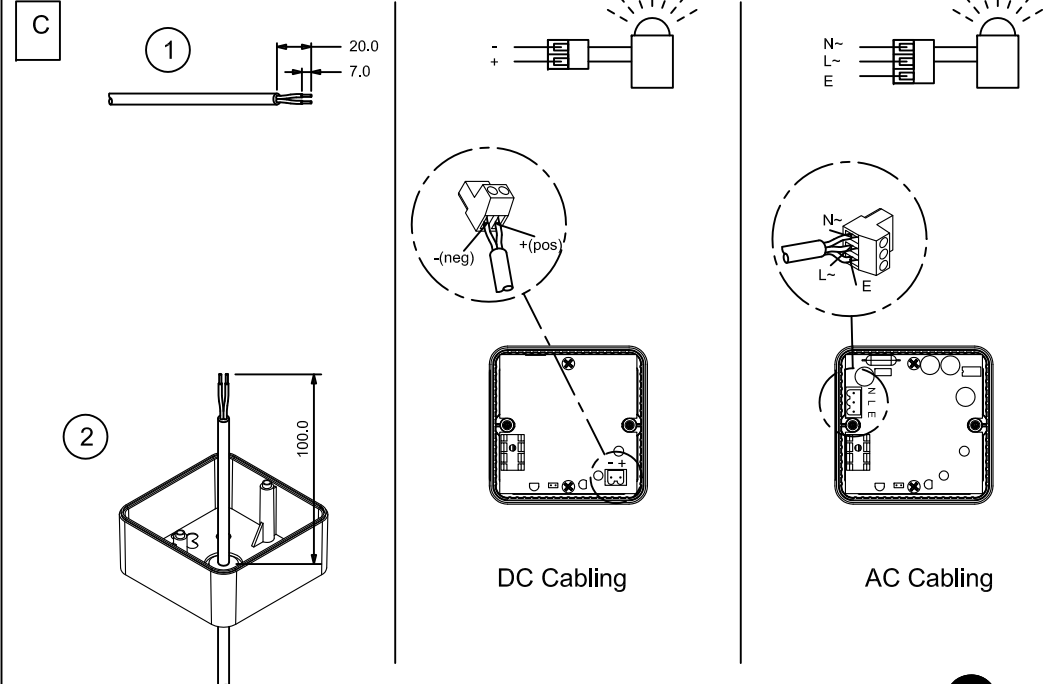
ATTENTION: Lens on unit will be hot allow to cool prior to removal.



A ALERTALARM
L101H

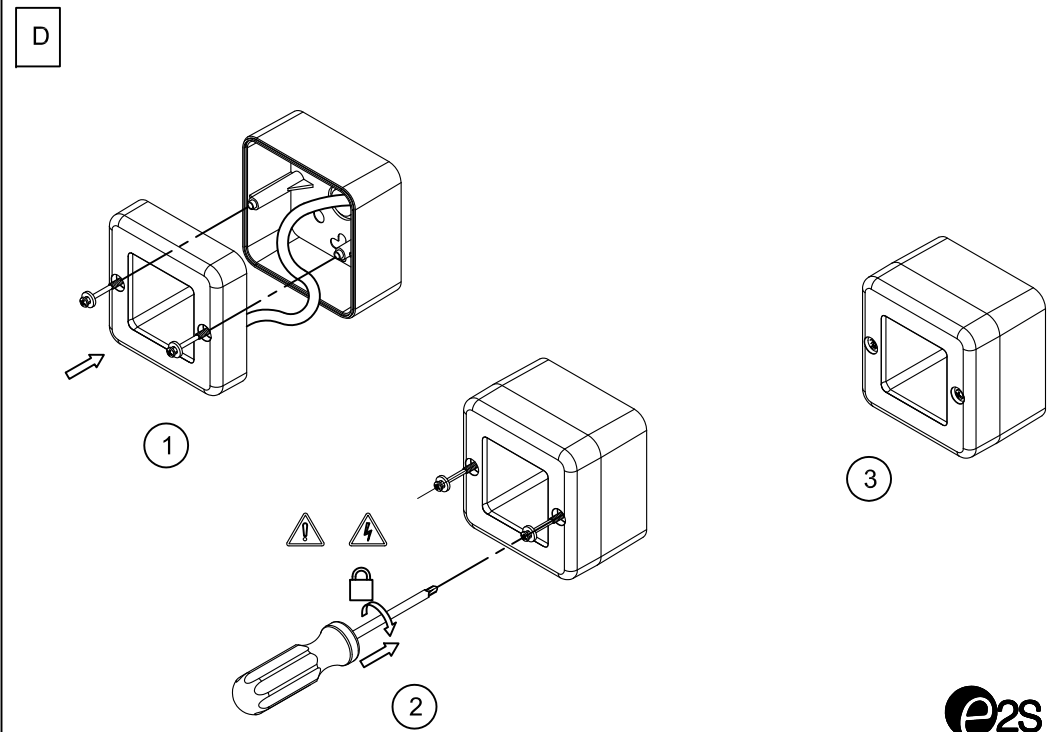
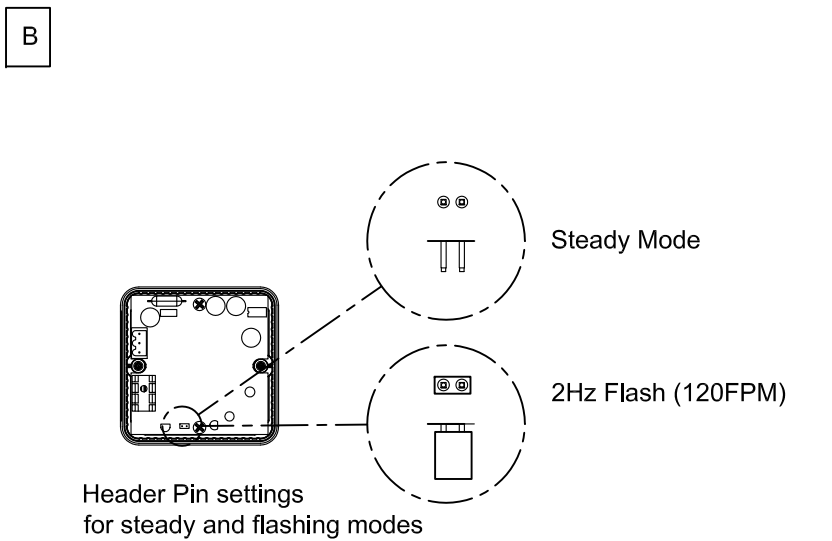


Tel : +44 (0)20 8743 8880 Fax : +44 (0)20 8740 4200
mail : sales@e2s.com web : www.e2s.com



DC Cabling

AC Cabling





SCATTERGOOD & JOHNSON LTD

ELECTRICAL ENGINEERING & FLUID CONTROL DISTRIBUTORS

Est.1899

At Scattergood & Johnson Ltd, we pride ourselves on being a technical distributor to specialist industries.

Working with a range of quality product suppliers across a number of specialist markets, we are not your average 'box shifter' - we are your technical and supply chain partner.

We fully support every product we sell - for free! Our internal team and external sales engineers can answer any product or application question, no matter the complexity.

Backing up this technical ability is a range of 50,000+ products available from stock for nationwide next day delivery (same day if required!), or you can collect what you need from any of our trade counters around the UK.

Select your specialist interest below to learn more about how we can help.



Online, In Branch and On the Road - Scattergood & Johnson Ltd, there when you need us.

www.scatts.co.uk