

1

L101X AlertAlight

High Powered Xenon Tube Beacon
 5J Xenon Flash Tube
 Three modes : Flashing 1 Hz*,
 Flashing 1.5Hz† (DC units Only),
 Double Strike† (DC Units Only)
 IP Rating: IP66
 Temp: -25°C to +55°C
 Unit weight: 200g
 CE

Dimensions : 86.0 x 86.0mm
 1.5mm² terminals
 Cable entry: M20 cable entry (IP66)
 Dependant on Back Box selected

[Z] = Back Box Type
 B = L101 type
 A = A100 type

M = Multi-purpose type
 S = Sonora type

[Y] = Lens colour
 R = Red*
 B = Blue
 G = Grey

A = Amber
 C = Clear*
 W = White

[X] = Housing colour
 R = Red
 G = Grey

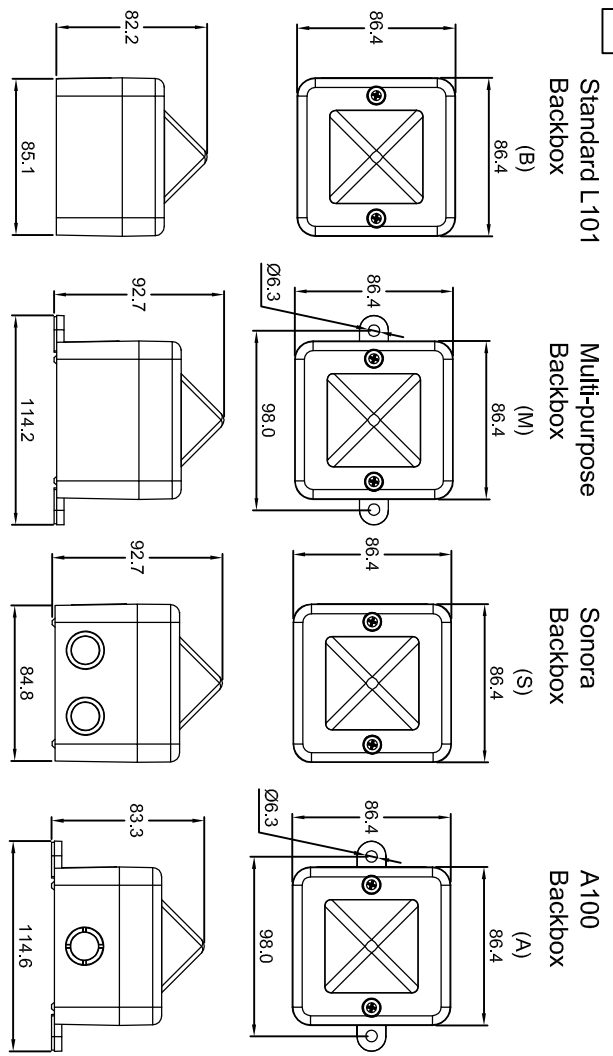
Order code	Voltage	Current
L101XDC012Z[X Y]	10-14 VDC/AC	500mA/380mA
L101XDC024Z[X Y]*	20-28 VDC/AC	250mA/300mA
L101XDC048Z[X Y]†	42-52 VDC	175mA
L101XAC048Z[X Y]	48 VAC±10%	250mA
L101XAC115Z[X Y]	115 VAC±10%	70mA
L101XAC230Z[X Y]	230 VAC±10%	35mA

† Flashing 1.5Hz and Double Strike modes are not available on the following units: L101XDC012B[X|Y] when used with an AC supply; L101XAC048B[X|Y]; L101XAC115B[X|Y] & L101XAC230B[X|Y].
 * Benons models with VGS/CRP Approval for EN54-23, 24/48 VDC
 Tel : +44 (0)20 8740 4200 Fax : +44 (0)20 8740 4200
 Email : sales@zds.com Web : www.zds.com



3

Back Box Type



2

ATTENTION: Installation must be carried out by an electrician in compliance with the latest codes and regulations.

ATTENTION: Disconnect from power source before installation or service to prevent electric shock.

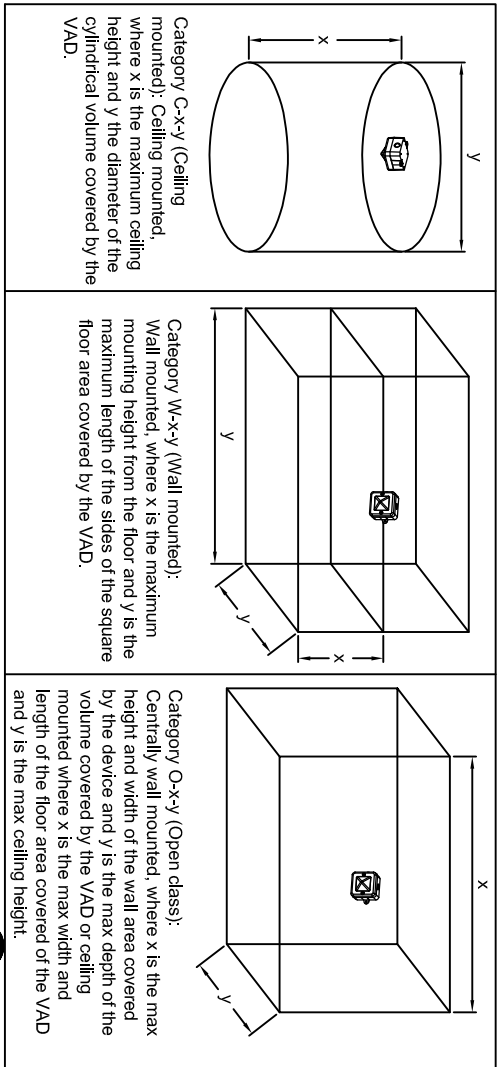
ATTENTION: On strobe beacons allow a minimum of 2 minutes for hazardous high voltage to discharge from unit.

ATTENTION: Lens on unit will be hot allow to cool prior to removal.

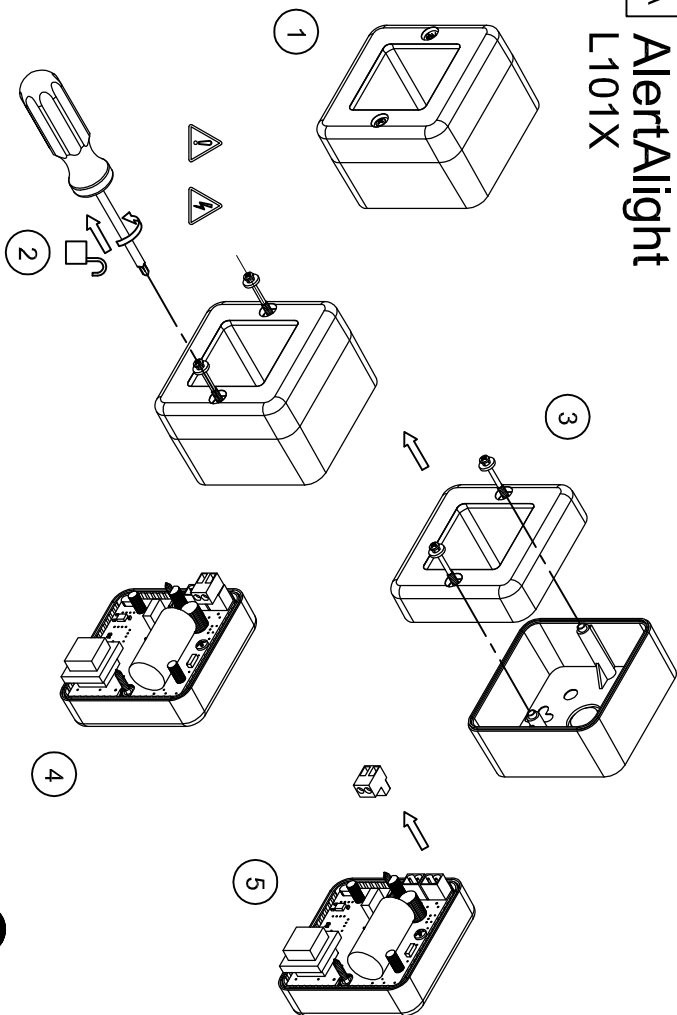
4

Coverage Area According to EN54-23

UNIT	Category C	Category M	Category O	Beacon
L101XDC024Z[Y]/C	C-8x6,8	Wx2,4x4,8	O-1,5x10	6W
V=328,9m ²	V=55,3m ²	V=230,4m ²		
L101XDC024Z[Y]/R	C-3x2,6	N/A	O-1,3x4,6	6W
V=15,9m ²	N/A	V=13,0m ²		
L101XDC048Z[Y]/C	C-8x7	Wx2,5x5	O-5x10	8,4W
V=346,4m ²	V=42,5m ²	V=250,0m ²		
L101XDC048Z[Y]/R	C-3x3	N/A	O-2x4	8,4W
V=21,2m ²	N/A	V=16,0m ²		



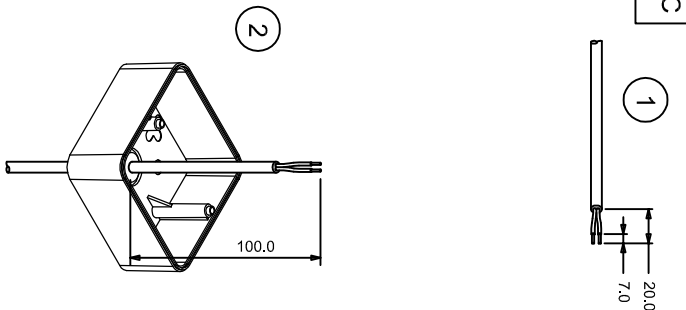
A AlertAlight L101X



Tel: +44 (0)20 8743 8880 Fax: +44 (0)20 8740 4200
 Email: sales@e2s.com Web: www.e2s.com

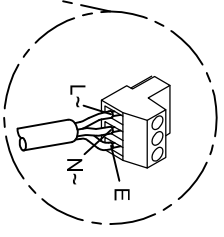
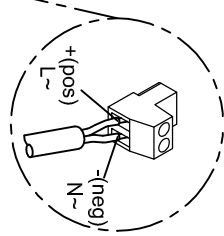


C



1

2



10-14 VDC/AC
 20-28 VDC/AC
 42-54 VDC/AC
 48 VAC

115 VAC
 230 VAC



B

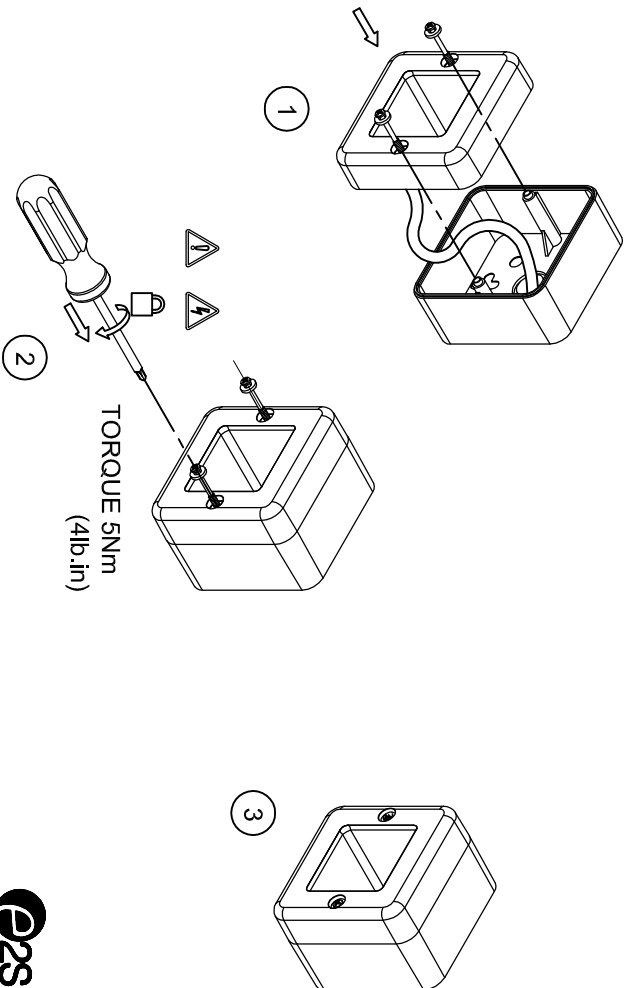
Header Pin settings for flashing modes

		1Hz Flash (60FPM)	
		1.5Hz Flash (90FPM) [†]	
		Double Strike Flash Pattern [†]	

[†] Flashing 1.5Hz and Double Strike modes are not available on the following units: L101XDC012b|X|V| when used with an AC supply; L101XAC048b|X|V|; L101XAC115b|X|V| & L101XAC230b|X|V|.



D



TORQUE 5Nm
(4lb.in)

3





SCATTERGOOD & JOHNSON LTD

ELECTRICAL ENGINEERING & FLUID CONTROL DISTRIBUTORS

Est.1899

At Scattergood & Johnson Ltd, we pride ourselves on being a technical distributor to specialist industries.

Working with a range of quality product suppliers across a number of specialist markets, we are not your average 'box shifter' - we are your technical and supply chain partner.

We fully support every product we sell - for free! Our internal team and external sales engineers can answer any product or application question, no matter the complexity.

Backing up this technical ability is a range of 50,000+ products available from stock for nationwide next day delivery (same day if required!), or you can collect what you need from any of our trade counters around the UK.

Select your specialist interest below to learn more about how we can help.



Online, In Branch and On the Road - Scattergood & Johnson Ltd, there when you need us.

www.scatts.co.uk