

SKINTOP® ST-M

SKINTOP® ST-M, increased oil-resistant plastic cable gland with variable clamping ranges, permanent vibration protection, for offshore platforms

Info

With IP69 approval! Proven to withstand the most demanding cleaning procedures for industrial machinery with high-pressure cleaners and hot water!

In practical box available in the web catalogue



-  Good chemical resistance
-  Wide clamping range
-  Maximum vibration protection
-  Assembly time
-  Optimum strain relief
-  Temperature-resistant
-  Variety of approval certifications

Benefits

High oil-resistance for maximum reliability
 Permanent vibration protection
 Wide, variable clamping ranges
 Optimum strain relief

Last Update (13.08.2020)

©2020 Lapp Group - Technical changes reserved

Product Management www.lappkabel.de

You can find the current technical data in the corresponding data sheet.

PN 0456 / 02_03.16

SKINTOP® ST-M

Various accessories (e.g. multiple sealing inserts)

Application range

Used in areas where a lot of cables and wires need to be inserted into housings with minimum space requirements
 Machine and equipment manufacturing
 Photovoltaic
 Automation technology
 Offshore platforms, equipment and shipyards

Norm references / Approvals

UL File Nr. E79903
 GGVs: TÜ.EGG.020-95

Product Make-up

Metric connection thread acc. to DIN EN 60423
 Basis for technical information DIN IEC 62444

Note

SKINTOP® ST(R) M ISO types have an extra-long connection thread
 SKINTOP® ST(R) M ISO versions with extra-long connection thread, see table, no DNV approval

Technical Data

Classification ETIM 5:	ETIM 5.0 Class-ID: EC000441 ETIM 5.0 Class-Description: Cable screw gland
Classification ETIM 6:	ETIM 6.0 Class-ID: EC000441 ETIM 6.0 Class-Description: Cable screw gland
Caution:	Refer to Appendix T21 for the installation dimensions and torques Size M 40 x 1,5 up tp M 63 x 1,5 with O-ring
Colour delivered:	Silver grey (RAL 7001) Light grey (RAL 7035) Black (RAL 9005), UV-resistant
Material:	Body: Polyamide Seal: CR
Tests:	GGVs: TÜ.EGG.020-95
Protection rating:	IP 66 IP 68 - 5 bar IP 69 NEMA Type 1, 12
Temperature range:	Fixed: -40°C to +100°C Dynamic: -20°C to +100°C

Note

Photographs and graphics are not to scale and do not represent detailed images of the respective products.
 Prices are net prices without VAT and surcharges. Sale to business customers only.

Article number	Article designation / size	Ø F mm	SW wrench size mm	Overall length C mm	Thread length D mm	Pieces / PU
SKINTOP® ST-M silver grey						
53111000	M 12 x 1,5	3.5 - 7	15	30.0	8	100
53111010	M 16 x 1,5	4 - 10	19	34.0	8	100
53111020	M 20 x 1,5	6 - 13	25	37.0	9	100
53111030	M 25 x 1,5	8 - 17	30	40.0	10	50
53111040	M 32 x 1,5	9 - 21	36	47.0	10	25
53111050	M 40 x 1,5	16 - 28	46	52.0	10	10
53111060	M 50 x 1,5	27 - 34	55	62.0	12	5
53111070	M 63 x 1,5	34 - 45	66	71.0	12	5
SKINTOP® ST-M black						
53111200	M 12 x 1,5	3.5 - 7	15	30.0	8	100
53111210	M 16 x 1,5	4 - 10	19	34.0	8	100
53111220	M 20 x 1,5	6 - 13	25	37.0	9	100
53111230	M 25 x 1,5	8 - 17	30	40.0	10	50
53111240	M 32 x 1,5	9 - 21	36	47.0	10	25
53111250	M 40 x 1,5	16 - 28	46	52.0	10	10
53111260	M 50 x 1,5	27 - 34	55	62.0	12	5
53111270	M 63 x 1,5	34 - 45	66	71.0	12	5
SKINTOP® ST-M light grey						
53111400	M 12 x 1,5	3.5 - 7	15	30.0	8	100
53111410	M 16 x 1,5	4 - 10	19	34.0	8	100
53111420	M 20 x 1,5	6 - 13	25	37.0	9	100
53111430	M 25 x 1,5	8 - 17	30	40.0	10	50
53111440	M 32 x 1,5	9 - 21	36	47.0	10	25
53111450	M 40 x 1,5	16 - 28	46	52.0	10	10
53111460	M 50 x 1,5	27 - 34	55	62.0	12	5
53111470	M 63 x 1,5	34 - 45	66	71.0	12	5
SKINTOP® ST M ISO silver-grey (with long metric connecting thread)						
53017010	M 16 x 1,5 ISO	3.5 - 8	19	40.0	12	100
53017030	M 20 x 1,5 ISO	5 - 12	24	45.0	13	100
53017040	M 25 x 1,5 ISO	9 - 14	27	47.0	13	50
SKINTOP® ST M ISO black (with long metric connecting thread)						
53010000	M 12 x 1,5 ISO	3.5 - 7	15	36.7	15	100
53017210	M 16 x 1,5 ISO	3.5 - 8	19	40.0	12	100
53017230	M 20 x 1,5 ISO	5 - 12	24	45.0	13	100

Last Update (13.08.2020)

©2020 Lapp Group - Technical changes reserved

Product Management www.lappkabel.de

You can find the current technical data in the corresponding data sheet.

PN 0456 / 02_03_16

**SKINTOP® ST-M**

Article number	Article designation / size	Ø F mm	SW wrench size mm	Overall length C mm	Thread length D mm	Pieces / PU
53017240	M 25 x 1,5 ISO	9 - 14	27	47.0	13	50

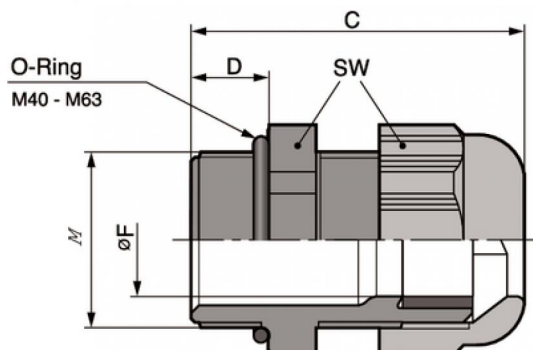
Last Update (13.08.2020)

©2020 Lapp Group - Technical changes reserved

Product Management www.lappkabel.de

You can find the current technical data in the corresponding data sheet.

PN 0456 / 02_03.16

SKINTOP® ST-M

Last Update (13.08.2020)

©2020 Lapp Group - Technical changes reserved

Product Management www.lappkabel.de

You can find the current technical data in the corresponding data sheet.

PN 0456 / 02_03.16



SCATTERGOOD & JOHNSON LTD

ELECTRICAL ENGINEERING & FLUID CONTROL DISTRIBUTORS

Est.1899

At Scattergood & Johnson Ltd, we pride ourselves on being a technical distributor to specialist industries.

Working with a range of quality product suppliers across a number of specialist markets, we are not your average 'box shifter' - we are your technical and supply chain partner.

We fully support every product we sell - for free! Our internal team and external sales engineers can answer any product or application question, no matter the complexity.

Backing up this technical ability is a range of 50,000+ products available from stock for nationwide next day delivery (same day if required!), or you can collect what you need from any of our trade counters around the UK.

Select your specialist interest below to learn more about how we can help.



Online, In Branch and On the Road - Scattergood & Johnson Ltd, there when you need us.

www.scatts.co.uk