



Harsh & Hazardous

KILLARK®

B7NFD Series



Disconnect Switches

for Harsh and Hazardous Environments

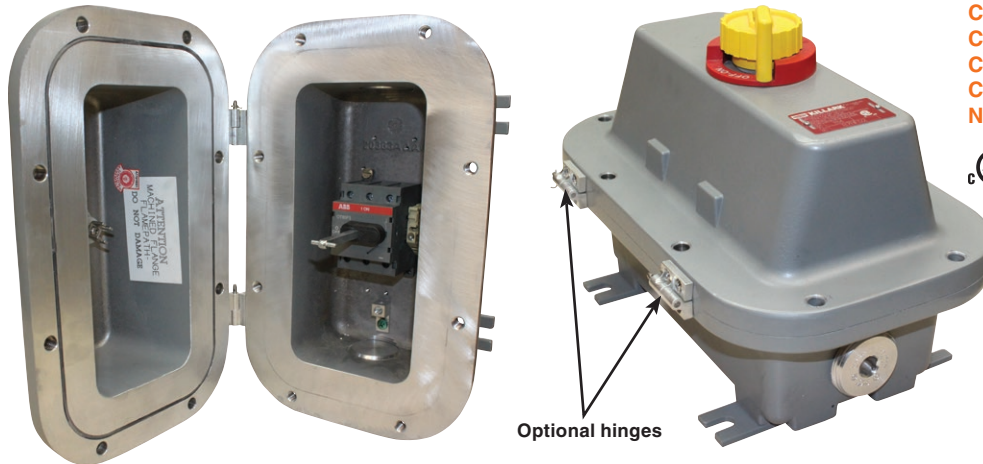




B7NFD SERIES

KILLARK

COMPACT NON-FUSED DISCONNECT SWITCHES



Class I, Div. 1 & 2, Groups B, C, D
 Class I, Zones 1 & 2, Groups IIB+ H₂, IIA
 Class II, Div. 1 & 2, Groups E, F, G^①
 Class III
 NEMA 3, 4, 4X, 7 (B, C, D) 9 (E, F, G)

Certified - File LR11714

FEATURES-SPECIFICATIONS

Applications

The PRISM[®] B7 Series of non-fused disconnect switches are used:

- In locations made hazardous due to the presence of flammable gasses or vapors or ignitable dusts, fibers and flyings.
- Outdoors or indoors in damp, wet and dirty locations, or in areas where frequent washdowns, heavy rain or water spray routinely occurs.
- Use as motor circuit disconnect.

PRISM[®] enclosures universal design accommodates the following manufacturers switches as standard:

- Advance Controls 14046 Series
- Allen-Bradley 194E Series (B7NFD1 only)
- ABB OT Series
- Cutler-Hammer R9 Series
- Sprecher + Schuh LA7 Series
- Ferraz Shawmut LBS Series

Advance Controls © Advance Controls Inc.
 Allen-Bradley © Rockwell Automation
 ABB © The ABB Group
 Cutler-Hammer © Eaton Corporation
 Sprecher + Schuh © Sprecher + Schuh

UL98 & UL508

- The disconnect switches are defined for the intended use.
- UL98 are for general purpose disconnects or branch circuit protection. 30, 60, and 100 AMP.
- UL508 are designed for motor disconnects. 16, 25, 32, 63, and 80 AMP.
- Both are rated for service entrance.

Features

- Compact size enclosures provide application flexibility with cost savings over industry standard sizes
- Fewer cover bolts reduces installation and maintenance time
- Gasketed flange with O-ring located in side bolt circle to seal out moisture
- Rotary handle style operating mechanism with lockout provision as standard
- Removable ductile mounting lugs adjust to irregular mounting surfaces
- Bodies have top and bottom drilled and tapped conduit entrances for power connection, with custom openings available

Standard Materials /Finish

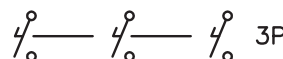
- Enclosures: Copper-free aluminum (less than 4/10 of 1% copper content)
- Cover Bolts: 316 Stainless Steel
- O-ring Gasket: Silicone
- Finish: Grey Powder Polyester painted exterior, electrostatically applied.
- Electrical rating: 600VAC, 30 - 100 Amp

ADAPTER KIT

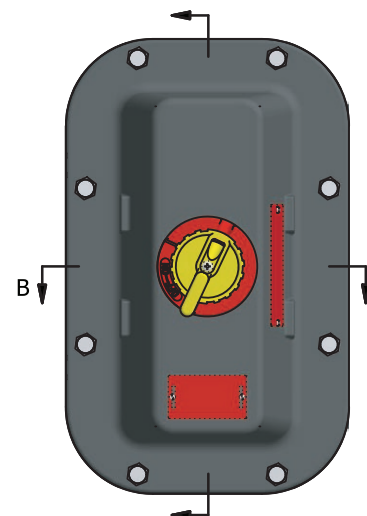
- Required for Allen-Bradley and Sprecher + Schuh disconnects Order separately B7KIT - NRW

MODIFICATIONS	
SUFFIX NUMBER	DESCRIPTION
KIT-251	100 amp ground lug
SU-2	SU-2 Hinge-9 Installed
su-3b-4x	Drain/Breather NEMA 4X/7 B,C,D
Su-10b-4x	Drain NEMA 4X/7 B,C,D
su-11b-4x	Breather NEMA 4X/7 B,C,D
SU9	Special paint finish
A*	1 NC+1NO Auxiliary
B7SPNPT	Change std. conduit size and location
SU14	Fungus proofing of enclosures

* NOTE: Only one auxiliary contact (Form C) will fit.



Non-Fused Disconnect



DISTRIBUTION

B7NFD SERIES



COMPACT NON-FUSED DISCONNECT SWITCHES

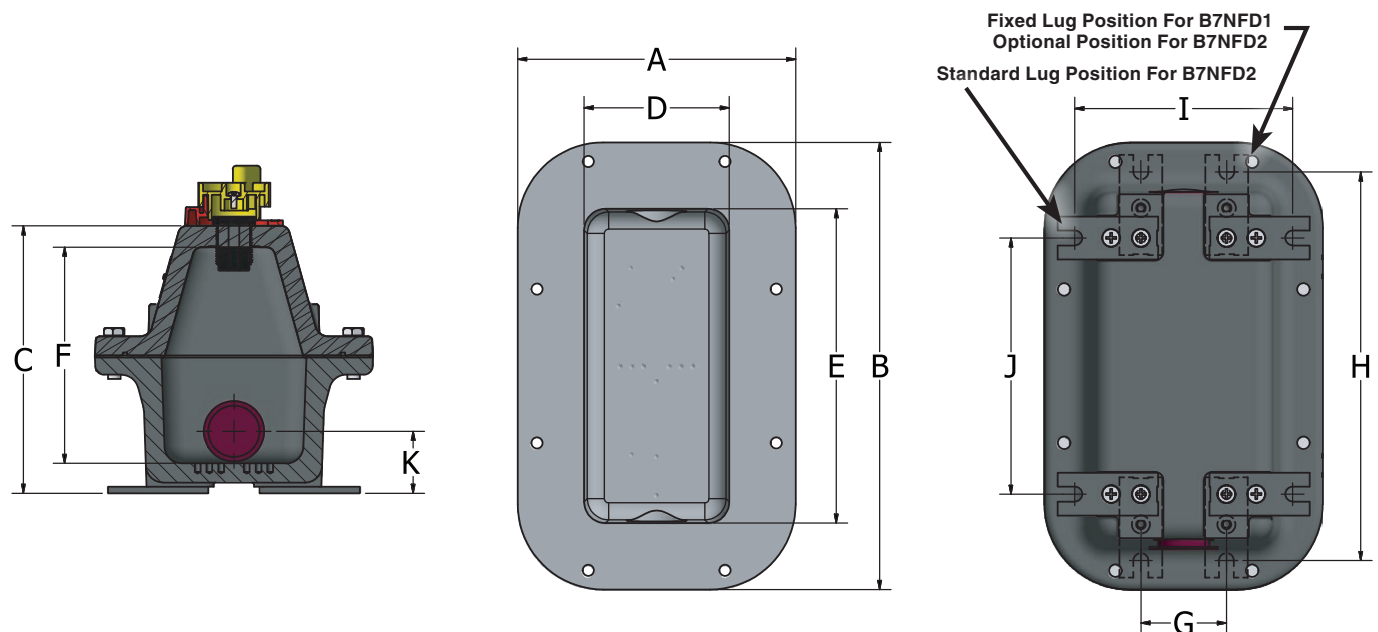
COMPACT NON-FUSED DISCONNECT SWITCHES											
CATALOG NUMBER		SWITCH RATING IEC/NEC		SINGLE PHASE HP		THREE PHASE HP				TERMINAL LUG SIZE (MM/AWG)	WEIGHT (KG/LBS)
ENCLOSURE ONLY	W/ABB SWITCH	AMPS	PHASE	120 VAC	230 VAC	208 VAC	230 VAC	480 VAC	600 VAC		
UL 98 & IEC - Suitable for use as motor disconnects or industrial control panel disconnects on service entrance equipment, panelboards, switchboards, industrial control equipment, motor control centers, etc. and are horsepower rated and ampere rated.											
B7NFD1	B7NFD13A	40/30	3	2	5	10	10	20	30	2.5 - 25mm / #14 - 4 AWG	4.98 / 11
B7NFD2	B7NFD26A	63/60	3	3	7.5	20	20	40	40	2.5 - 25mm / #14 - 4 AWG	10.53 / 23.2
B7NFD2	B7NFD21A	100/100	3	5	15	25	30	50	50	10 - 70mm / #8 - 2/0 AWG	10.53 / 23.2

** Use MN. 75°C wire

COMPACT NON-FUSED DISCONNECT SWITCHES											
CATALOG NUMBER		SWITCH RATING IEC/NEC		SINGLE PHASE HP		THREE PHASE HP				TERMINAL LUG SIZE (MM/AWG)	WEIGHT (KG/LBS)
ENCLOSURE ONLY	W/ABB SWITCH	AMPS	PHASE	120 VAC	230 VAC	208 VAC	230 VAC	480 VAC	600 VAC		
UL508 & IEC - Suitable for use in equipment or machinery as motor controllers & motor disconnect and are horsepower and ampere rated.											
B7NFD1	B7NFD16A	16/20	3	1	2	3	5	10	10	.75 - 10mm / #18 - 8 AWG	4.98 / 11
B7NFD1	B7NFD25A	25/30	3	1.5	3	7.5	7.5	15	20	.75 - 10mm / #18 - 8 AWG	4.98 / 11
B7NFD1	B7NFD32A	32/40	3	2	5	10	10	20	25	.75 - 10mm / #18 - 8 AWG	4.98 / 11
B7NFD1	B7NFD63A	63/60	3	2	5	15	15	30	30	1.5 - 35mm / #14 - 2 AWG	4.98 / 11
B7NFD2	B7NFD80A	80/80	3	2	5	20	20	40	40	1.5 - 35mm / #14 - 2 AWG	10.53 / 23.2

** Use MN. 75°C wire

DIMENSIONS												
ENCLOSURE	OUTSIDE BOX DIMENSIONS (INCH/MM)			NOMINAL INSIDE BOX (INCH/MM)			MOUNTING DIMENSION (INCH/MM)					NPT
	A	B	C	D	E	F	G	H	I	J	K	
B7NFD1	5.75 (145)	8.0625 (205)	6.3125 (160)	3.625 (92)	5.8125 (148)	5.0625 (129)	3.125 (79)	8.125 (206)	NA	NA	1.25 (32)	1"
B7NFD2	8.125 (206)	13.0625 (332)	7.8125 (198)	4.25 (108)	9.1875 (233)	6.3125 (160)	2.50 (64)	11.375 (289)	6.375 (162)	7.50 (191)	1.8125 (46)	1½"



Distribution Equipment from KILLARK



B7C Circuit Breaker Enclosures

Available from 15AT thru 1200AT, two, three or four pole, available with standard NPT outlets, Metric or both. Mounting pans are pre-drilled to accept the following molded case circuit breakers (Square D, ABB, Eaton, GE and Siemens). All external circuit breaker operating handles are padlock able in the "on" or "off" position. Ductile mounting lugs for adjusting to irregular mounting surfaces. All cover bolts are 316 grade stainless steel.



B7L Lighting Panelboard

Available from 12 to 42 circuits for MLO (main lug only) to MCCB (main circuit breaker) styles. All external circuit breaker operating handles are padlock able in the "on" or "off" position. All cover bolts are quick release tri-lead 316 grade stainless steel, ductile mounting lugs.

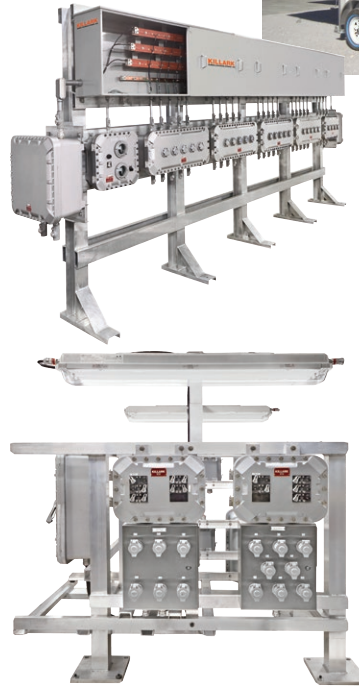


EXBLI/EXBPI Series

New from Killark are IEC rated panelboards with type UL 489 series miniature circuit breakers (MCB) and bus bar system.

For the world wide market, the breakers carry UL, CSA, IEC, CE and many other agency approvals and certifications.

Available as 6, 12, 18, 24, 36, 54 or 72 circuits with main breaker 6, 12, 18, 36, 54, 72 or 90 main lug only.



Switchrack Assemblies

Integrated solution for group mounting Explosion proof or Flameproof enclosures, mounted and wired. Available with conduit and fittings or armored cable and cable glands. Structures are designed for the specific seismic and wind load requirements for your specific location. Whatever your requirements, we can provide a solution.

HKSB-B7NFD 11-18 © Killark, 2018

KILLARK®

Hubbell Killark

3940 Dr. Martin Luther King Drive • St. Louis, MO 63113

Phone: (314) 531-0460 • Fax: (314) 531-7164

www.hubbell-killark.com



Harsh & Hazardous



SCATTERGOOD & JOHNSON LTD

ELECTRICAL ENGINEERING & FLUID CONTROL DISTRIBUTORS

Est.1899

At Scattergood & Johnson Ltd, we pride ourselves on being a technical distributor to specialist industries.

Working with a range of quality product suppliers across a number of specialist markets, we are not your average 'box shifter' - we are your technical and supply chain partner.

We fully support every product we sell - for free! Our internal team and external sales engineers can answer any product or application question, no matter the complexity.

Backing up this technical ability is a range of 50,000+ products available from stock for nationwide next day delivery (same day if required!), or you can collect what you need from any of our trade counters around the UK.

Select your specialist interest below to learn more about how we can help.



Online, In Branch and On the Road - Scattergood & Johnson Ltd, there when you need us.

www.scatts.co.uk