



# KILLARK®

## HUBBELL ELECTRICAL PRODUCTS

A Division of HUBBELL INCORPORATED (Delaware)  
3940 Martin Luther King Drive  
St. Louis, Missouri 63113 USA

# INSTALLATION, OPERATION & MAINTENANCE DATA SHEET

## “B7NFD” SERIES SQUARE SHAFT OPERATOR KIT

### FOR USE WITH A-B 194E & SPRECHER+SCHUH LA7 SERIES IEC DISCONNECTS

READ THIS SHEET CAREFULLY BEFORE BEGINNING INSTALLATION.

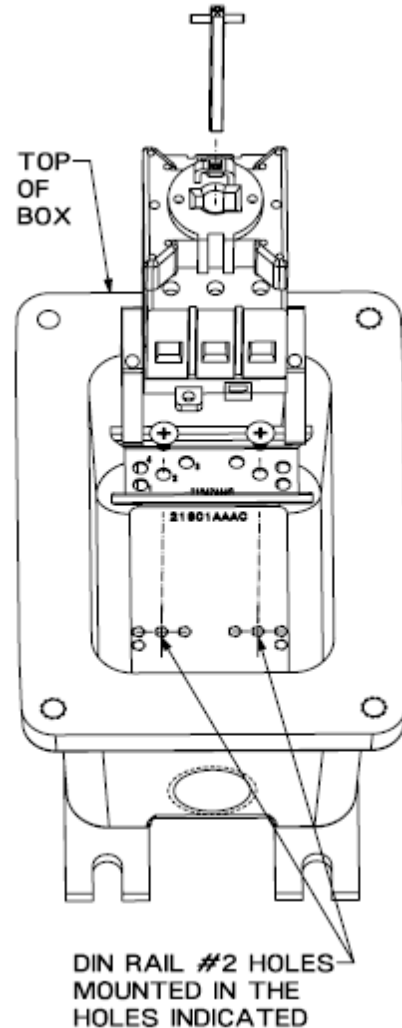
### IMPORTANT SAFEGUARDS; READ AND FOLLOW ALL SAFETY INSTRUCTIONS.

- 1) Do not use this equipment other than the intended use as specified on the equipment nameplate.
- 2) Turn **OFF** the supplying circuit before beginning installation or performing any maintenance.
- 3) Service should be performed by qualified service personnel.
- 4) All installations must comply with the applicable local and/or National Electrical Code.

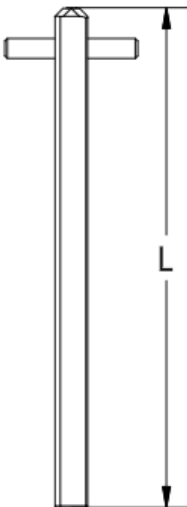
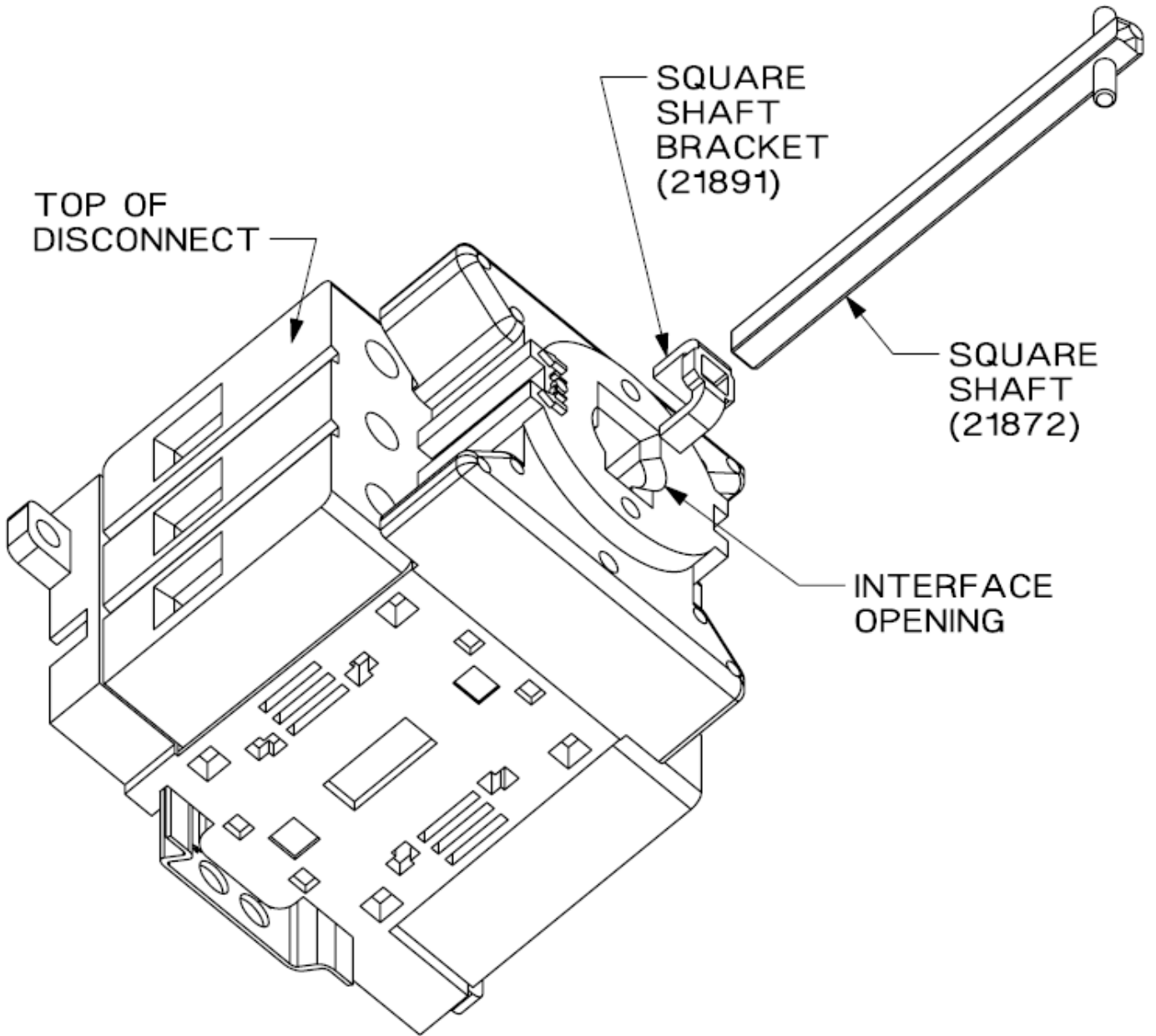
(Note: In the orientation of the enclosure (box & cover), the “TOP” is considered to be at the location of the cast-in part numbers.)

### INSTALLATION:

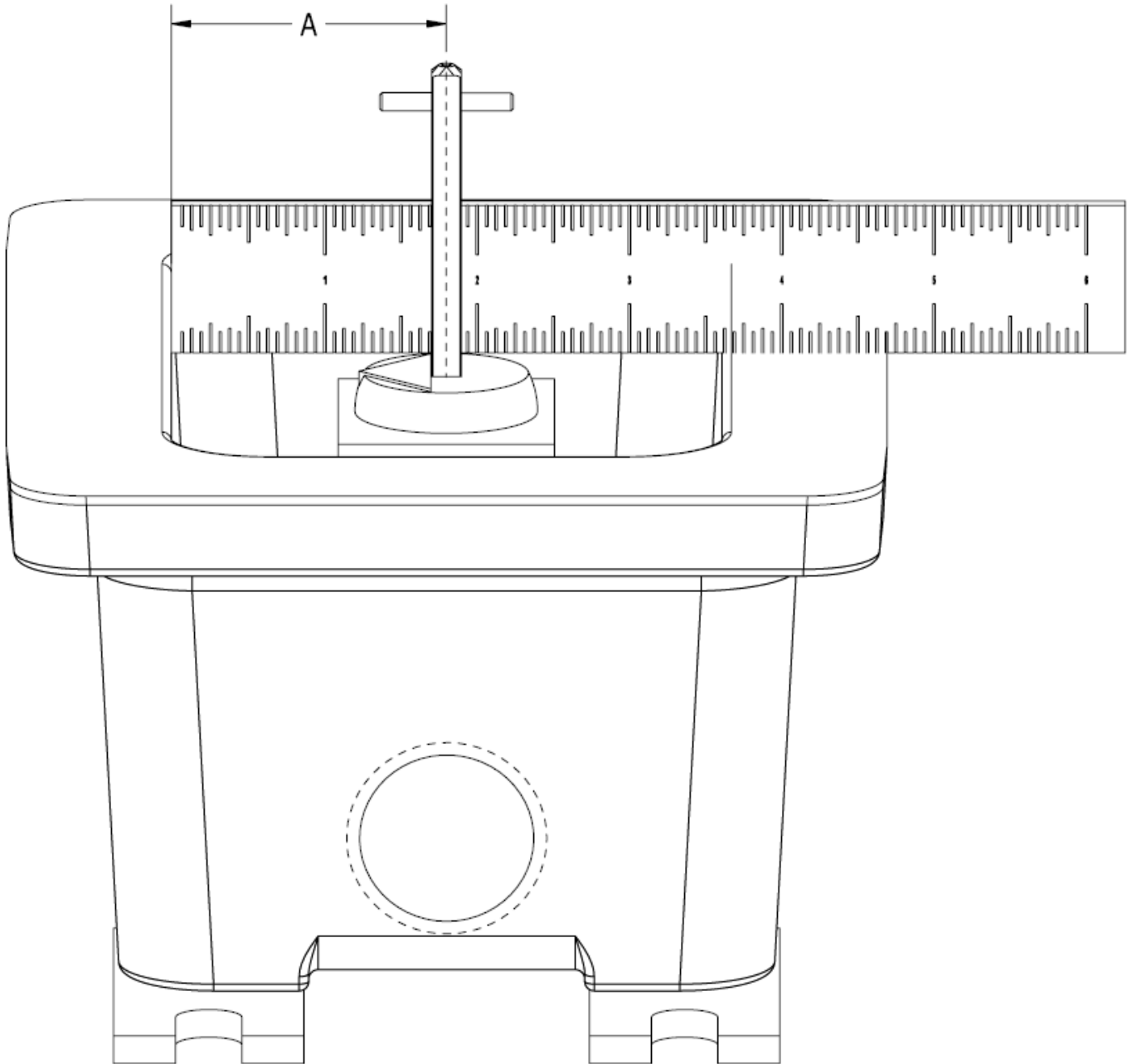
- 1) Install non-fused disconnect of your choice on din rail and align per instructions on page 3.
- 2) Install the two end blocks (provided) onto the din rail. Secure the blocks permanently on both sides of disconnect by using a screw driver and tightening the recessed screws.
- 3) Cut “square shaft” (21872) provided, to the over-all length dimension shown in the chart on page 2, for the specific device being used. (NOTE: smooth out the cut edge of the shaft)
- 4) Insert “square shaft bracket” (21891) into disconnect device interface opening per the orientation shown in the picture on page 2.
- 5) Insert the cut shaft thru the square hole in the bracket, allowing it to rest at the bottom of the device interface opening and in the orientation shown in the picture on page 2.
- 6) Terminate incoming cables to the line and load side of disconnect (field installation only).
- 7) Assemble cover on box making certain that the **cross pin** in the square shaft is engaged in the slot of the operator in cover.
- 8) Tighten cover bolts.



### SAVE ALL INSTRUCTIONS



DISCONNECT MFG.	CAT # (SERIES)	DIM. "L"		ENCLOSURE
ALLEN-BRADLEY	194E-A25/32-1753	2.50"	2 1/2"	B7NFD1
ALLEN-BRADLEY	194E-A40/63-1753	1.96"	1 31/32"	B7NFD1
SPRECHER+SCHUH	LA7-16 THRU 63	2.50"	2 1/2"	B7NFD1
SPRECHER+SCHUH	LA7-80 THRU 100	2.31"	2 5/16"	B7NFD2



**NOTE:**

1. DIMENSION SHOWN IS LOCATED FROM THE INSIDE EDGE OF THE BOX TO THE DISCONNECT'S CENTER OF ROTATION.

DISCONNECT MFG.	CAT # (SERIES)	DIM. "A"	ENCLOSURE
ALLEN-BRADLEY	194E-A25/32-1753	1 13/16"	B7NFD1
ALLEN-BRADLEY	194E-A40/63-1753	1 13/16"	B7NFD1
SPRECHER+SCHUH	LA7-(16 THRU 63)- 1753	1 13/16"	B7NFD1
SPRECHER+SCHUH	LA7-(80 THRU 100)-1753	2 1/8"	B7NFD2

Technical information, advice and recommendations contained in these documents is based on information that Killark believes to be reliable. All the information and advice contained in these documents is intended for use by persons having been trained and possessing the requisite skill and know-how and to be used by such persons only at their own discretion and risk. The nature of these instructions is informative only and does not cover all of the details, variations or combinations in which this equipment may be used, its storage, delivery, installation, check out, safe operation and maintenance.

There are no warranties, expressed or implied, except that all goods shall conform to their description, subject however to commercial tolerances and variations.

All sales are made on the express understanding that there are no express warranties other than those contained in a specific agreement between Seller and Buyer and that there are no implied warranties that the goods shall be merchantable, nor are there any warranties which extend beyond the description on the face hereof. In the event of the breach of any warranty or alleged breach of any warranty by Killark, the Buyer shall not be entitled to consequential or incidental damages. The obligation of Killark under its warranty shall be limited to repairing or replacing FOB Killark's plant or allowing credit at Killark's option, any part or parts which may prove to be thus defective, provided the Buyer(s) gives Killark prompt notice of the defect or defects. It is expressly agreed and understood that this remedy of repair or replacement or credit at Killark's option is the exclusive remedy of the Buyer of this product.

Since conditions of use of the product are outside of the care, custody and control of Killark, the purchaser should determine the suitability of the product for his intended use, and assumes all risk and liability whatsoever in connection therewith.

**MAINTENANCE MANAGER: Please record the following information for your records:**

**COMPLETE CATALOG NO.** \_\_\_\_\_  
(As shown on nameplate)

**INSTALLED BY** \_\_\_\_\_

**DATE OF INSTALLATION** \_\_\_\_\_



# SCATTERGOOD & JOHNSON LTD

ELECTRICAL ENGINEERING & FLUID CONTROL DISTRIBUTORS

Est.1899

At Scattergood & Johnson Ltd, we pride ourselves on being a technical distributor to specialist industries.

Working with a range of quality product suppliers across a number of specialist markets, we are not your average 'box shifter' - we are your technical and supply chain partner.

We fully support every product we sell - for free! Our internal team and external sales engineers can answer any product or application question, no matter the complexity.

Backing up this technical ability is a range of 50,000+ products available from stock for nationwide next day delivery (same day if required!), or you can collect what you need from any of our trade counters around the UK.

Select your specialist interest below to learn more about how we can help.



Online, In Branch and On the Road - Scattergood & Johnson Ltd, there when you need us.

# [www.scatts.co.uk](http://www.scatts.co.uk)