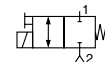




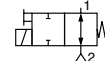
# MINIATURE SOLENOID VALVES

rocker mechanism, fluid isolation  
hose connections

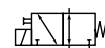
2/2 NC



2/2 NO



3/2 U



2/2  
3/2  
Series  
110

## FEATURES

- Valves for medical analysers, biotechnology, gas analysers
- Can be used to control acids and bases, as well as analytical reagents
- Any application where the fluid may not come into contact with metal parts and with the electromagnetic control section of the solenoid valves
- The valves are ideal for controlling aggressive fluids or when high purity is demanded and have easy to flush internal cavities
- They can also be used as a very small internal volume flow-through sampling valve due to rocker technology
- Hermetic separation of control mechanism and fluid
- Reduced heat exchange between coil and fluid
- Protected manual operator
- The use of first class materials and thorough valve testing ensure high reliability and a lifetime of at least 1 million cycles
- The solenoid valves satisfy all relevant EC directives



## GENERAL

**Differential pressure** -0,7 to +2 bar (usable in 0,3 bar abs. vacuum) [1 bar =100 kPa]  
**Maximum viscosity** 20 cSt (mm<sup>2</sup>/s)  
**Response time** < 20 ms  
**Internal volume** < 75 µl (connections not included)

fluids (*)	temperature range (TS)	seal materials (*)
liquids or gases	0°C to + 40°C	EPDM (ethylene-propylene)

## CONSTRUCTION

**Body** PA12  
**Internal parts** Stainless steel

## MATERIALS IN CONTACT WITH FLUID

(\*) Ensure that the compatibility of the fluids in contact with the materials is verified

**Cover** PA12 (transparent), enabling flow of fluid to be seen  
**Diaphragm-poppets** EPDM

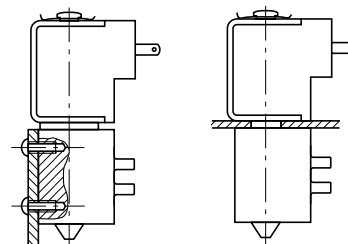
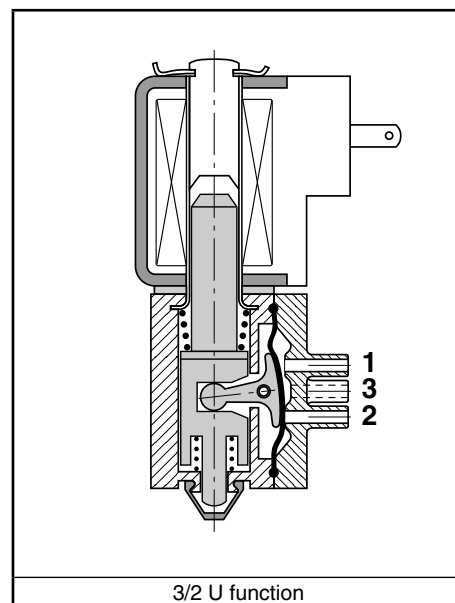
## ELECTRICAL CHARACTERISTICS

**Coil insulation class** F  
**Duty cycle** 100 %  
**Coil** Two spade terminals 2.8 x 0.5 mm (DIN 46340)  
**Electrical safety** IEC 335  
**Electrical enclosure protection** IP40 (EN60529)  
**Standard voltages** DC (=) : 12V - 24V

(Other voltages on request)

	power ratings			operator ambient temperature range (TS) (C°)	replacement coil		type <sup>(1)</sup>	
	inrush ~ (VA)	holding ~ (VA)	hot/cold = (W)		-	=		
-	-	-	-	4 / 5	-5 to + 40	-	24 V DC 43004663	01

<sup>(1)</sup> Refer to the dimensional drawings on the following page.



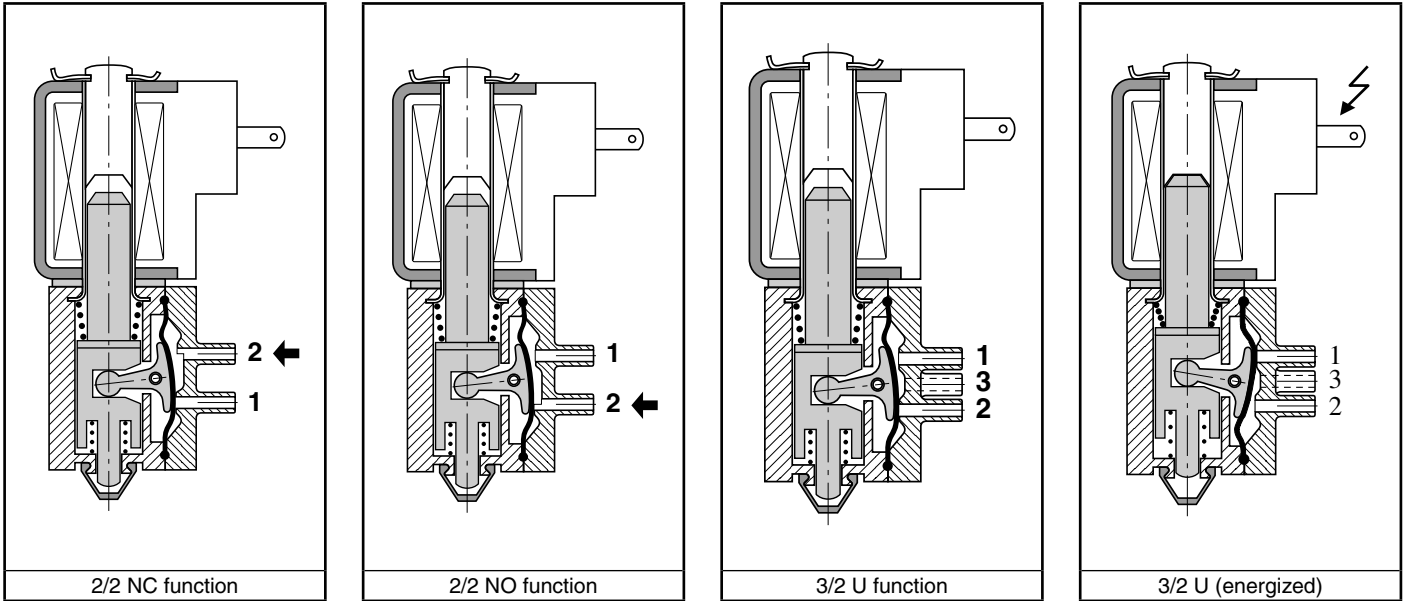
## SPECIFICATIONS

pipe size	orifice size (mm)	flow coefficient Kv (m <sup>3</sup> /h)   (l/min)		operating pressure differential (bar)				power coil (W)		catalogue number (protected impulse manual operator)	
				min.	max. (PS)		rear mounting			central support plate mounting	
					gases (*)	liquids (*)					=
<b>2/2 NC - Normally closed / 2 connections</b>											
<sup>(2)</sup>	1,5	0,05	0,75	-0,7	2	2	-	5	11000006	11000010--P2	
<b>2/2 NO - Normally open / 2 connections</b>											
<sup>(2)</sup>	1,5	0,05	0,75	-0,7	2	2	-	5	11000005--P2	11000009	
<b>3/2 U - Universal / 3 connections</b>											
<sup>(2)</sup>	1,5	0,05	0,75	-0,7	2	2	-	5	11000007--P2	11000011--P2	
<b>3/2 U - Universal / 4 connections</b>											
<sup>(2)</sup>	1,5	0,05	0,75	-0,7	2	2	-	5	11000008	11000012	

<sup>(2)</sup> Hose connection to ID 1,5 mm flexible tubing.

01004GB-2014/R02 Availability, design and specifications are subject to change without notice. All rights reserved.

### PRINCIPLE OF OPERATION



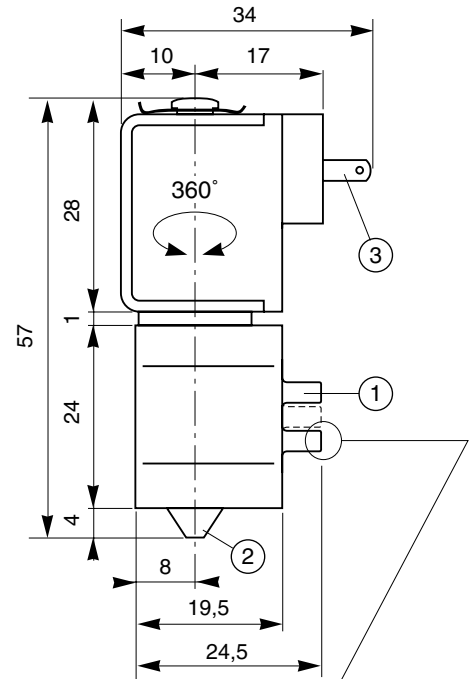
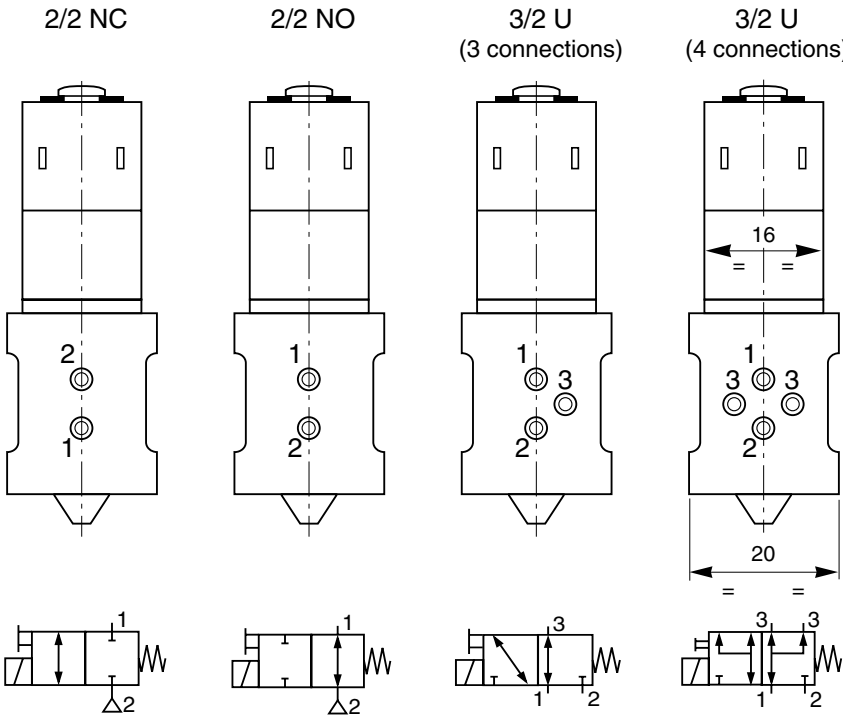
### DIMENSIONS (mm), WEIGHT (kg)



**TYPE 01**  
Prefix "SC" Solenoid  
DIN 43340

11000005..12

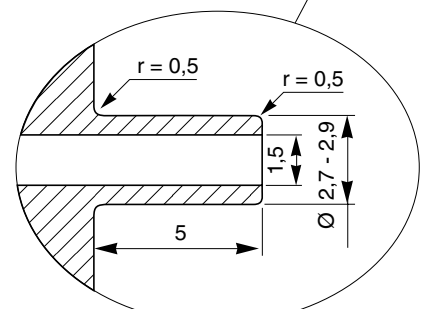
Scale: 1



- ① Hose bibs for connection of ID 1,5 mm flexible tubing
- ② Protected impulse type manual operator
- ③ Coil with two spade terminals 2,8 x 0,5 (DIN 46340)

type	prefix option	weight <sup>(1)</sup>
01	SC	0,46

<sup>(1)</sup> Incl. coil.



Details of hose bib

All leaflets are available on: [www.asconumatics.eu](http://www.asconumatics.eu)

### OPTIONS

- Stainless steel support plate for mounting between body and coil for:
    - 1 solenoid valve, catalogue number **88211001**
    - 2 solenoid valves, catalogue number **88211002**
    - 3 solenoid valves, catalogue number **88211003**
    - 4 solenoid valves, catalogue number **88211004**
    - 5 solenoid valves, catalogue number **88211005**
  - FPM (fluoroelastomer) diaphragm
- For more, contact us

### INSTALLATION

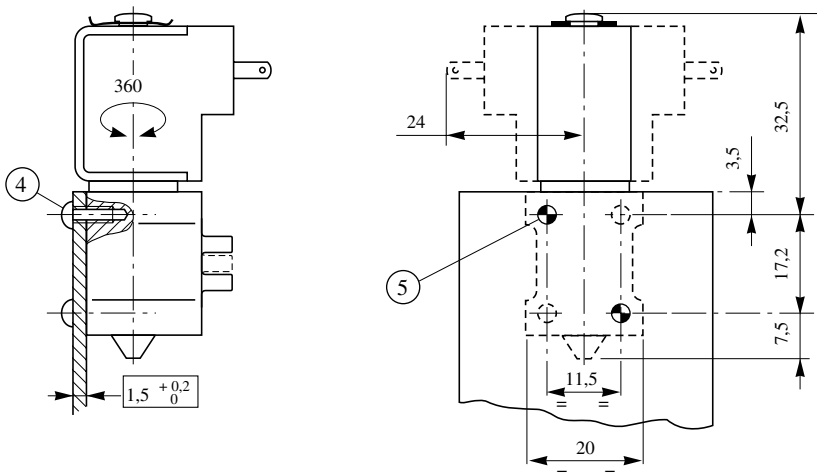
- The solenoid valves can be mounted in any position without affecting operation
- Rear or control support plate mounting possible (see below)
- Hose connection of flexible tubing Ø 1.5 mm ID
- Compact size and simple tubing (see following page)
- Replacement coils are available
- Installation/maintenance instructions are included with each valve

### ORDERING EXAMPLES:

11000006	12V / DC
11000010--P2	24V / DC
catalogue number _____	_____ voltage

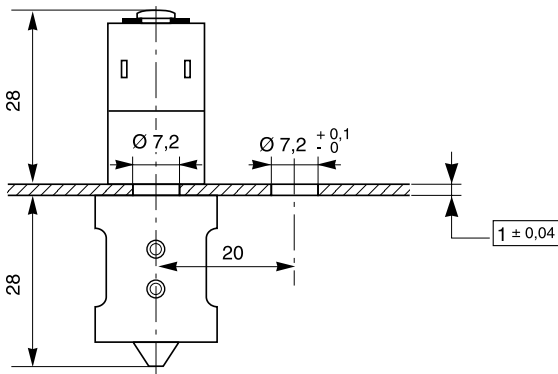
**DIMENSIONS (mm), WEIGHT (kg)**

### REAR MOUNTING



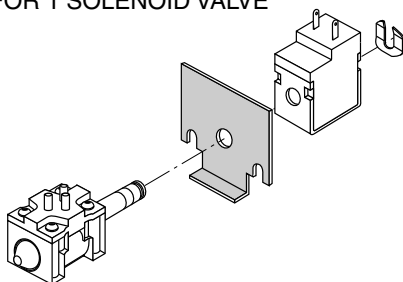
- ④ 2 self thread cutting «Torx» screws  
K 22 x 6 - A2 stainless steel  
(screws delivered)  
- use these screws only  
- use plate with correct thickness  
- max. torque: 0,3 Nm
- ⑤ Two mounting holes 2.5 mm dia.  
Solenoid valve body has four  
holes for mounting purpose

### SUPPORT PLATE MOUNTING (For solenoid valve of corresponding type)

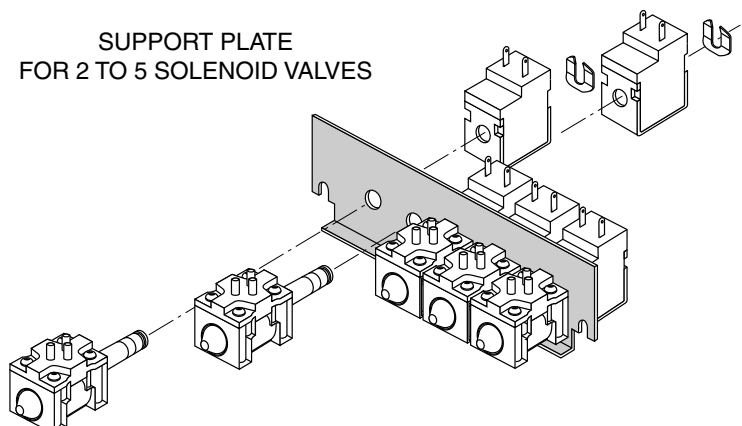


- The panel must be of non-magnetic material.
- To fit to panel, remove the clip and the solenoid valve coil and install as indicated below.

SUPPORT PLATE FOR 1 SOLENOID VALVE



SUPPORT PLATE FOR 2 TO 5 SOLENOID VALVES



DIMENSIONS (mm), WEIGHT (kg)

SUPPORT PLATE FOR 1 TO 5 SOLENOID VALVES

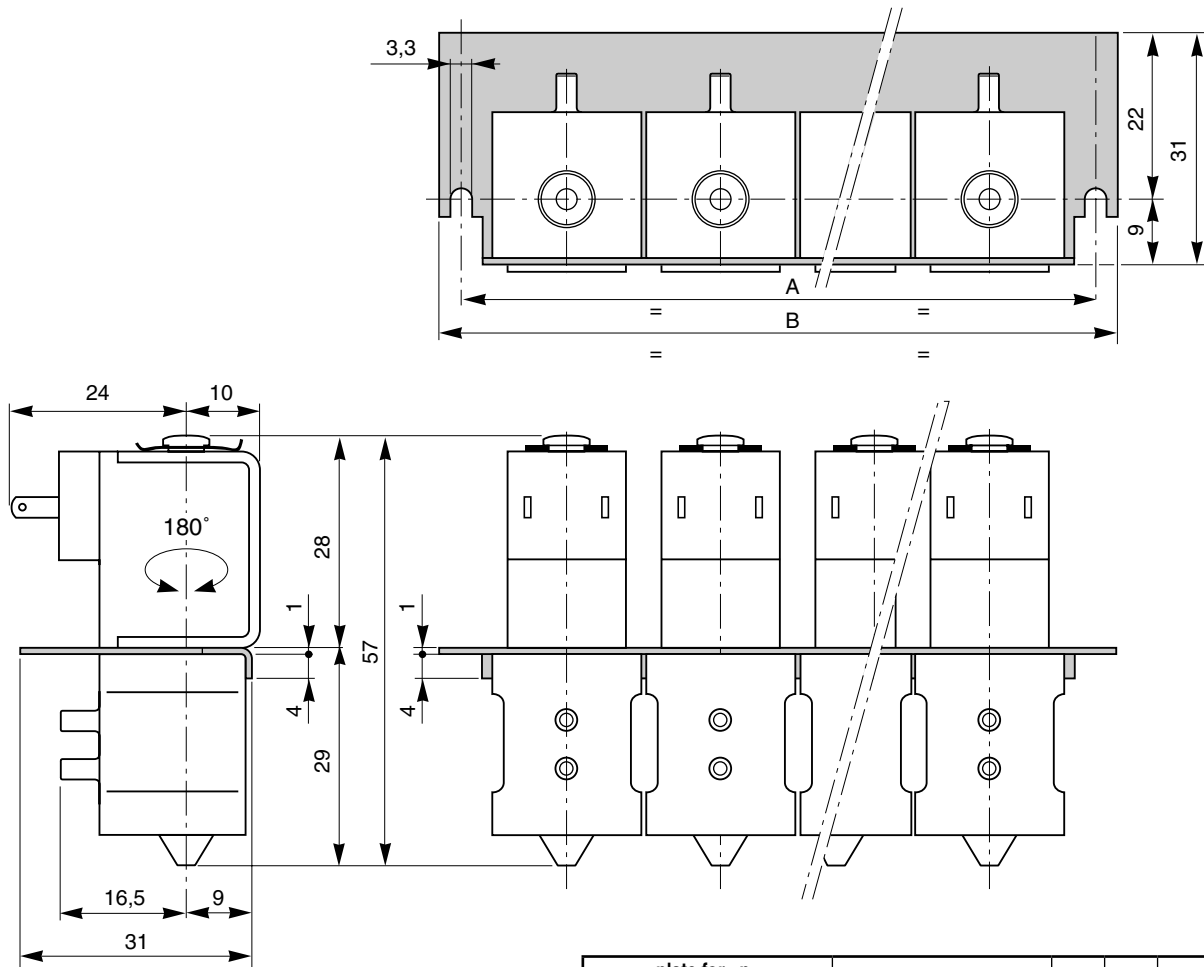
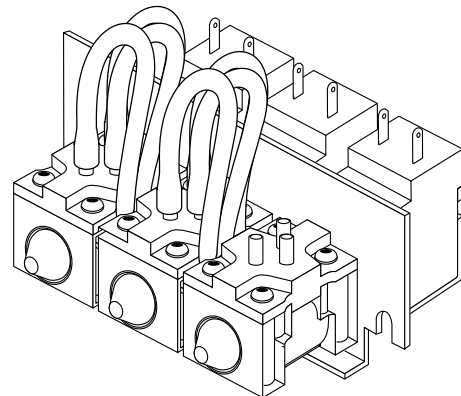
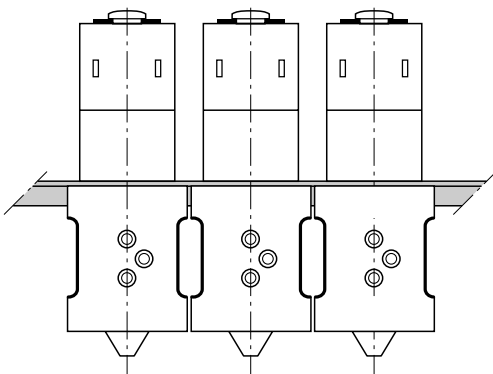


plate for «n» solenoid valves	plate catalogue number	A	B	weight <sup>(1)</sup>
1	<b>88211001</b>	31	40	0,1
2	<b>88211002</b>	51	60	0,15
3	<b>88211003</b>	72	80	0,2
4	<b>88211004</b>	92	100	0,25
5	<b>88211005</b>	113	121	0,3

<sup>(1)</sup> Plate only.

**SIMPLE TUBING**

When valves mounted side by side on a support plate, an area is left open so that tubes pass between valve bodies





# SCATTERGOOD & JOHNSON LTD

ELECTRICAL ENGINEERING & FLUID CONTROL DISTRIBUTORS

Est.1899

At Scattergood & Johnson Ltd, we pride ourselves on being a technical distributor to specialist industries.

Working with a range of quality product suppliers across a number of specialist markets, we are not your average 'box shifter' - we are your technical and supply chain partner.

We fully support every product we sell - for free! Our internal team and external sales engineers can answer any product or application question, no matter the complexity.

Backing up this technical ability is a range of 50,000+ products available from stock for nationwide next day delivery (same day if required!), or you can collect what you need from any of our trade counters around the UK.

Select your specialist interest below to learn more about how we can help.



Online, In Branch and On the Road - Scattergood & Johnson Ltd, there when you need us.

# [www.scatts.co.uk](http://www.scatts.co.uk)