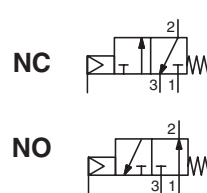




# POPPET VALVES

pressure operated, poppet type  
zamak or light alloy body  
threaded ports, 3/8 to 1 1/2



**3/2**  
Series  
**284-285-286**  
Type  
**DH**

## FEATURES

- Version for valve piloting applications
- Short response times for high cycle applications

## GENERAL

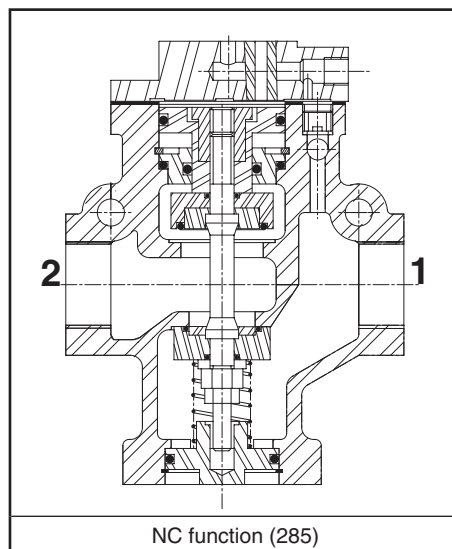
**Operating pressure** See "SPECIFICATIONS" [1 bar =100 kPa]  
**Pilot fluid** Filtered air  
**Max. pilot pressure** 12 bar (Series 284) - 16 bar (Series 285-286)  
**Min. pilot pressure** See "SPECIFICATIONS"  
**Pilot fluid temperature** -10°C to +60°C

fluids (*)	temperature range (TS)	seal materials (*)
air, inert gas, filtered, lubricated or not	- 10°C to + 60°C	NBR (nitrile) PUR (polyurethane)

## MATERIALS IN CONTACT WITH FLUID

(\*) Ensure that the compatibility of the fluids in contact with the materials is verified

	Series 284	Series 285-286
<b>Body</b>	Zamak	Light alloy, treated
<b>Disc</b>	PUR	NBR
<b>Internal parts, springs</b>	Steel, light alloy, POM	Light alloy, Stainless steel
<b>Seals</b>	NBR	NBR



## SPECIFICATIONS

pipe size		orifice size (mm)	flow at 6 bar (l/min (ANR))	flow coefficient Kv (l/min)	pilot pressure (bar) ( <sup>(1)</sup> )		operating pressure (bar)		catalogue number	
1 - 2 (G)	3 (G)				min.	max.	min.	max. (PS) air , inert gas (*)	poppet valve	+
<b>NC - Normally closed</b>										
3/8	1/2	12	4500	64	2	12	2	12	28490001	+ 88128408
1/2	1/2	15	6000	85					28490002	
3/4	1	26	12500	180					28590213	
1	1	26	12500	180	28590215					
1 1/4	1 1/2	40	35000	500	2	16	2	16	28690021	
1 1/2	1 1/2	40	35000	500					28690023	
<b>NO - Normally open</b>										
3/8	1/2	12	4500	64	2	12	2	12	28490004	+ 88128408
1/2	1/2	15	6000	85					28490005	
3/4	1	26	12500	180					28590214	
1	1	26	12500	180	28590216					
1 1/4	1 1/2	40	35000	500	2	16	2	16	28690022	
1 1/2	1 1/2	40	35000	500					28690024	

(<sup>1</sup>) The pilot pressure must be equal or superior to the pressure in the valve

00382GB-2017/R01  
Availability, design and specifications are subject to change without notice. All rights reserved.

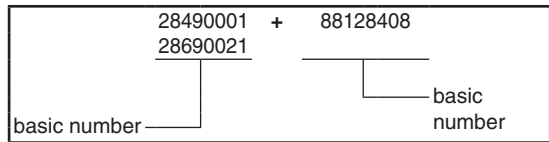
**OPTIONS**

- Function 2/2 NC or NO, function 3/2 with amplifier, on request
- Suitable for vacuum applications (Series 284, 1/2 only)
- 3/2 version for mixing or distributing operations

**INSTALLATION**

- The valves can be mounted in any position without affecting operation
- Pipe connections (G) have standard thread according to ISO 228/1
- Installation/maintenance instructions are included with each valve

**ORDERING EXAMPLES:**

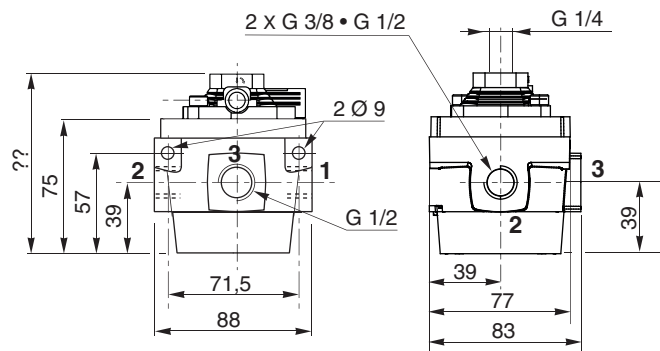


**ENCOMBREMENTS (mm), MASSES (kg)**



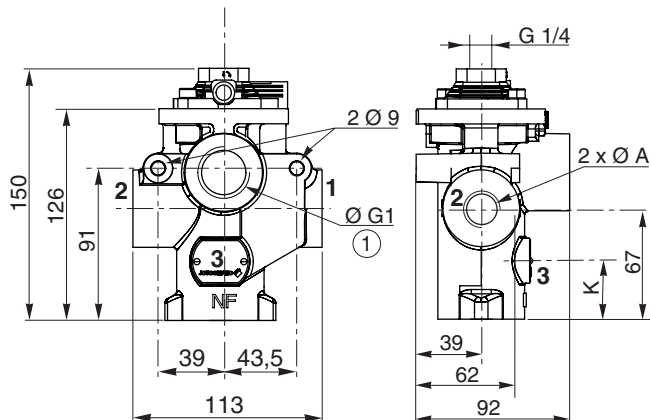
**TYPE 01**  
284 series  
3/8 - 1/2

28490001/2/4/5 + 88128408



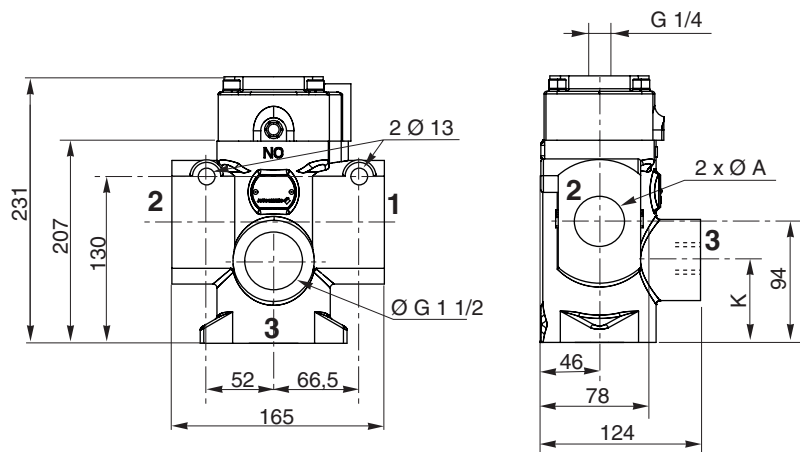
**TYPE 02**  
285 series  
3/4 - 1

28590213/215/214/216 + 88128408



**TYPE 03**  
286 series  
1 1/4 - 1 1/2

28690021/23/22/24



type	pipe size	K		weight
		NC	NO	
02	3/4 - 1	88	45	1,11

① To be plugged for use as 2 ports valve.

type	pipe size	K		weight
		NC	NO	
03	1 1/4 - 1 1/2	124	64	3,8



# SCATTERGOOD & JOHNSON LTD

ELECTRICAL ENGINEERING & FLUID CONTROL DISTRIBUTORS

Est.1899

At Scattergood & Johnson Ltd, we pride ourselves on being a technical distributor to specialist industries.

Working with a range of quality product suppliers across a number of specialist markets, we are not your average 'box shifter' - we are your technical and supply chain partner.

We fully support every product we sell - for free! Our internal team and external sales engineers can answer any product or application question, no matter the complexity.

Backing up this technical ability is a range of 50,000+ products available from stock for nationwide next day delivery (same day if required!), or you can collect what you need from any of our trade counters around the UK.

Select your specialist interest below to learn more about how we can help.



Online, In Branch and On the Road - Scattergood & Johnson Ltd, there when you need us.

# [www.scatts.co.uk](http://www.scatts.co.uk)