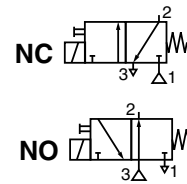


JOUCOMATIC

POPPET VALVES
solenoid air operated
G3/8 to G1 1/2 tapped body



3/2
Series
284-285-286
Type
DH

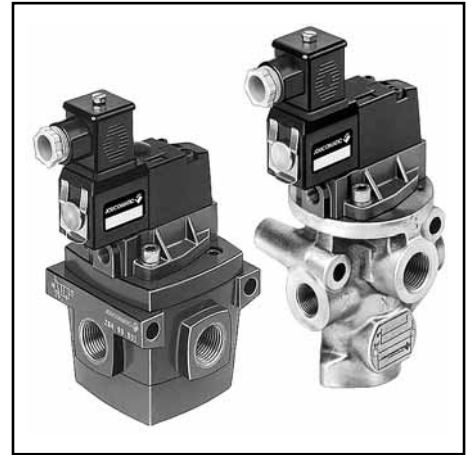
GENERAL

FLUID : air or neutral gas, filtered, lubricated or not
 PRESSURE : 2 to 10 bar (Pilot 190)
 : 2 to 12 bar (Pilot 192)
 MAX. ALLOW. TEMPERATURE : - 10 °C ; + 60 °C
 FLOW (Qv at 6 bar) : see table below
 PILOT PRESSURE : In external supply, the pressure of the pilot fluid **must be at least** equal to the fluid pressure

CONSTRUCTION

Series 284
Body : die-casting zinc alloy
Sealing : nitrile (NBR)
and polyurethane (PUR)
Internal parts : light alloy
and acetal resin (POM)

Series 285/286
Body and internal parts : light alloy
Sealing : nitrile (NBR)



ELECTRICAL CHARACTERISTICS OF PILOTS

Type of sol. valve	Voltages		Consumption		Insulation class	Protection degree	Electrical connection
	~	=	Inrush	Hold			
Series 190	~	24V-48V-115V-230V - 50 Hz	9 VA	4 VA (3 W)	F	IP 65	Connector ISO 4400 rotatable x 90° - CM 10 (Pg 11P) with simplified connections
	=	12V-24V-48V-115 V	3 W				
Series 192	~	24V-115V-230V - 50 Hz	12 VA	6 VA (4 W)	F	IP 65	
	=	24V	5 W				

The solenoid valve 190 is dual voltage (24 V~, 12 V=) (48V~, 24V=) (115 V~, 48 V=) (230 V~, 115 V=)

CHOICE OF EQUIPMENT

FUNCTION NC Normally closed at rest					Manual override : ▼ : impulse		2 CODES		Connecteur type	Reference
Port Ø		Orifice Ø (mm)	Flow		VALVE	+	PILOT			
1 and 2	3		at 6 bar l/min (ANR)	Coeff. KV						
G 3/8	G 1/2	12	4500	64	28490040 28490041 28590238 28590239 28690025* 28690026*	+	19000022	with connector (LED)	-	
G 1/2	G 1/2	15	6000	85			19000046		without connector	-
G 3/4	G 1	26	12500	180			19000018	with connector (LED)	G/DH 304/O	
G 1	G 1	26	12500	180			19200085		G/DH 305/O	
G 1 1/4	G 1 1/2	40	35000	500			19260079		with M12 connection	GDM/DH 306/O
G 1 1/2	G 1 1/2	40	35000	500			19200030		without connector	GDM/DH 307/O

FUNCTION NO Normally open at rest					Manual override : ▼ : impulse		2 CODES		Connecteur type	Reference
Port Ø		Orifice Ø (mm)	Flow		VALVE	+	PILOT			
1 and 2	3		at 6 bar l/min (ANR)	Coeff. KV						
G 3/8	G 1/2	12	4500	64	28490042 28490043 28590240 28590241 28690027* 28690028*	+	19000022	with connector (LED)	-	
G 1/2	G 1/2	15	6000	85			19000046		without connector	-
G 3/4	G 1	26	12500	180			19000018	with connector (LED)	G/DH 304/F	
G 1	G 1	26	12500	180			19200085		G/DH 305/F	
G 1 1/4	G 1 1/2	40	35000	500			19260079		with M12 connection	GDM/DH 306/F
G 1 1/2	G 1 1/2	40	35000	500			19200030		without connector	GDM/DH 307/F

*This equipment is always supplied with an intermediate amplifier for valves 3/2 - Ø 8 mm, Series 261 (26190067)

OPTIONS : see overleaf

Availability, design and specifications are subject to change without notice. All rights reserved.

OPTIONS

- Other voltages or 60Hz frequency on request
- Applications as a valve 2/2 (NC or NO), 3/2 with an amplifier, 3/2 or with pressure selection (can be used with vacuum - cat no. **28490027**)
- Solenoid pilot 192 with solenoid head for dusty explosive atmospheres (**DU**), zone 22
- Solenoid valve, intrinsically safe "I" (consult us).
- Connector with cable outlet, 2 m long : cat no. **88122612**
- Connector with transil protection (see "Coils and Accessories" section)
- Solenoid valve with connector and built-in visual indicator and protection :

Solenoid valve **without** connector ——— + ——— Connector with built-in visual indicator and RC protection

Type of solenoid valve	(M)	CODE of solenoid valve without connector
190 NC	×	19000013
	●	19000014
	▼	19000018
192 NC (1)	×	19200022
	●	19200023
	▼	19200024

CODES			
24 V (~/=)	48 V (~/=)	115 V (~/=)	230 V (~/=)
88122603	88122604	88122605	88122608

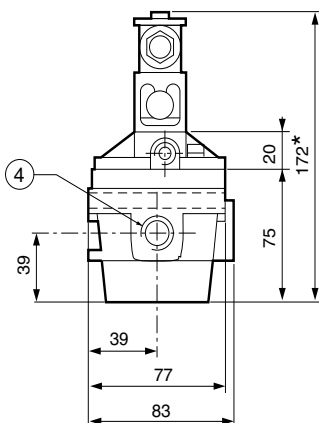
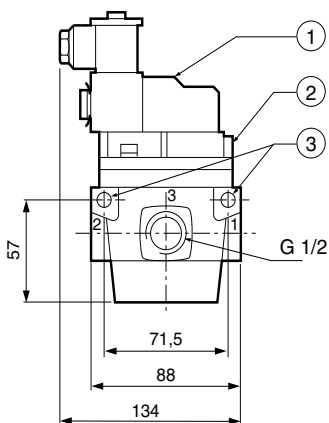
(M) Type of manual override on pilot(s) : × : without ● : screw ▼ : impulse

(1) Solenoid valve series 192 - 3/2 NC - Ø 2.1mm with exhaust in subbase

DIMENSIONS AND WEIGHTS

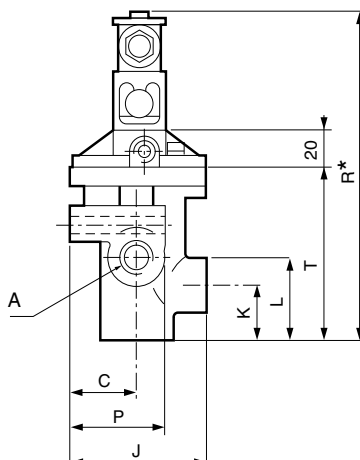
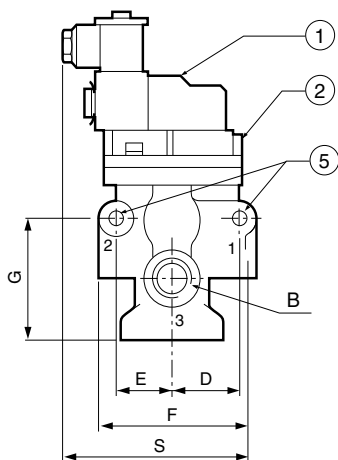
VALVE Series 284

Weight : 1.700 Kg



- ① Manual override
- ② Orifice G 1/8 for external supply
- ③ Side mounting : 2 Ø 9
- ④ 2 Ø G 3/8 or G 1/2
- ⑤ Side mounting : 2 Ø N
- * + 15 mm for plug removal

VALVE Series 285 - 286



Orifices 1 & 2 Ø A	Orifices 3 Ø B	C	D	E	F	G	J	K NC NO	L	ØN	P	R	S	T	⚖ (kg)
G 3/4 G 1	G1	39	43,5	39	113	91	92	88 45	67	9	62	223	149	126	1,450
G 1 1/4 G 1 1/2	G1 1/2	46	66,5	52	165	130	124	124 64	94	13	78	333	176	207	4,150



SCATTERGOOD & JOHNSON LTD

ELECTRICAL ENGINEERING & FLUID CONTROL DISTRIBUTORS

Est.1899

At Scattergood & Johnson Ltd, we pride ourselves on being a technical distributor to specialist industries.

Working with a range of quality product suppliers across a number of specialist markets, we are not your average 'box shifter' - we are your technical and supply chain partner.

We fully support every product we sell - for free! Our internal team and external sales engineers can answer any product or application question, no matter the complexity.

Backing up this technical ability is a range of 50,000+ products available from stock for nationwide next day delivery (same day if required!), or you can collect what you need from any of our trade counters around the UK.

Select your specialist interest below to learn more about how we can help.



Online, In Branch and On the Road - Scattergood & Johnson Ltd, there when you need us.

www.scatts.co.uk