

MANUALLY AND MECHANICALLY OPERATED VALVES

Product Index



ports/positions	Function		pipe connections				max. pressure (bar)	flow at 6 bar l/min (ANR)	type of operator		technology		Type	Illustration	Series	Page
	NC	NO	- instant fittings O.D. (mm) - internal thread ØG		button / lever	pedal			poppet	spool						
	4	1/8	1/4	3/8												
Manually operated valves																
3/2	●	●					8	112	●				micro-valve		307	1
	●						10	280	●		●				310	5
3/2	●	●					10	200	●			●	mini spool valve		550	7
5/2																
3/2	●	●					10	860	●	●		●	spool valve		551	09
5/2							10	860-1610	●	●		●			551 552	11
5/3							10	760-1610	●			●			551 552	13
5/2							10	655		●		●		ZF2E	15	

00399GB-2017/R01
Availability, design and specifications are subject to change without notice. All rights reserved.

All leaflets are available on: www.asco.com

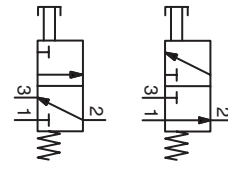
Manually & Mechanically operated valves - I

ports/positions	Function		pipe connections			max. pressure (bar)	flow at 6 bar l/min (ANR)	technology		Type	Illustration	Series	Page
	NC	NO	- instant fittings O.D. (mm)	- internal thread ØG	ØG			poppet	spool				
Mechanically operated valves													
3/2	●					8	140	●	●	micro-valve		309	17
3/2	●					8	140	●		micro-valve		308	19
3/2	●					10	280	●	●	micro-valve		310	21
3/2	●	●				10	200		●	mini spool valve		550	23
5/2													
3/2	●					10	860		●	spool valve		551	25
5/2													
3/2	●	●				10	406		●	micro-valve		320	27
Two-hand pneumatic safety start units and blocks												336	
Sensors													
Sensors with or without mechanical contact												333	
Falling pressure sensors													See "Pneumatic Automation"



MANUALLY OPERATED PILOT VALVE

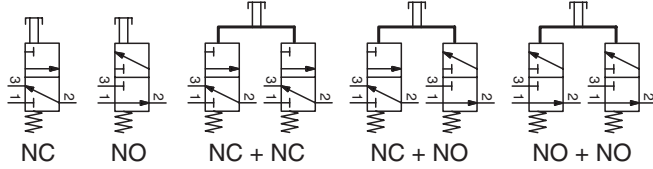
for panel mounting Ø 22
instant fittings for Ø 4 mm O.D. tube or G 1/8



3/2
Series
307

FEATURES

- Microvalve composed of an operating head, an adaptor, an intermediary subbase and one or two pneumatic modules.
- Modules allowing the following combination of functions:



- Adaption of metal or plastic buttons designed to meet the highest quality standards.
- Secure and robust fastening of the button on the microvalve.



GENERAL

Fluid	Air filtered, lubricated or no
Ports	Instant fittings Ø 4 O.D. or G 1/8
Operating pressure	0 to 8 bar
Ambient temperature	-5°C to +60°C
Operators	Manual
Flow (Qv at 6 bar)	112 l/min (ANR)
Nominal diameter	2 mm

CONSTRUCTION

Popet valve construction	Internal parts in stainless steel and elastomer
Body diecast	Exhaust port not tapped

SPECIFICATIONS - METAL operating head and adaptor

		pilot valve		operating head	adaptor	intermediary subbase + pneumatic(s) module(s)						
	designiation	type	color	cat. number	cat. number	connect.	cat. number	cat. number				
	flush push button	impulse	black	88130757	88130754	Ø 4 mm O.D.						
			green	88130758								
			red	88130759								
	mushroom* button Ø 40	push-turn	red	88130770				G 1/8	NC	30701009	NC+NC	30701011
			push-pull	red						88130752	NO	30701010
		impulse	red	88130762					NO	30701013	NC+NC	30701015
			black	88130763						NO	30701014	NC+NO
	switch button	2 positions fixed	black	88130771								
			key operated button	key removal at 0 and 1								black
	lever switch button	2 positions fixed		black			88130760					
		3 positions fixed		black	88130767							
		3 positions self centring		black	88130766							

*These components are not security mechanism

Order example :

1 pilot valve, instant fittings ports, with impulse black flush push button, NC :
1x **88130757** + 1x **88130754** + 1x **30701009**

00400GB-2017/R01
Availability, design and specifications are subject to change without notice. All rights reserved.

SPECIFICATIONS - PLASTIC operating head and adaptor

		pilot valve	operating head	adaptor		intermediary subbase + pneumatic module(s)						
			or	=	+	+	or					
designation	type	color	cat. number	cat. number	connect.	cat. number	cat. number					
	flush push button	impulse	black	88130745	88130753	+						
			green								88130744	
			red								88130743	
	mushroom* button Ø 40	push-turn	red	88130740			Ø 4 mm O.D.	NC	30701009	NC+NC	30701011	
			impulse	red				88130741	NO	30701010	NC+NO	30701012
				black				88130742				
	switch button Ø 60	impulse	black	88130748			G1/8	NC				30701013
			2 positions fixed	black				88130739	NO	30701014	NC+NO	30701016
	key operated button	key removal at 0 and 1	black	88130738								
	lever switch button	2 positions fixed		black								88130737
		3 positions fixed		black	88130736							
		3 positions self centring		black	88130735							

*These components are not security mechanism

Order example:

1 pilot valve, connection G 1/8, with impulse red flush push button, NC+NC :
 1x **88130743** + 1x **88130753** + 1x **30701015**

OPERATION OF 3 POSITION SWITCHES

type	operation on module		left	right
	left	right		
3 positions fixed		0	not operated	not operated
		1	not operated	operated
		2	operated	not operated
3 positions self centring		0	not operated	not operated
		1	not operated	operated
		2	operated	not operated

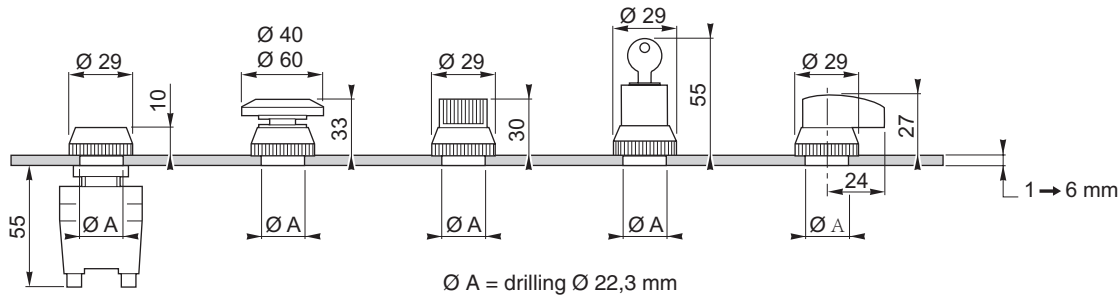
SEPARATED PNEUMATIC MODULES

connection	function	cat. number
instant fittings Ø 4 mm O.D.	NC	30701001
	NO	30701002
tapped G 1/8	NC	30701005
	NO	30701006

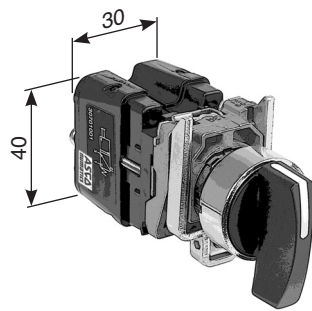
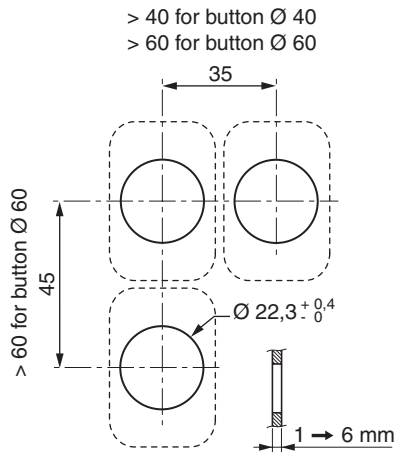
INTERMEDIARY SUBBASE

	cat. number
	88130775

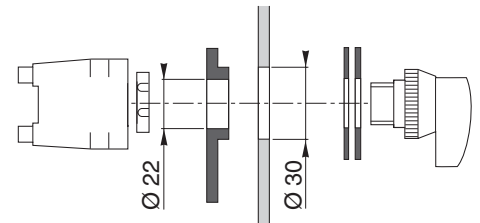
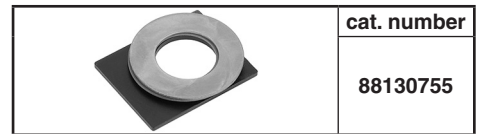
DIMENSIONS



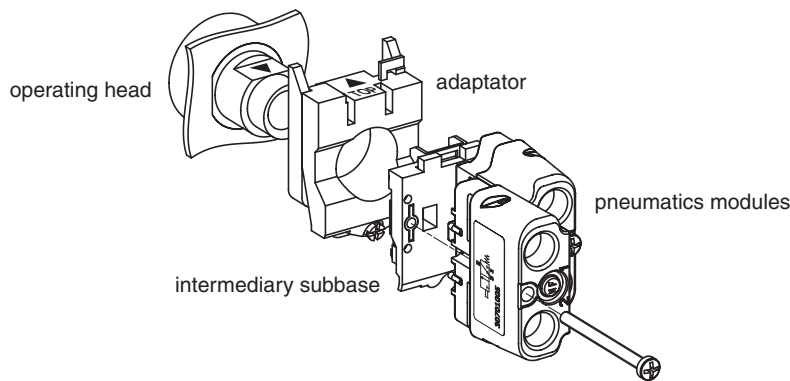
PANEL DRILLING



REDUCING ADAPTER
Ø 30 → Ø 22 mm

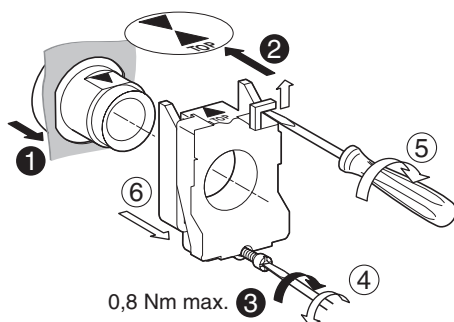


MOUNTING



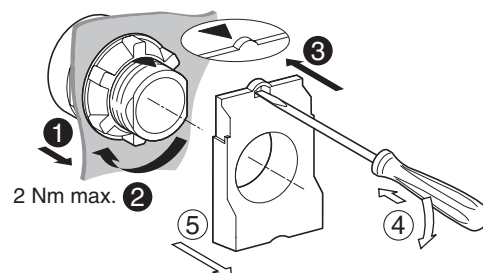
metal operating head

- ➔ ① ② ③ ← mounting
- ← ④ ⑤ ⑥ ➔ dismantling

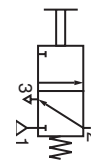


plastic operating head

- ➔ ① ② ③ ← mounting
- ↔ ④ ⑤ ↔ dismantling



00400GB-2017/R01
Availability, design and specifications are subject to change without notice. All rights reserved.



SPECIFICATIONS

FLUID	: Air or neutral gas, filtered, lubricated or not
PORTS	: instant fittings Ø4 O.D. or G 1/8
PRESSURE	: 0 to 10 bar
TEMPERATURE	: -5°C to +60°C
FLOW (Qv at 6 bar)	: 280 l/min (ANR)
Ø NOMINAL	: 3,5 mm

CONSTRUCTION

Spool and poppet design closed centre
 Body zinc diecasting
 Internal parts acetal
 Sealing NBR (nitrile)



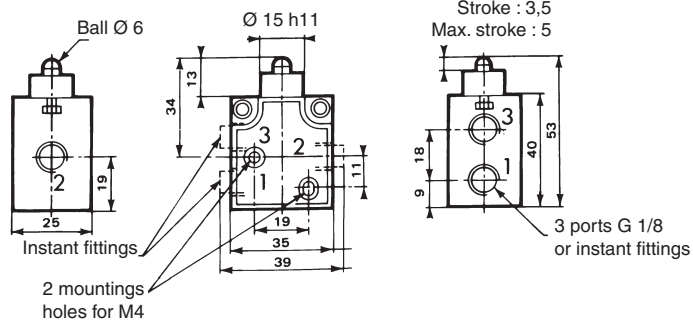
CHOICE OF EQUIPMENT

FUNCTION NC Normally closed		 1 = Pressure 2 = Outlet 3 = Exhaust		CODES	
Type	Description	Operating effort (daN)	Head ALONE	COMPLETE PILOT VALVE	
				Instant fittings	G 1/8
—	Valve alone BODY NC	5	—	31090002	31090001
	Push button Ø 40	5	88131007	31000015	31000008
	Impulse mushroom Ø 60	5	88131004	31000016	31000009
	Lever positive 2 maintained positions	—	88131003	31000017	31000010

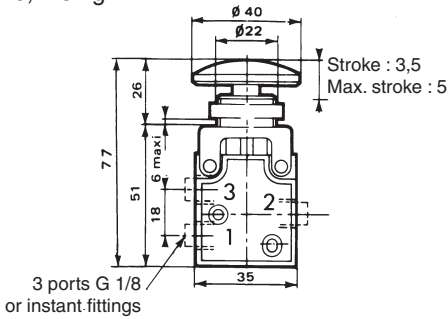
00401GB-2017/R01
Availability, design and specifications are subject to change without notice. All rights reserved.

DIMENSIONS AND WEIGHTS

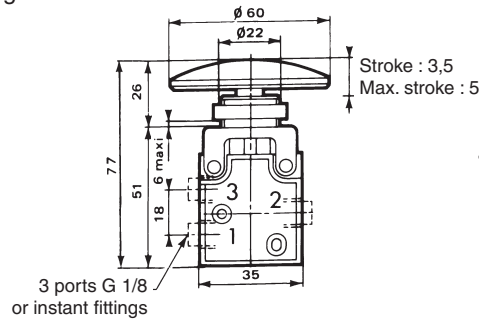
Valve alone
Weight : 0,100 kg



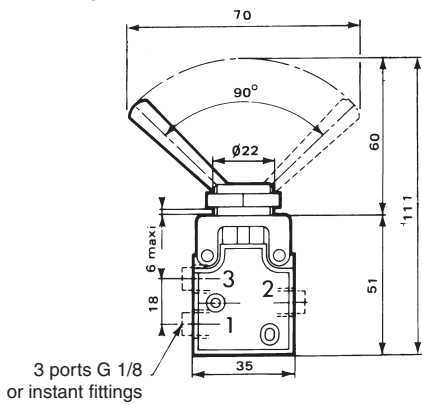
Button Ø 40
Weight : 0,145 kg



Impulse mushroom Ø 60
Weight : 0,150 kg



Lever positive, 2 maintained positions
Weight : 0,120 kg





MINI SPOOL VALVE

manually operated
G 1/8

3/2-5/2
Series
550

SPECIFICATIONS

FLUID	: Air or neutral gas, filtered, lubricated
PRESSURE	: 0 to 10 bar
TEMPERATURE	: -10 °C to +60 °C
FUNCTIONS	: 3/2 - 5/2
PORTS	: G 1/8
FLOW (Qv at 6 bar)	: 200 l/min (ANR)

CONSTRUCTION

Body anodized light alloy
Covers light alloy and acetal
Internal parts light alloy
Sealing nitrile (NBR)
Button synthetic resin
Possible mounting panel (percing Ø 16,5)
The 3/2 spool valve can be used as a 3/2 NC or 3/2 NO version, by connecting as indicated opposite



Ports of 3/2	
NC	NO
1 = Pressure	Exhaust
2 = Outlet	Outlet
3 = Exhaust	Pressure
Ports of 5/2	
1 = Pressure	
2,4 = Outlets	
3,5 = Exhausts	

CHOICE OF EQUIPMENT

	Symbols Functions	Operators		CODES
		Pilot	Return	
3/2		Push button	Spring	55000040
		Push-pull button		55000039
		Lever - lever detented		55000043
5/2		Push button	Spring	55000009
		Push-pull button		55000010
		Lever - lever detented		55000011

00402GB-2017/R01
Availability, design and specifications are subject to change without notice. All rights reserved.

All leaflets are available on: www.asco.com

Manually & Mechanically operated valves (3/2 - 5/2) - 7

DIMENSIONS AND WEIGHTS

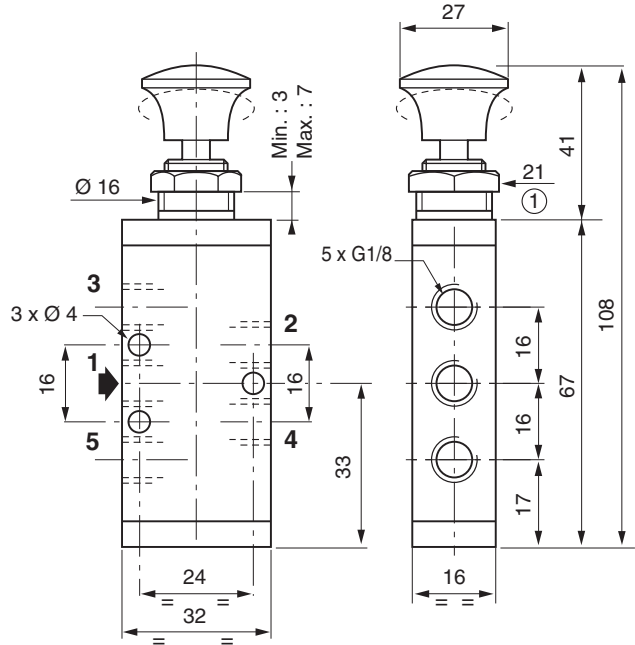
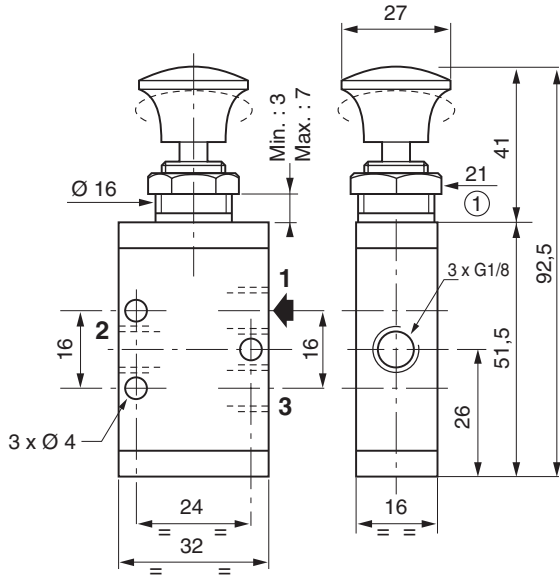
3/2

PUSH BUTTON / SPRING RETURN
PUSH-PULL BUTTON

Weight : 74 g

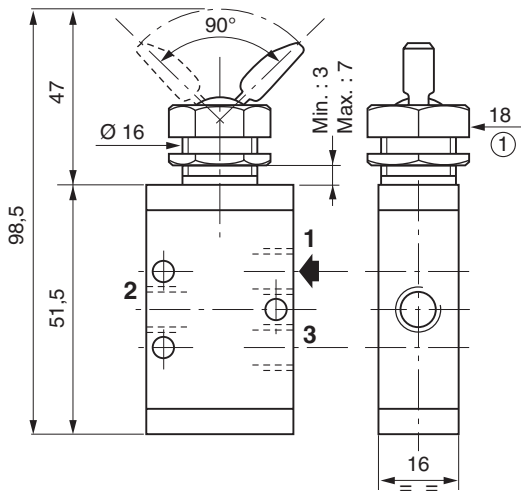
5/2

Weight : 94 g

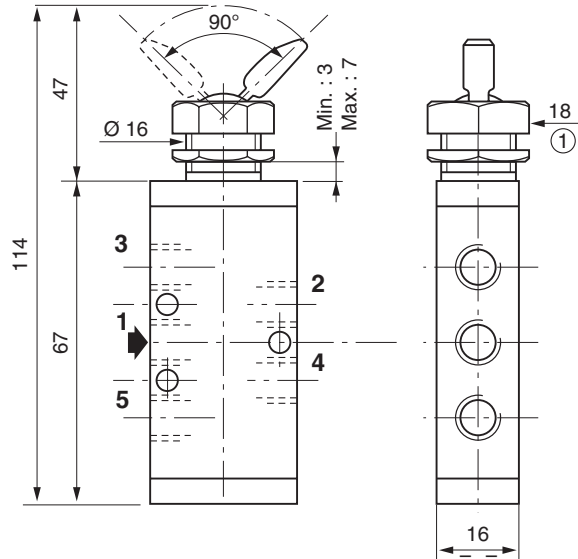


LEVER - LEVER DETENTED

Weight : 76 g



Weight : 92 g



① Dimensions on flats

SPECIFICATIONS

FLUID	: air or neutral gas, filtered, lubricated or not
PORTS	: G 1/4
PRESSURE	: 0 to 10 bar
TEMPERATURE	: -25°C to +60°C
FLOW (Qv at 6 bar)	: 860 l/min (ANR)

CONSTRUCTION

Environmentally-protected construction
 Body: treaded aluminium
 Internal parts: zinc diecasting, steel,
 stainless steel, acetal (POM)
 Sealings: nitrile (NBR) and polyurethane (PUR)

For 3/2 NC
 connection
 1 = Pressure
 2 = Outlet
 3 = Exhaust



CHOICE OF EQUIPMENT

[Configurator - CAD Files](#)

Symbols functions	Operators		CODES
	Pilot	Return	
LEVER OPERATED			
	Lever - Lever detented		55102088
	Lever	Spring	55102089
PEDAL OPERATED			
	Pedal 2 positions		55102090
	Pedal	Spring	55102091
BUTTON OPERATED			
	Button	Spring	55102082
	Button push-pull		55102083

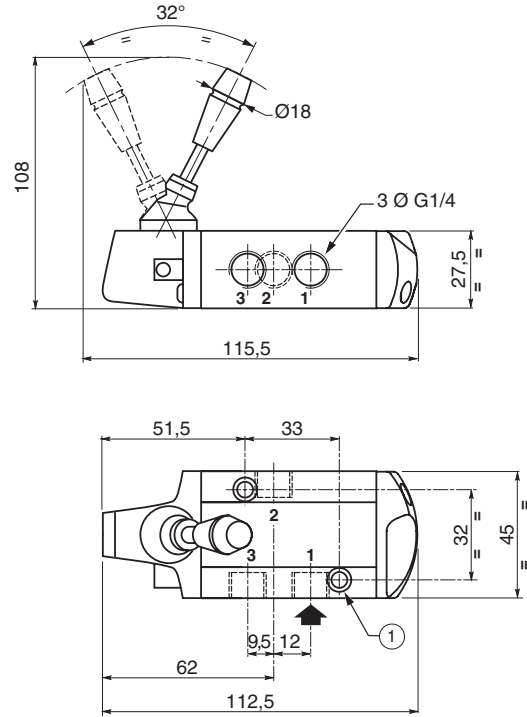
Note: do not connect the pressure supply to the exhaust port 3. For a "distributing" function or use in NO function, contact us.

These products exist in versions [5/2](#) and [5/3](#)

DIMENSIONS AND WEIGHTS

VALVE LEVER OPERATED

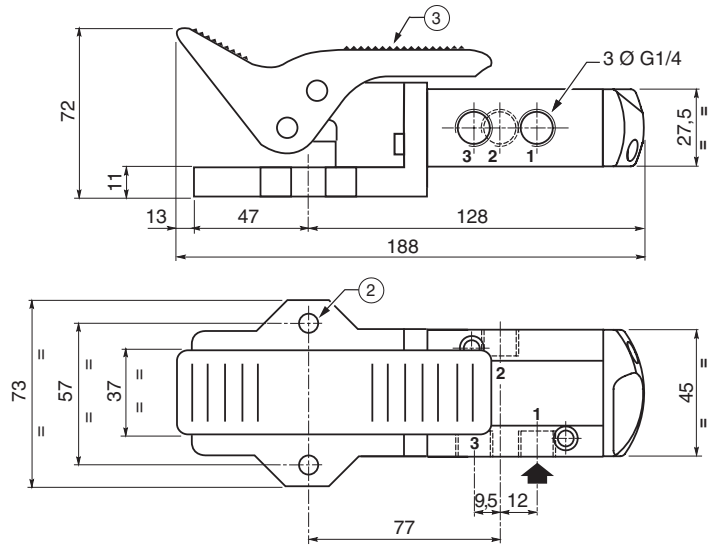
Weight: 0,360 kg



[Configurator - CAD Files](#)

VALVE PEDAL OPERATED

Weight: 0,515 kg

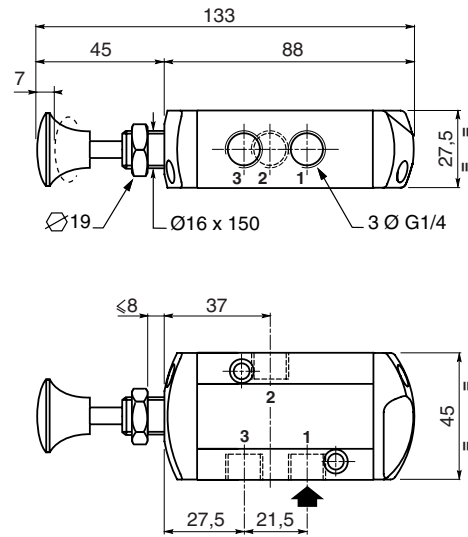


- ① 2 fixing holes : Ø 5,3 - counterbore : Ø 9, dept 5
- ② 2 fixing holes : Ø 8,5
- ③ Return pedal 2 positions

BUTTON

BUTTON PUSH-PULL

Weight: 0,230 kg



SPOOL VALVE

hand or foot operated
G 1/4 - G 3/8

5/2
Series
551-552

SPECIFICATIONS

FLUID	: air or neutral gas, filtered, lubricated (G 3/8) or not (G 1/4)
PORTS	: G 1/4 - G 3/8
PRESSURE	: 0 to 10 bar
TEMPERATURE	: -25°C to +60°C
FLOW (Qv at 6 bar)	: see table below

CONSTRUCTION

series 551

Environmentally-protected construction
Body G 1/4, treated aluminium
Internal parts: zinc diecasting, steel, stainless steel, acetal (POM)
Sealings: nitrile (NBR) and polyurethane (PUR)

series 552

Body G 3/8, in light alloy
Internal parts: stainless steel, light alloy
Sealings: nitrile (NBR)



1	= Pressure
2,4	= Outlets
3,5	= Exhausts

CHOICE OF EQUIPMENT

[Configurator - CAD Files](#)

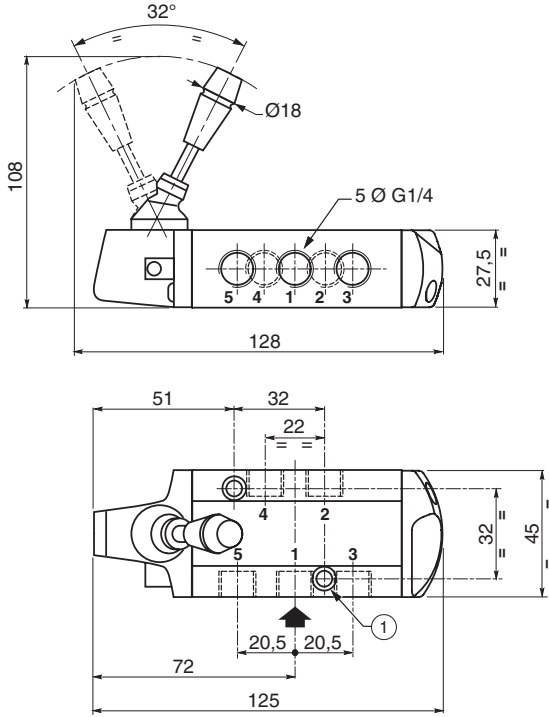
Symbols functions	Operators		Ø ports	Flow at 6 bar l/min (ANR)	CODES
	Pilot	Return			
LEVER OPERATED					
	Lever - Lever detented		G 1/4	860	55102092
	Lever 2 positions		G 3/8	1610	55200036
	Lever	Spring	G 1/4	860	55102093
			G 3/8	1610	55200037
PEDAL OPERATED					
	Pedal 2 positions		G 1/4	860	55102094
	Pedal	Spring	G 1/4	860	55102095
BUTTON OPERATED					
	Buton	Spring	G 1/4	860	55102085
	Button push-pull		G 1/4	860	55102086

DIMENSIONS AND WEIGHTS

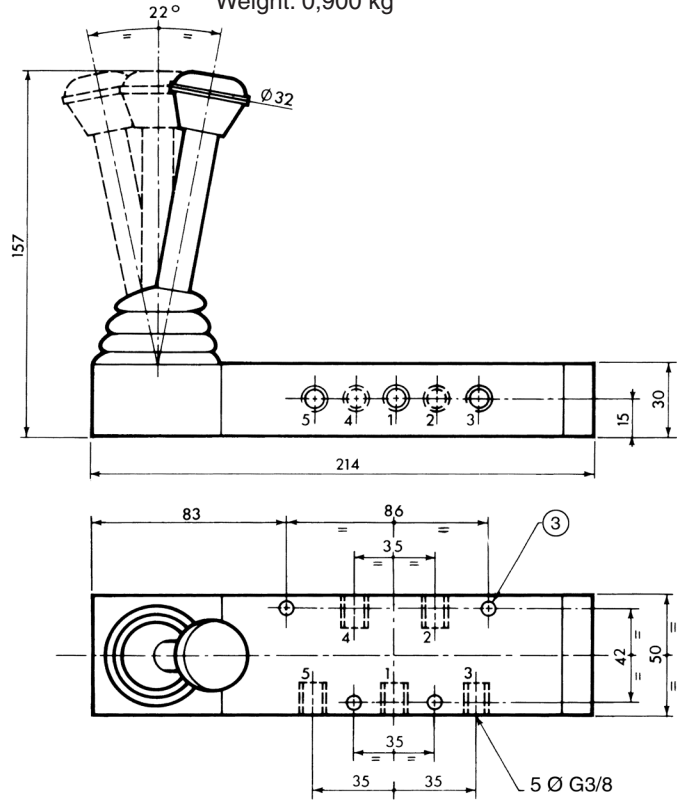
[Configurator - CAD Files](#)

VALVE LEVER OPERATED

Series 551: ports G 1/4
Weight: 0,390 kg



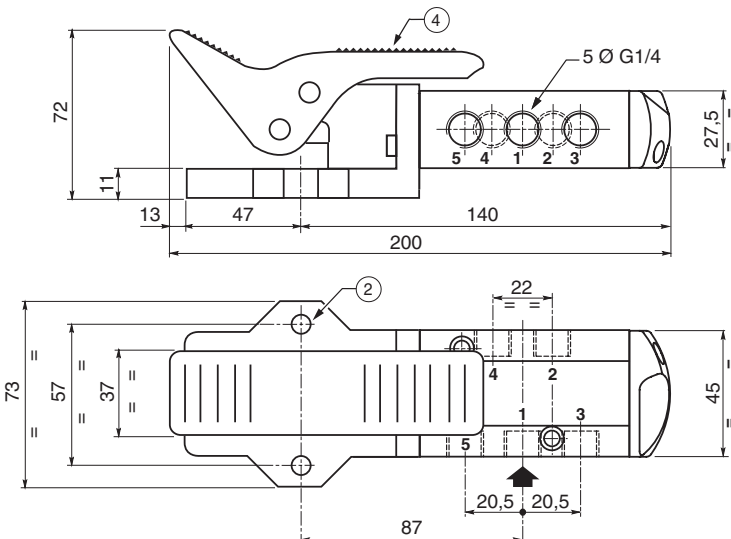
Series 552: ports G 3/8
Weight: 0,900 kg



- ① 2 fixing holes: Ø 5,3 - counterbore : Ø 9, dept 5
- ② 2 fixing holes: Ø 8,5
- ③ 4 fixing holes: Ø 5,5
- ④ Return pedal 2 positions

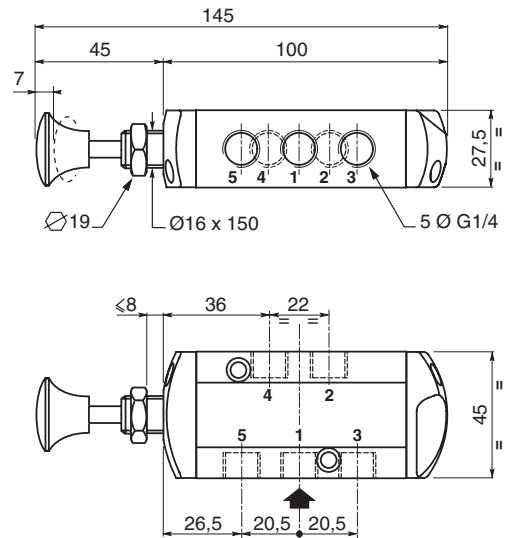
VALVE PEDAL OPERATED

Series 551: ports G 1/4
Weight: 0,545 kg



BUTTON, BUTTON PUSH-PULL

Series 551: ports G 1/4
Weight: 0,265 Kg



SPECIFICATIONS

FLUID	: air or neutral gas, filtered, lubricated (G 3/8) or not (G 1/4)
PORTS	: G 1/4 - G 3/8
PRESSURE	: 0 to 10 bar
TEMPERATURE	: -25°C to +60°C
FLOW (Qv at 6 bar)	: See table below

CONSTRUCTION

series 551

Environmentally-protected construction
Body G 1/4, treated aluminium
Internal parts: zinc diecasting, steel, stainless steel, acetal (POM)
Sealings: nitrile (NBR) and polyurethane (PUR)

series 552

Body G 3/8, in light alloy
Internal parts: stainless steel, light alloy
Sealings: nitrile (NBR)



1 = Pressure
2,4 = Outlets
3,5 = Exhausts

CHOICE OF EQUIPMENT

[Configurator - CAD Files](#)

	Symbols functions	Operators	Ø ports	Flow at 6 bar l/min (ANR)	CODES
5/3 closed position (W1)		Lever 3 positions detented (W1)	G 1/4	760	55102096
			G 3/8	1610	55200038
		Lever 3 positions spring to centre (W1)	G 1/4	760	55102097
			G 3/8	1610	55200039
5/3 open position to exhaust (W3)		Lever 3 positions detented (W3)	G 1/4	760	55102098
		Lever 3 positions spring to centre (W3)	G 1/4	760	55102099

00405GB-2016/R01
Availability, design and specifications are subject to change without notice. All rights reserved.

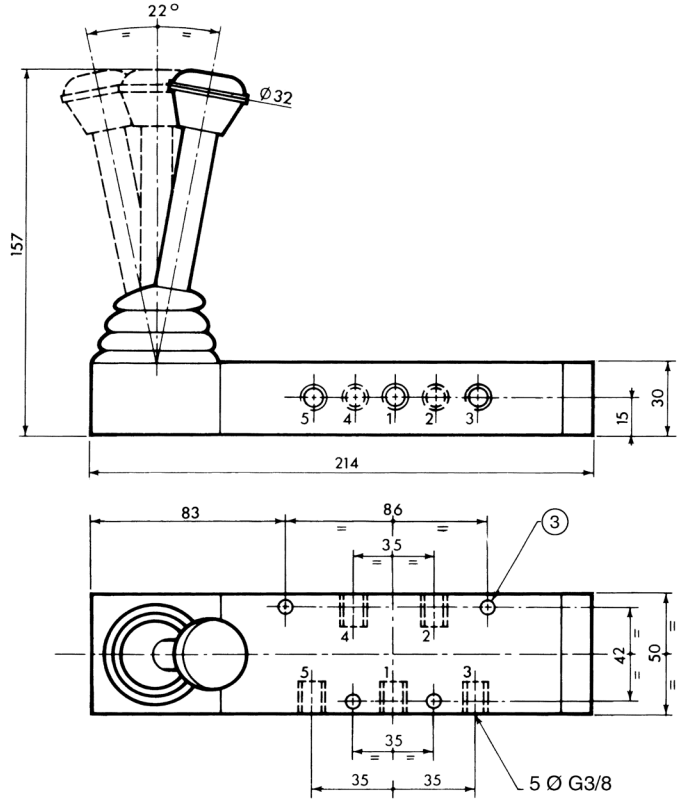
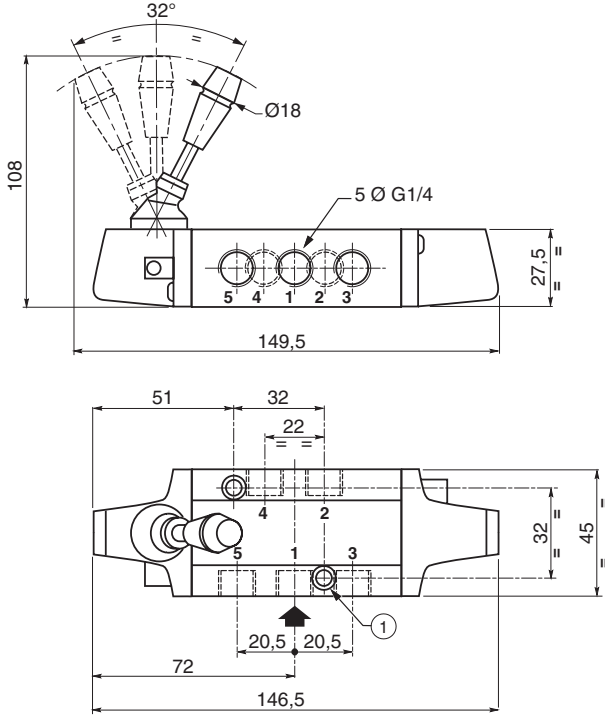
DIMENSIONS AND WEIGHTS

VALVE LEVER OPERATED

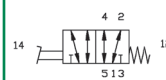
[Configurator - CAD Files](#)

Series 551: ports G 1/4
Weight: 0,510 kg

Series 552 : ports G 3/8
Weight: 0,900 kg



- ① 2 fixing holes: Ø 5,3 - counterbore : Ø 9, dept 5
- ② 4 fixing holes: Ø 5,5



FEATURES

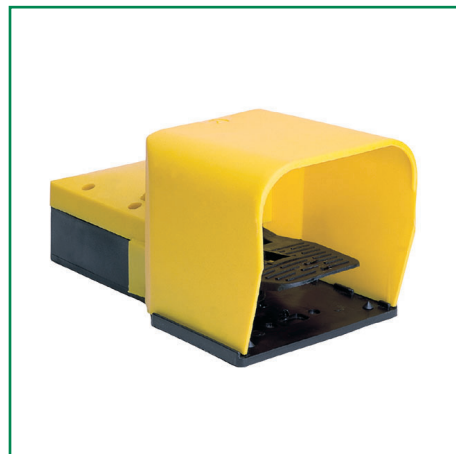
- valve with a covering cap
- Spring return or pedal return

SPECIFICATIONS

Fluid Air or neutral gas, filtered, lubricated or not
Ports G 1/4
Pressure 2 to 10 bar
Temperature -25°C to +60°C
Flow (Qv at 6 bar) 655 l/min (ANR)

CONSTRUCTION

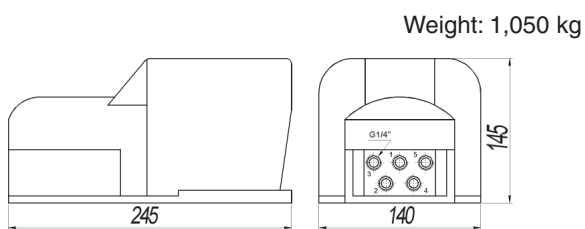
Covering cap Shock-resistant plastic (polyethylene) in signal yellow
Housing Shock-resistant plastic (polyethylene) in black
Internal parts Anodized or nickel plated aluminium, stainless, brass
Seals NBR (nitrile)



SPECIFICATIONS

	Symbols functions	Operators		catalogue number
		Pilot	Return	
5/2		Pedal 2 positions		ZF2FD400OG00000
		Pedal	Spring	ZF2FA400OG00000

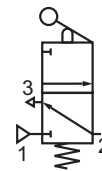
DIMENSIONS (mm), WEIGHT (kg) (mm)



00615GB-2016/R01
 Availability, design and specifications are subject to change without notice. All rights reserved.

PILOT VALVE

mechanically operated
instant fittings for Ø 4mm OD tube



SPECIFICATION

FLUID	: Air filtered, lubricated or not
PORTS	: Instant fittings for flexible tube Ø 4 mm OD
PRESSURE	: 0 to 8 bar
TEMPERATURE	: -5°C to +50°C
OPERATORS	: Mechanical
FLOW (Qv at 6 bar)	: 140 l/min (ANR)
Ø NOMINAL	: 2,5 mm

CONSTRUCTION

- Spool and poppet design closed centre
- Body zinc diecasting
- Internal parts in stainless steel and elastomer
- Instant fittings in brass
- Sealing NBR (nitrile)
- Built-in silencer



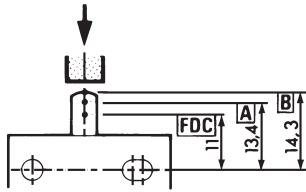
CHOICE OF EQUIPMENT

FUNCTION NC Normally closed		 Mechanical operator	Effort (daN) Supply pressure			1 = Pressure 2 = Outlet 3 = Exhaust (not tapped)
Operating head + body Type	Description		2 bar	5 bar	8 bar	
	Simple push	1	1,7	2,5	30900002	
	Lever roller plastic roller	0,5	0,9	1,3	30900003	
	Lever roller ball bearing roller	0,5	0,9	1,3	30900001	
	1 way trip plastic roller (Life : 1 million cycles)	0,5	0,9	1,3	30900004	
	Threaded head push (*)	1	1,7	2,5	30900006	

(*) The pilot valve with a threaded head, is equipped with a treated steel stop rig which allows the valve to be used as an end stop (max. force 200 kg, 50 mm dia. cylinder).

00407GB-2017/R01
Availability, design and specifications are subject to change without notice. All rights reserved.

MOUNTING

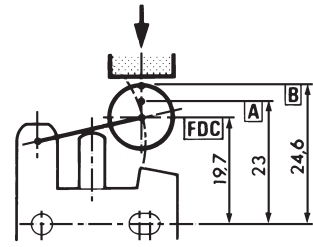


Front Actuation

A : Actuating point
(small flow established)

B : Release point

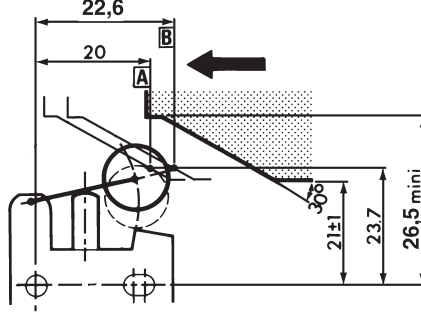
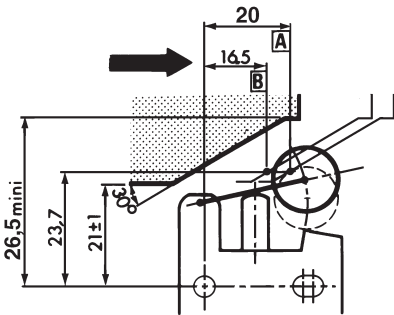
FDC : End of stroke position



Lever roller

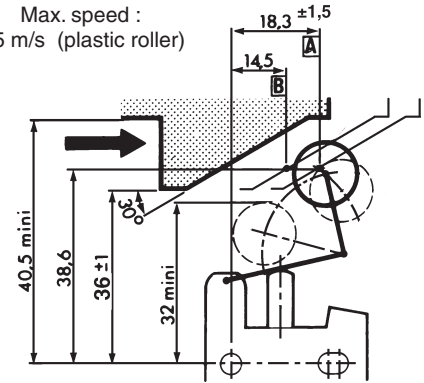
Max. speed :
1 m/s (plastic roller)
0,3 m/s (ball bearing roller)

**Side operation
30°**



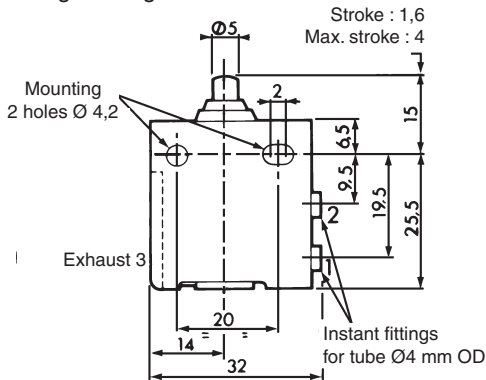
1 way trip plastic roller

Max. speed :
0,5 m/s (plastic roller)

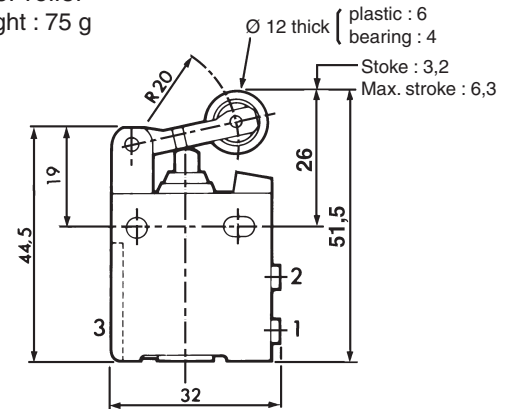


DIMENSIONS AND WEIGHTS

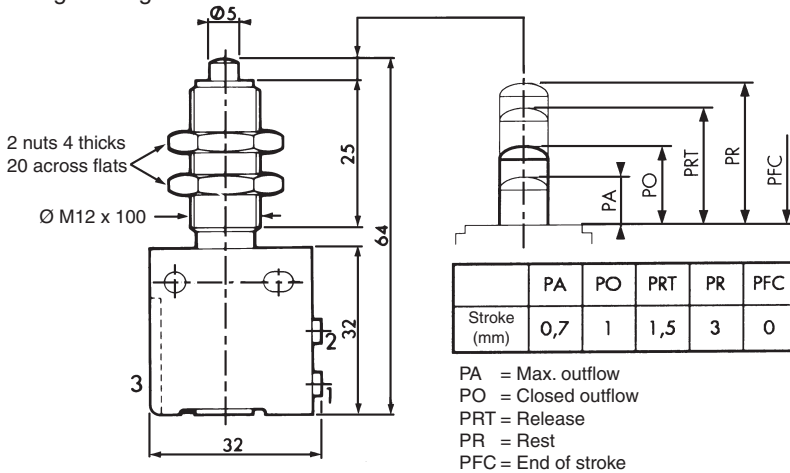
Tapped
Weight : 65 g



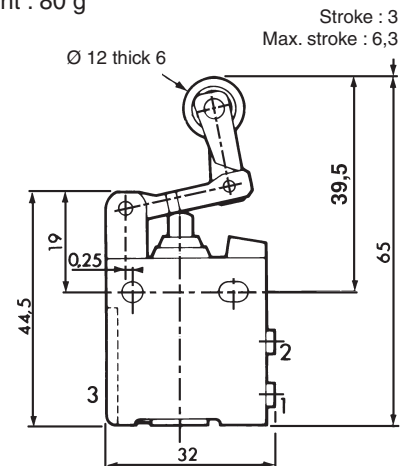
Lever roller
Weight : 75 g



Push button
Weight : 80 g



1 way trip plastic roller
Weight : 80 g

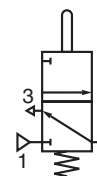




HEAVY DUTY PILOT VALVE

mechanically operated
instant fittings
for Ø 4 mm OD tube or G 1/8

NC



3/2
Series
308

SPECIFICATION

FLUID	: Air filtered, lubricated or not
PORTS	: instant fittings for Ø 4 mm OD tube or G 1/8
PRESSURE	: 0,1 to 8 bar
TEMPERATURE	: -5°C to +50°C
FLOW (Qv at 6 bar)	: 140 l/min (ANR)
Ø NOMINAL	: 2,5 mm
OPERATING HEADS	: Mechanical
IMPLANTING	: CENELEC EN 50047 CNOMO n° 06.05.35

CONSTRUCTION

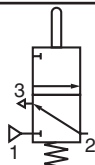
Centre closed poppet valve
Body diecast
Internal parts in stainless steel and elastomer
Built-in exhaust silencer (exhaust port can be piped G 1/8)
Instant fittings brass



CHOICE OF EQUIPMENT

Operating head		Action	Effort (daN) with 8 bar	CODES		
Type	Operator			Operating head ALONE	Valve body + operating head	
				Instant fittings	Tapped G 1/8	
	Single lever plastic roller	Left and right	1,2	88130801 (*)	30800009	30800015
	Single lever bearing roller (CNOMO 06.05.35)	Left and right	1,2	88130802 (*)	30800010	30800016
	Adjustable lever with plastic roller	Left and right	0,4 to 1,2	88130803 (*)	30800011	30800017
	Adjustable lever with ball bearing roller	Left and right	0,4 to 1,2	88130804 (*)	30800012	30800018
	Flexible lever	Left and right	0,3 to 1,2	88130807 (*)	30800027	30800030
	Rotating head alone	Left and right	-	-	30800001	30800005

FUNCTION NC
Normally closed



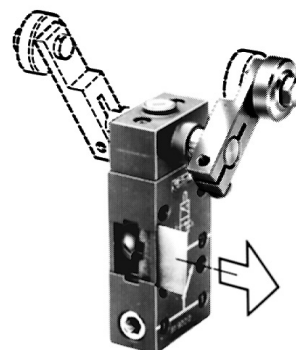
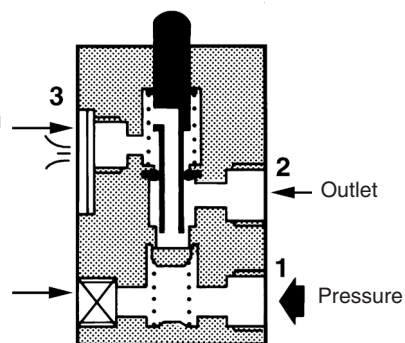
1 = Pressure
2 = Outlet
3 = Exhaust

(*) The different levers are fitted to the valve fitted with a head with a side spindle (code **30800001** or **30800005**)

CONNECTING

Exhaust
Flat silencers removable revealing an G 1/8 port.

Alternative pressure port G 1/8 in this case plug port (1).



All leaflets are available on: www.asco.com

Manually & Mechanically operated valves (3/2) - 19

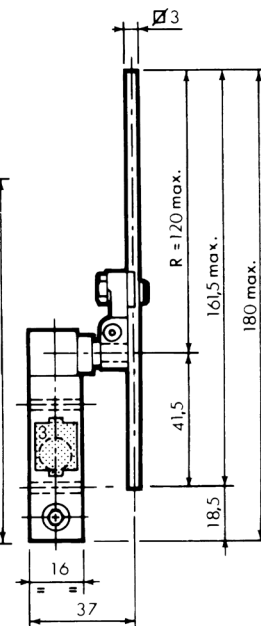
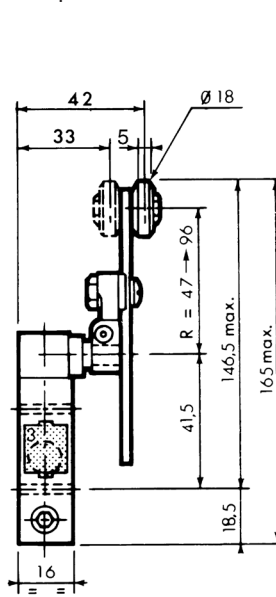
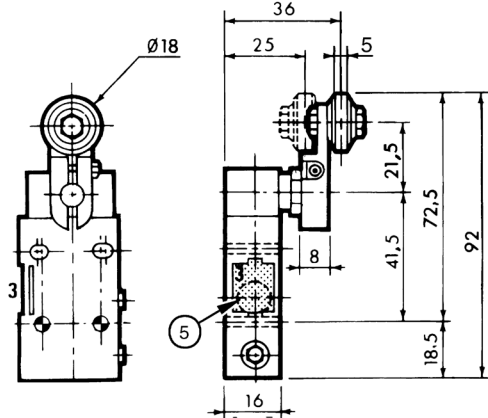
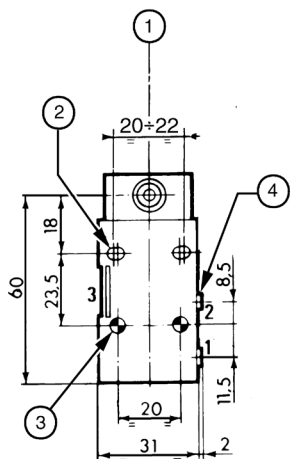
DIMENSIONS AND WEIGHTS (Max. weight : 0,200 kg)

Valve with rotating head alone

Single lever plastic roller

Adjustable lever with plastic roller or

Flexible lever



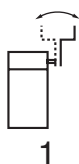
- ① Axe of the levers
- ② CENELEC mounting 2 holes Ø 4.2
- ③ CNOMO mounting 2 holes Ø 5.2
- ④ Instant fittings for tube Ø 4 mm or G 1/8
- ⑤ Exhaust with built-in silencer (can be piped G 1/8)

MOUNTING : SELECTING CONTROL POSITION

Single lever :

4 possible actions function of:

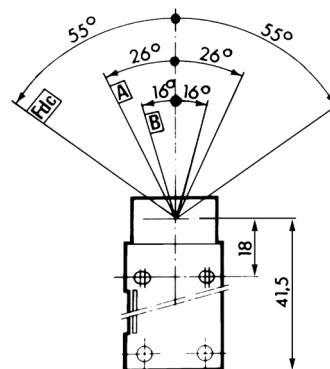
- (1) lever axe in relation to be head
- (2) roller position in relation to the lever



Upright adjustable lever :

2 possible mountings, by tilting the lever

Lever all types on rotating head



- A** Actuation point (small flow established)
- B** Release point
- Fdc** End of stroke position

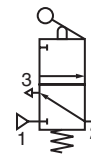
PILOT VALVE

mechanically operated

instant fittings

for Ø 4 mm OD tube or G 1/8

NC



3/2
Series
310

SPECIFICATIONS

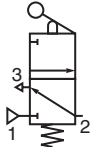
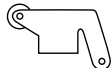
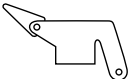
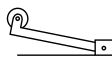
FLUID	: Air or neutral gas, filtered, lubricated or not
PORTS	: instant fittings for Ø 4 mm OD tube or G 1/8
PRESSURE	: 0 to 10 bar
TEMPERATURE	: -5°C to +60°C
FLOW (Qv at 6 bar)	: 280 l/min (ANR)
Ø NOMINAL	: 3,5 mm

CONSTRUCTION

Spool and poppet design closed centre
 Body zinc diecasting
 Internal parts POM (acetal)
 Sealing NBR (nitrile)



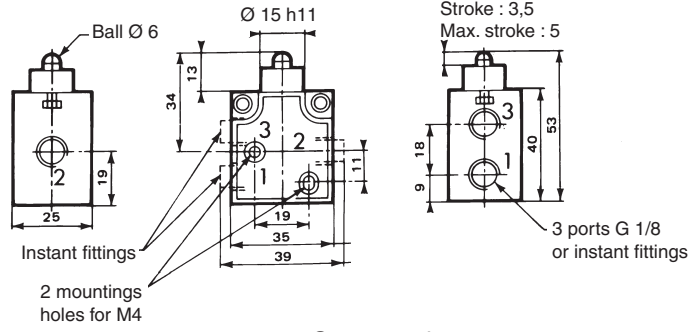
CHOICE OF EQUIPMENT

FUNCTION NC Normally closed		 1 = Pressure 2 = Outlet 3 = Exhaust		CODES	
Type	Description	Effort (daN)	Head ALONE	ASSEMBLY (valve + head)	
				Instant fittings	G 1/8
—	Valve alone BODY NC	5	—	31090002	31090001
	Lever roller acetal	2	88131001	31000011	31000004
	One way trip acetal	1,5	88131002	31000012	31000005
	Lever roller metal	2	88131005	31000013	31000006

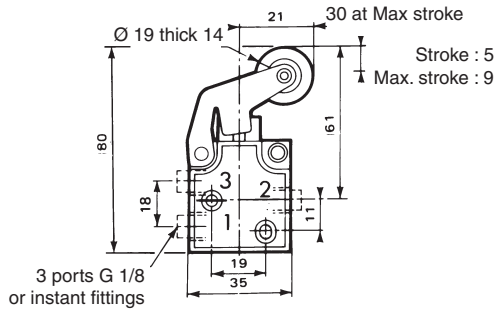
00409GB-2017/R01
 Availability, design and specifications are subject to change without notice. All rights reserved.

DIMENSIONS AND WEIGHTS

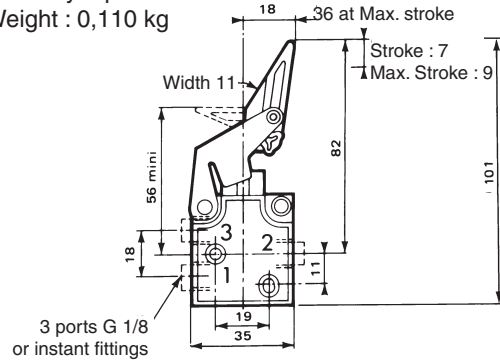
Valve alone
Weight : 1,100 kg



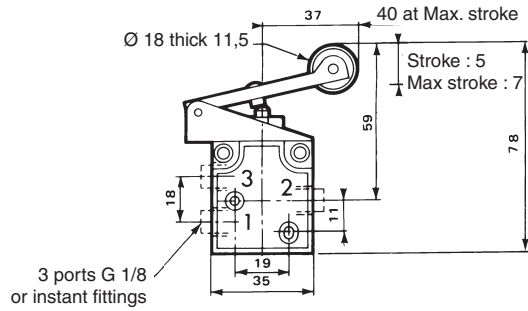
Lever roller
Weight : 0,110 kg



One way trip
Weight : 0,110 kg



Lever metal
Weight : 0,145 kg



SPECIFICATIONS

FLUID	: Air or neutral gas, filtered, lubricated
PRESSURE	: 0 to 10 bar
TEMPERATURE	: -10°C to +60°C
FUNCTIONS	: 3/2 - 5/2
PORTS	: G 1/8
FLOW (Qv at 6 bar)	: 200 l/min (ANR)

CONSTRUCTION

Body anodized light alloy
 Covers light alloy and acetal (POM)
 Internal parts light alloy
 Sealing NBR (nitrile)
 Lever and tappet steel
 The 3/2 spool valve can be used as a 3/2 NC or 3/2 NO version, by connecting as indicated opposite



Ports of 3/2	
NC	NO
1 = Pressure	Exhaust
2 = Outlet	Outlet
3 = Exhaust	Pressure
Ports of 5/2	
1 = Pressure	
2,4 = Outlets	
3,5 = Exhausts	

CHOICE OF EQUIPMENT

	Symbols Functions	Operators		Operating effort (daN)	CODES
		Pilot	Return		
3/2		Roller-lever	Spring	2	55000046
		Tappet	Spring	3	55000047
5/2		Roller-lever	Spring	2	55000012
		Tappet	Spring	3	55000052

OPTION

Mini spool valve with one way trip (contact us).

00410GB-2017/R01
Availability, design and specifications are subject to change without notice. All rights reserved.

DIMENSIONS AND WEIGHTS

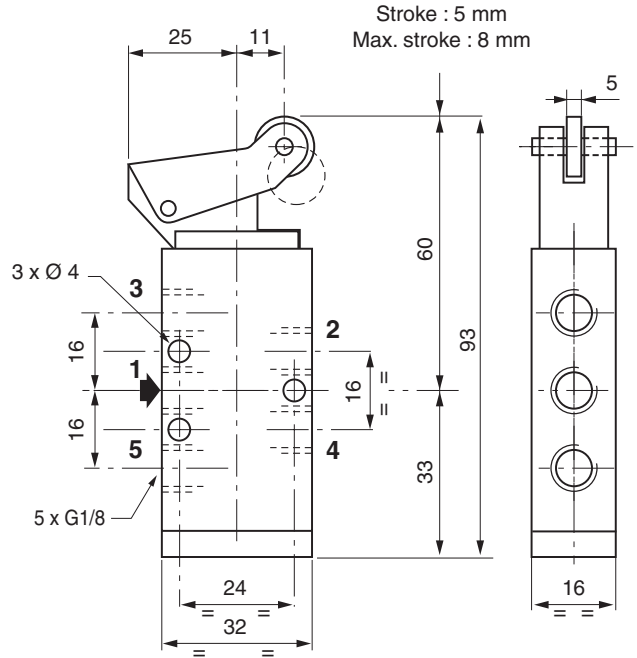
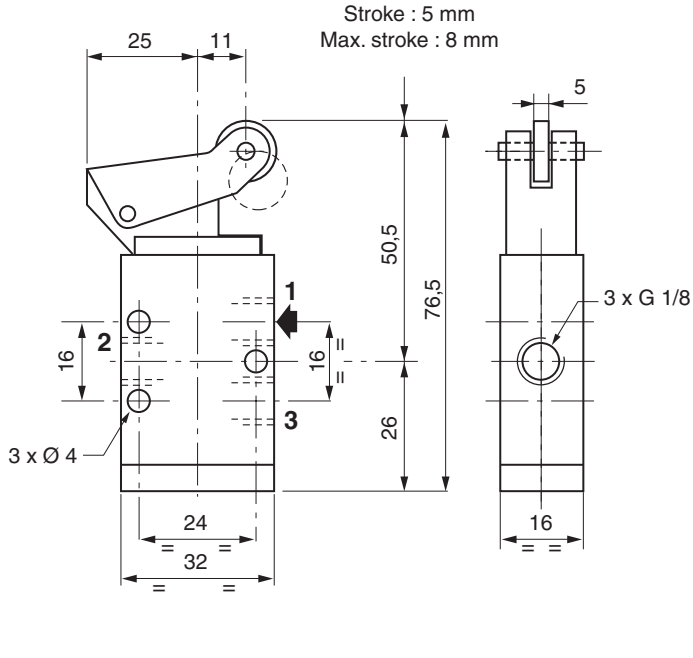
3/2

5/2

ROLLER-LEVER

Weight : 77 g

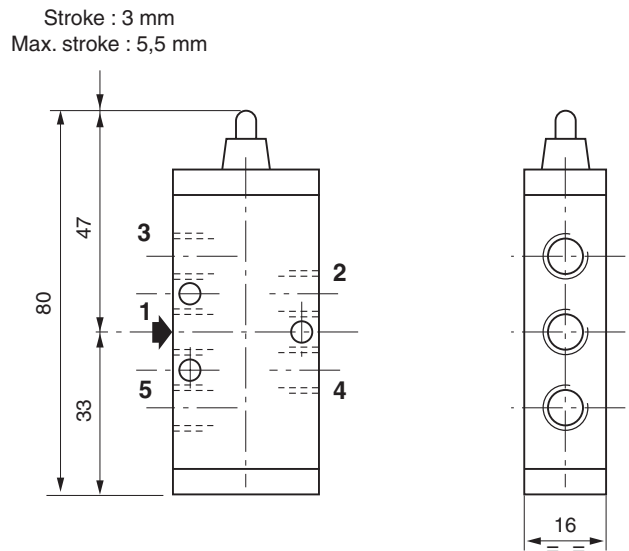
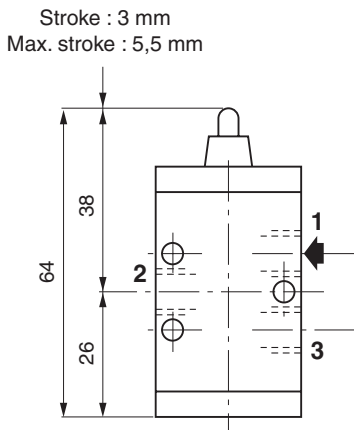
Weight : 86 g



TAPPET

Weight : 60 g

Weight : 76 g



SPECIFICATIONS

FLUID : Air or neutral gas, filtered, lubricated or not
 PORTS : G 1/4
 PRESSURE : 0 to 10 bar
 TEMPERATURE : -25°C to +60°C
 FLOW (Qv at 6 bar) : 860 l/min (ANR)

CONSTRUCTION

Environmentally-protected construction
 Spool valve
 Body: treated aluminium
 Internal parts: zinc diecasting, steel, stainless steel, acetal (POM)
 Seals: NBR (nitrile) and PUR (polyurethane)



1 = Pressure
 2,4 = Outlets
 3,5 = Exhausts

CHOICE OF EQUIPMENT

[Configurator - CAD Files](#)

Type	Pilot	Return	Operating effort (daN)	CODES
<p>3/2</p>	Roller	Spring	4,8	55102084
<p>5/2</p>	Roller	Spring	4,8	55102087

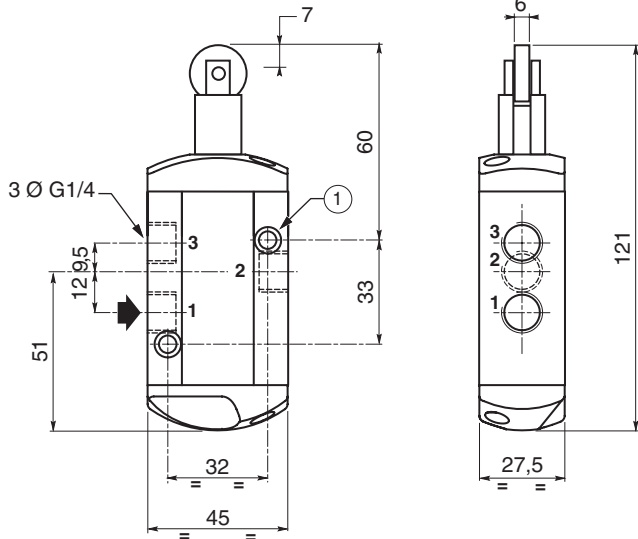
Note: do not connect the pressure supply to the exhaust port 3. For a "distributing" function or use in NO function, contact us.

DIMENSIONS AND WEIGHTS
ROLLER

[Configurator - CAD Files](#)

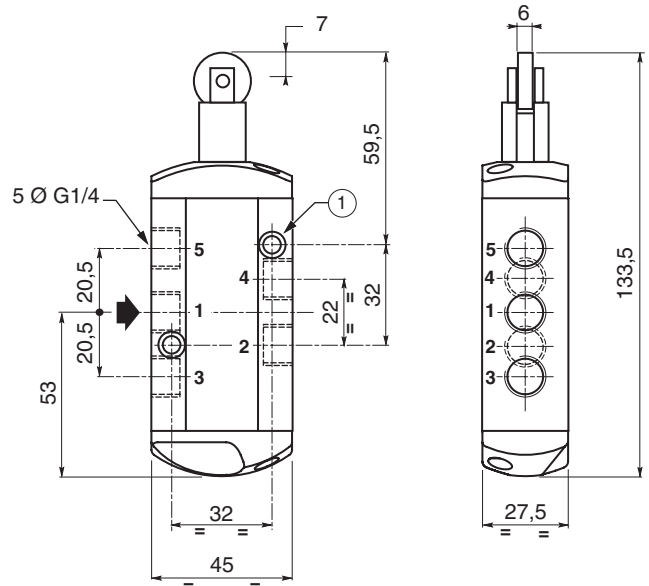
3/2

Weight: 0,250 kg



5/2

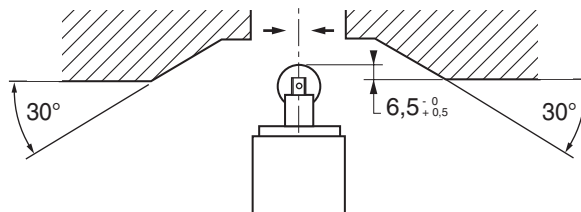
Weight: 0,285 kg



① 2 fixing holes: Ø 5,3 - counterbore : Ø 9, dept 5

Cam angles

Maximum speed: 0,3 m/s



SPECIFICATION

FLUID	: Air or neutral gas, filtered, lubricated
PRESSURE	: 2,5 to 10 bar
TEMPERATURE	: +10°C to +40°C
FLOW (Qv at 6 bar)	: 406 l/min (SRA)
Ø NOMINAL	: 4 mm
PORTS	: G 1/8
FUNCTION	: 3/2 NC - 3/2 NO
LIFE	: 10 million cycles
CONFORMING to CNOMO standard 06-05-25	



CONSTRUCTION

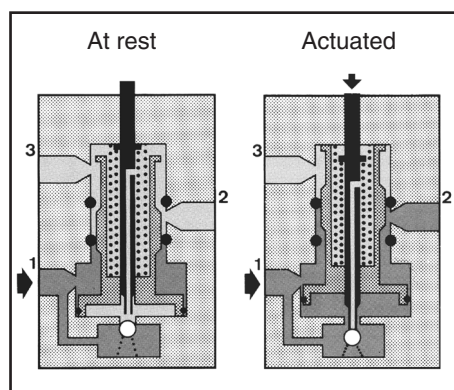
Pilot operated spool valve features:

- **snap-action** operation
- low actuating force

Body: light alloy

Internal parts: stainless steel and light alloy

Sealings: NBR (nitrile)



CHOICE OF EQUIPMENT

OPERATING HEADS			CODES		
			HEAD ALONE	COMPLETE PILOT VALVE	
				NC function 	NO function
Type	Designation	Mechanical actuation			
	Pilot valve without operating head		-	32000001	32000002
	Pilot valve with mounting screws		-	32000065	32000066
	Single lever	Right and left	88132001	32000039	32000052
		Right or left	88132002	32000040	32000053
	Adjustable lever	Right and left	88132019	32000041	32000054
		Right or left	88132020	32000042	32000055
	Flexible rod lever	Right and left	88132021	32000043	32000056
		Right or left	88132029	32000044	32000057
	Forked one-track roller	Maintained position	88132022	32000045	32000058
	Top roller plunger	Operating force 1,3 daN	88132023	32000046	32000059
	Horizontal side roller plunger	Operating force 2,6 daN	88132024	32000047	32000060

00412GB-2017/R01
Availability, design and specifications are subject to change without notice. All rights reserved.

All leaflets are available on: www.asco.com

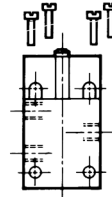
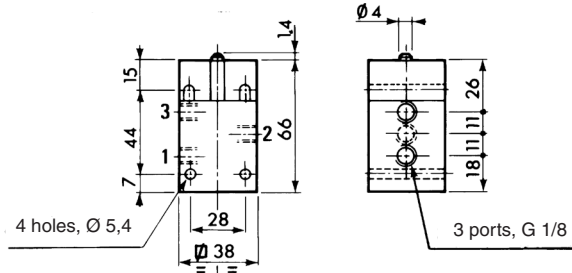
Manually & Mechanically operated valves (3/2) - 27

PILOT VALVE MECHANICALLY OPERATED SERIES 320

DIMENSIONS AND WEIGHTS

Pilot valve without operating head
Weight: 0,265 kg

Pilot valve with 4 CM4 screws, 33 long,
for on-site assembly of operating head

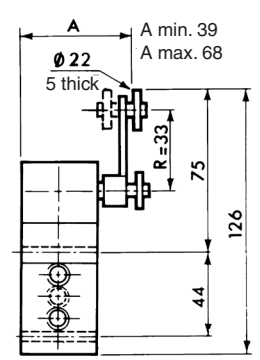
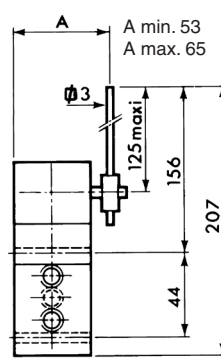
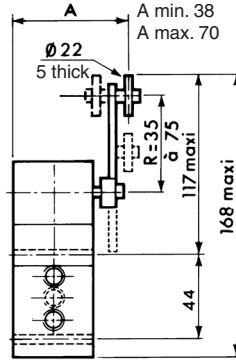
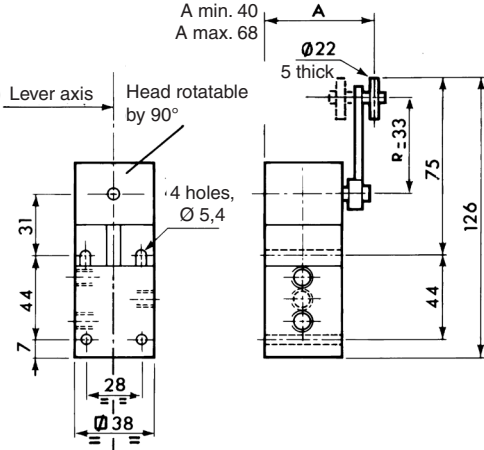


Single lever
Weight: 0,505 kg

Adjustable lever
Weight: 0,515 kg

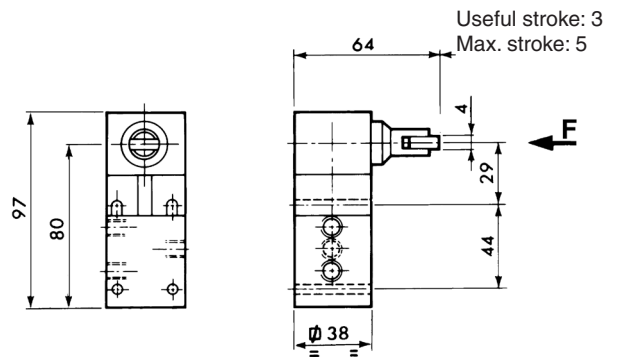
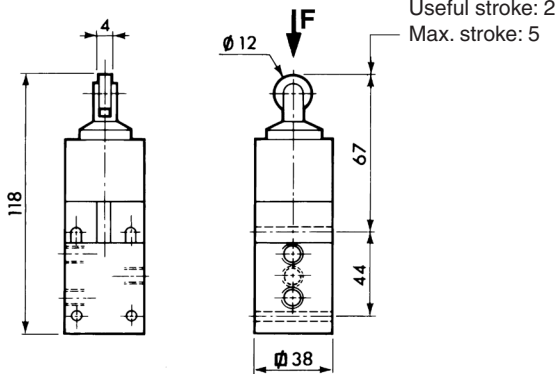
Flexible rod lever
Weight: 0,505 kg

Forked one-track roller
Weight: 0,530 kg



Top roller plunger
Weight: 0,465 kg

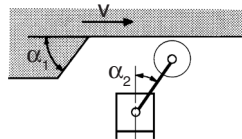
Horizontal side roller plunger
Weight: 0,510 kg



ASSEMBLY

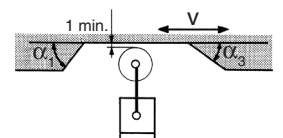
● **SINGLE, ADJUSTABLE OR FLEXIBLE LEVER HEADS**
RIGHT OR LEFT ACTUATION

Actuation speed (v)	Cam angle (α_1)	Lever position (α_2)*
$\leq 1,5$ m/s	30° max.	$0 < \alpha_2 < 35^\circ$
$1,5 < v < 5$ m/s	10° max.	$0 < \alpha_2 < 55^\circ$



RIGHT AND LEFT ACTUATION

Actuation speed (v)	α_1 and α_3
$\leq 1,5$ m/s	max. 30°
$1,5 < v < 5$ m/s	max. 10°



Max. travel: 75° from rest position.

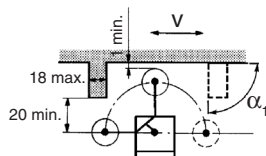
* A pre-travel** of 25° must be added to the positioning ranges 0° to 35° and 0° to 55°.

Max. travel: 75° on either side of the rest position.
Pre-travel**: 25° on either side of the rest position.

** The pre-travel is the minimum angular distance that the lever must be moved by the mobile element or the cam (from the rest position) to assure the valve's function.

● **FORKED ONE-TRACK ROLLER, MAINTAINED POSITION**

Actuation speed (v)	Cam angle (α_1)
$\leq 0,5$ m/s	$45^\circ < \alpha_1 < 90^\circ$



● **ROLLER HEADS**

These completely interchangeable heads can take 4 positions at 90° to the vertical axis of the device. The direction of actuation is indicated by the arrow F (actuation speed: 0,25 m/s).



**SCATTERGOOD
& JOHNSON LTD**
ELECTRICAL ENGINEERING & FLUID CONTROL DISTRIBUTORS

Est.1899

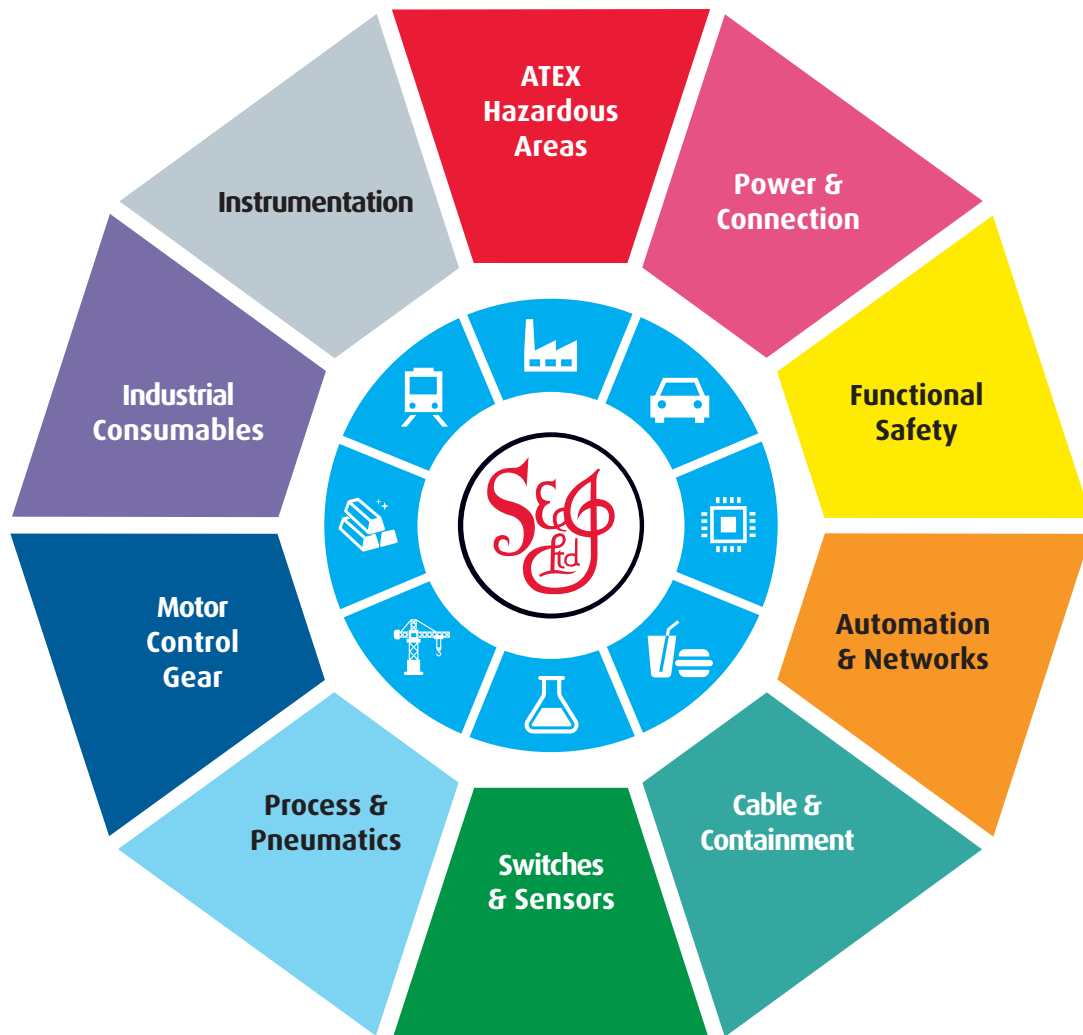
At Scattergood & Johnson Ltd, we pride ourselves on being a technical distributor to specialist industries.

Working with a range of quality product suppliers across a number of specialist markets, we are not your average 'box shifter' - we are your technical and supply chain partner.

We fully support every product we sell - for free! Our internal team and external sales engineers can answer any product or application question, no matter the complexity.

Backing up this technical ability is a range of 50,000+ products available from stock for nationwide next day delivery (same day if required!), or you can collect what you need from any of our trade counters around the UK.

Select your specialist interest below to learn more about how we can help.



Online, In Branch and On the Road - Scattergood & Johnson Ltd, there when you need us.

www.scatts.co.uk