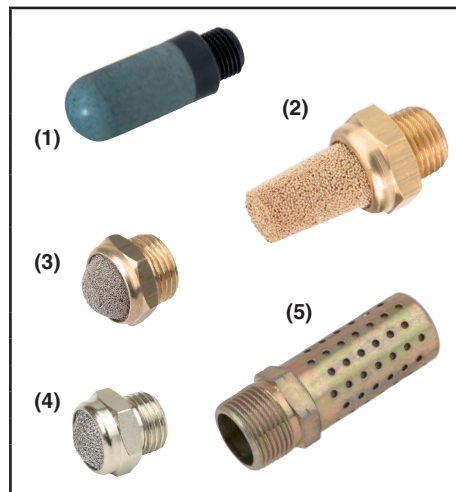


SILENCER (1, 2, 5), EXHAUST PROTECTOR (3, 4)

		catalogue number				
		(1)	(2)	(3)	(4)	(5)
operating pressure		0 to 10 bar		0 to 12 bar	0 to 10 bar	0 to 14 bar
ambient temperature		-10°C to +80°C				-20°C to +110°C
construction	body	porous plastic	porous bronze	bronze	stainless steel	zinc-plated steel, bichromate
	connection piece	plastic	brass	brass	Nickel plated brass	
	diffuser	-	-	-	-	
pipe size	Ø M5	34600405	34600207	34600491	34600484	-
	G 1/8	34600406	34600001	34600492	34600418	M1MB
	G 1/4	34600407	34600002	34600493	34600419	M2MB
	G 3/8	34600408	34600003	34600494	34600478	M3MB
	G 1/2	34600409	34600004	34600495	34600479	M4MB
	G 3/4	34600410	34600005	34600496	-	M5MB
	G 1	34600411	34600006	34600497	-	M6MB


SHUTTLE VALVE

Fluid Air or filtered neutral gas, lubricated or not

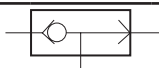
Operating pressure 1 to 10 bar

Ambient temperature -10°C to +60°C

CONSTRUCTION

Body Black anodised aluminium

Internal parts Steel + NBR (nitrile)



pipe size	Ø orifice (mm)	catalogue number
G 1/8	3,2	34600127
G 1/4	6	34600119


NON-RETURN VALVE

Fluid Air or filtered neutral gas, lubricated or not

Operating pressure

plastic body 1 to 10 bar

metal body 0,5 to 10 bar

Ambient temperature -10°C to +60°C

CONSTRUCTION


Body

instant fittings version Technical polymer

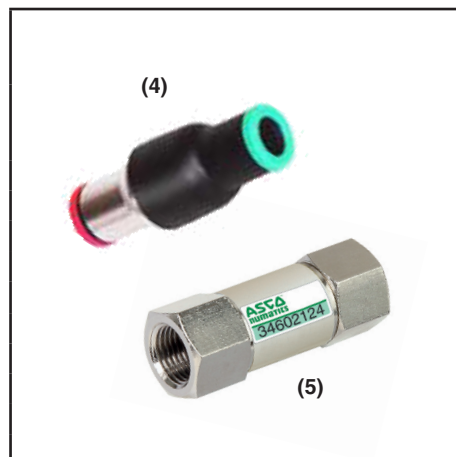
tapped version Brass nickeled

Internal parts Light alloy and brass

Seals NBR (nitrile)



pipe size	flow at 6 bar (l/min)	catalogue number
(4) plastic body (instant fittings)		
Ø 4 mm ext.	330	34602445
Ø 6 mm ext.	665	34602446
Ø 8 mm ext.	1630	34602447
(5) metal body (tapped)		
Ø M5	190	34602412
G 1/8	920	34602124
G 1/4	1650	34602125
G 3/8	2400	34602444
G 1/2	3500	34602126


QUICK EXHAUST VALVE

Fluid Air or filtered neutral gas, lubricated or not

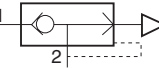
Operating pressure 0,5 to 10 bar

Ambient temperature -10°C to +60°C

CONSTRUCTION

Body Light alloy

Membran NBR (nitrile)



pipe size	Ø orifice (mm)	catalogue number
G 1/4	12	34600136
G 3/8	12	34600137
G 1/2	20	34600138
G 3/4	20	34600139


PNEUMATIC INDICATOR

Fluid Air or filtered neutral gas, lubricated or not

Operating pressure 2 to 8 bar

Ambient temperature +5°C to +70°C

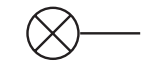
Angle of vision 180°

CONSTRUCTION

Lens PC (polycarbonate)

Body and collar POM (polyacetal)

Nut Brass

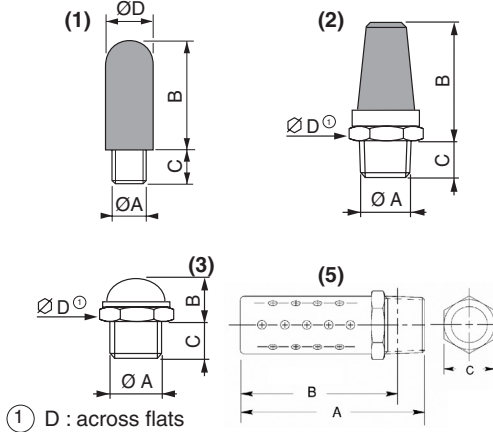


color	catalogue number
red	34600130
green	34600131
yellow	34600132



DIMENSIONS (mm), WEIGHT (kg)

SILENCER, EXHAUST PROTECTOR



(1)					
cat. number	ØA	B	C	ØD	weight
34600405	M5	16	5	7	0,0005
34600406	G1/8	27	6	13	0,002
34600407	G1/4	34	7	15	0,004
34600408	G3/8	55	11	18	0,006
34600409	G1/2	62	12	23	0,010
34600410	G3/4	113	16	38	0,040
34600411	G1	141	20	48	0,065

(2)					
cat. number	ØA	B	C	D	weight
34600207	M5	18	4	8	0,004
34600001	G1/8*	22,4	5,6	13	0,010
34600002	G1/4*	41,6	8,4	16	0,030
34600003	G3/8*	49,2	8,8	24	0,030
34600004	G1/2*	54,6	11,4	27	0,070
34600005	G3/4*	82,3	12,7	36	0,300
34600006	G1*	93,5	14,5	50	0,400

* taper

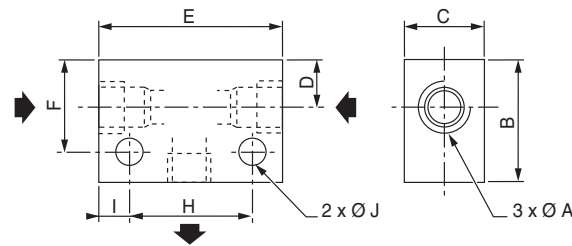
(3)					
cat. number	ØA	B	C	D	weight
34600491	M5	8	3,5	8	0,002
34600492	G1/8	11	6	13	0,007
34600493	G1/4	12	8	16	0,011
34600494	G3/8	14	8	19	0,016
34600495	G1/2	16	10	24	0,027
34600496	G3/4	16	10	30	0,044
34600497	G1	18	11,5	36	0,065

(5)					
code	Ø	A	B	C	weight
M1MB	G1/8	35	31	11	9
M2MB	G1/4	44	39	14	23
M3MB	G3/8	57	51	18	36
M4MB	G1/2	69	61	22	68
M5MB	G3/4	80	71	27	36
M6MB	G1	99	88	33	227

① D : across flats

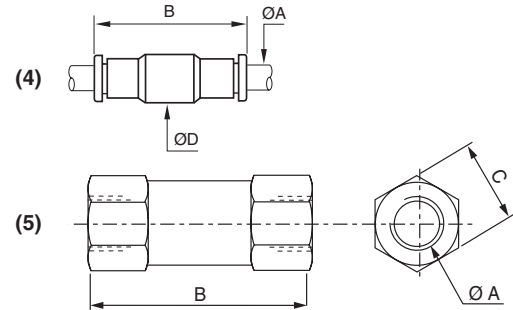
(4)						
code	ØA	B	C	D	weight	
34600484	M5	4,5	3,2	8	1	
34600418	G 1/8	10	6	13	6	
34600419	G 1/4	11	8	16	10	
34600478	G 3/8	11	9	19	14	
34600479	G 1/2	14	9	24	23	

SHUTTLE VALVE



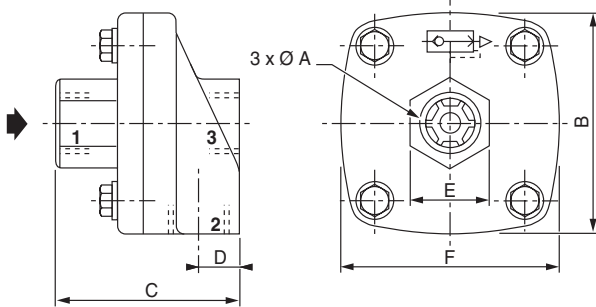
cat. number	ØA	B	C	D	E	F	H	I	J	weight
34600127	G1/8	26	16	8,5	51	20,5	32	9,5	4,5	0,150
34600119	G1/4	30	20	10,5	52	21,5	35	8,5	5,5	0,210

NON-RETURN VALVE



cat. number	ØA	B	C	ØD	weight
(4) plastic body (instant fittings)					
34602445	Ø 4 mm ext.	38	-	16	0,008
34602446	Ø 6 mm ext.	41	-	16	0,013
34602447	Ø 8 mm ext.	51,5	-	19	0,018
(5) metal body (tapped)					
34602412	Ø M5	25	8	-	0,008
34602124	G 1/8	36,5	13	-	0,025
34602125	G 1/4	41	-16	-	0,041
34602444	G 3/8	51	20	-	0,074
34602126	G 1/2	62	24	-	0,120

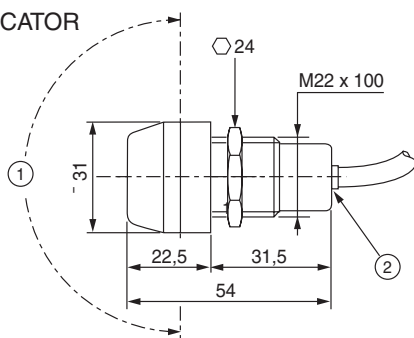
QUICK-EXHAUST VALVE



cat. number	ØA	B	C	D	E	F	weight
34600136	G1/4	64	52	13	25	64	0,185
34600137	G3/8	64	52	13	25	64	0,185
34600138	G1/2	85	72	19	38	97	0,420
34600139	G3/4	85	72	19	38	97	0,390

PNEUMATIC INDICATOR

weight : 0,035 kg



- ① Angle of vision 180°
- ② Instant fittings for flexible tube Ø 4 O.D



SCATTERGOOD & JOHNSON LTD

ELECTRICAL ENGINEERING & FLUID CONTROL DISTRIBUTORS

Est.1899

At Scattergood & Johnson Ltd, we pride ourselves on being a technical distributor to specialist industries.

Working with a range of quality product suppliers across a number of specialist markets, we are not your average 'box shifter' - we are your technical and supply chain partner.

We fully support every product we sell - for free! Our internal team and external sales engineers can answer any product or application question, no matter the complexity.

Backing up this technical ability is a range of 50,000+ products available from stock for nationwide next day delivery (same day if required!), or you can collect what you need from any of our trade counters around the UK.

Select your specialist interest below to learn more about how we can help.



Online, In Branch and On the Road - Scattergood & Johnson Ltd, there when you need us.

www.scatts.co.uk