









COILS AND ACCESSORIES

Product Index



Products	pipe connections												Type	Illustration	Series	Page			
	□ - instant fittings O.D. (mm) ■ - internal thread ØG																		
	□			ØG															
	4	6	8	10	12	M5	1/8	1/4	3/8	1/2	3/4	1	1 1/2	2					
Pneumatic accessories ⁽¹⁾																			
Panel-mounted in-line flow regulator						■	■	■	■	■	■								
Banjo flow regulator	□	□	□			■	■	■	■									346	1
						■	■	■											
Flow regulator silencer						■	■												
Exhaust regulator with integrated silencer						■	■	■	■										
Silencer						■	■	■	■	■	■	■	■	■				346 M 888	3
Exhaust protector High Flow Exhaust Protector						■	■	■	■	■	■	■	■	■					
Shuttle valve						■	■												
Non-return valve	□	□				■	■	■	■									346	5
						■	■	■	■										
Quick exhaust valve							■	■	■										

⁽¹⁾ For equivalence between accessory and cylinder sizes, see page III

00219GB-2019/R01
Availability, design and specifications are subject to change without notice. All rights reserved.

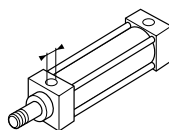
product	pipe connections														type	illustration	series	page	
	3	4	6..12	M3	M5	1/8	1/4	3/8	1/2	3/4	1	1 1/4	1 1/2..2	pad mount					
Pneumatic accessories ⁽¹⁾																			
t																red green yellow		346	3
High flow air silencer																		SEHB	7
Exhaust silencer filter																		346	9
Exhaust coalescing filter and silencer																		H30 H40	10
Orientable cylinder blocking fittings																		346	11
Pilot operated check valve																		NCP PG NCP GG	12
Quick exhaust valve																		SEV	13
Electronic multimer with adjustable pulses																		881	15
Pneumatic timer																		333 346	(2)
Adjustable pressure switch with or without status indication and protection																		349	17
Pressure switch (setting range up to 50 bar)																		349	18
Electronic pressure switch																		349	19
Pneumatic-electric interface																		304	21
Micro pressure regulator																Micro 10		342	23
Pressure gauge (Ø 40 mm)																		343	23
Micro flowrate reducing valve																Micro 10		346	23
Push-in, threaded or hose connectors																		346	24

⁽¹⁾ For equivalence between accessory and cylinder sizes, see page III

⁽²⁾ See "Pneumatic Automation" section.

PNEUMATIC CYLINDER PORT DIAMETERS

The following table will enable you to select the correct size of the pneumatic accessories for direct fitting to the cylinder ports (banjo flow regulator, orientable cylinder blocking fitting).



type	series	cylinder bore (mm)																		
		6	8	10	12	16	18	20	22	25	32	40	50	63	80	100	125	160	200	250
E	429	*	-	*	-	*	-	-	-	-	-	-	-	-	-	-	-	-	-	-
-	441	-	M5	M5	M5	M5	-	M5	-	M5	1/8	1/8	1/8	1/8	1/8	1/8	-	-	-	-
-	435	-	M5	M5	M5	M5	-	1/8	-	1/8	-	-	-	-	-	-	-	-	-	-
-	438	-	-	-	-	-	-	-	-	1/8	1/4	1/4	3/8	-	-	-	-	-	-	-
-	449	-	-	-	-	-	-	M5	-	M5	1/8	1/8	1/8	1/8	1/8	1/8	-	-	-	-
-	453	-	-	-	-	-	-	-	-	1/8	1/4	1/4	3/8	3/8	1/2	-	-	-	-	-
-	454	-	-	-	-	-	-	-	-	1/8	1/4	1/4	3/8	3/8	1/2	-	-	-	-	-
-	450	-	-	-	-	-	-	-	-	1/8	1/4	1/4	3/8	3/8	1/2	1/2	3/4	3/4	-	-
PIS	436	-	-	-	-	-	-	-	-	-	-	-	-	-	-	-	-	-	-	1
PCN	437	-	-	-	-	-	-	-	-	1/8	1/8	1/4	1/4	3/8	3/8	1/2	1/2	3/4	3/4	-
-	431	-	-	-	-	-	-	-	-	1/8	1/4	1/4	3/8	3/8	-	-	-	-	-	-
-	S	-	-	-	-	-	-	-	-	1/8	1/4	1/4	3/8	3/8	1/2	1/2	-	-	-	-
STN	445	M5	-	M5	-	M5	-	1/8	-	1/8	1/8	1/4	-	-	-	-	-	-	-	-
STG	445	M5	-	M5	-	M5	-	1/8	-	1/8	1/8	1/4	-	-	-	-	-	-	-	-
STB	446	-	-	-	-	-	-	-	-	1/8	1/4	1/4	3/8	3/8	-	-	-	-	-	-
STBN	446	-	-	-	-	M5	-	-	-	1/8	1/4	1/4	3/8	1/2	-	-	-	-	-	-
STB	448	-	-	-	-	M5	-	-	-	1/8	1/4	1/4	3/8	1/2	-	-	-	-	-	-
STB (with passive brake)	448	-	-	-	-	-	-	-	-	1/8	1/4	1/4	3/8	1/2	-	-	-	-	-	-
STBB	448	-	-	-	-	-	-	-	-	1/8	1/4	1/4	3/8	1/2	-	-	-	-	-	-
STBB (with passive brake)	448	-	-	-	-	-	-	-	-	1/8	1/4	1/4	3/8	1/2	-	-	-	-	-	-
-	CGT	-	-	-	-	M5	-	1/8	-	1/8	1/8	1/4	1/4	-	-	-	-	-	-	-
P2L - P2B	447	-	-	-	-	M5	-	M5	-	M5	1/8	-	-	-	-	-	-	-	-	-
R	429	-	-	-	M5	-	-	M5	-	-	-	-	-	-	-	-	-	-	-	-
RS	429	-	-	-	-	M5	M5	-	M5	-	-	-	-	-	-	-	-	-	-	-

* hose connections

description	illustration	series	page
Coils and solenoid operators			
Replacement coils		400 430	IV
Connectors			
Electrical connectors EN 175301-803, industry standard form B (11 mm, size 22) ISO 4400 / EN 175301-803, form A (18 mm, size 30)		881	27
EN 175301-803, industry standard form C (9,4 mm, size 15) EN 175301-803, form C (8 mm, size 15)		881	29
Visual indication (LED) and electrical protection module (size 15)		881	31
ISO 4400 / EN 175301-803, form A (size 30) with protection by TRANSIL and LED display		881	33

00219GB-2017/R01
Availability, design and specifications are subject to change without notice. All rights reserved.

COIL CHARACTERISTICS

All coils are designed to operate at 15% or 10% below the nominal voltage (Un) and at 10% above the nominal voltage (Un). [Applicable standards: IEC 335, EN 60730- 1, UL 429]







The coils are rated for continuous duty within the maximum ambient temperature limits (100% ED).

CATALOGUE NUMBERS OF REPLACEMENT COILS

solenoid valve series	coil type	alternating current , AC (~) 50 Hz					direct current , DC (=)			
		24V	48V	115V	230V	240V	12V	24V	48V	110V
189	C22A - 2,5 W	43004416 (♣)	43004417 (♣)	43004419 (♣)	43004422 (♣)	43004423 (♣)	43004149	43004166	43004167	43004168
	C22 - 2,5 W (M12)	-	-	-	-	-	-	43005523	-	-
189	CM22 - 2,5 W	43004878 (♣)	43004879 (♣)	43004884 (♣)	43004886 (♣)	43004887 (♣)	43004867	43004869	43004873	43004875
189 banjo 551	CM22 ⁽¹⁾ - 2,5/3W	400127-081 (♣)	400127-085 (♣)	400127-098 (115V/60-120V/60)	400127-097 (♣)	400127-091 (♣)	400904-541	400904-542	400904-544	400904-548
356 (1/8)	CM22-4W/6,9W F	400127-181 (♣)	400127-185 (♣)	400127-181 (115V/60-120V/60)	400127-197 (♣)	-	400127-141	400127-142	400127-144	400127-148
356 (1/4)	CM25-5W/6,9W F	400727-181 (♣)	400727-185 (♣)	400727-118 (115V/50)	400727-117 (130V/50)	-	400727-181	400727-185	400727-118	400727-117
190	C25A - 3W	43004469	43004473	43004471	43004472	-	43004469	43004473	43004471	43004472
	C25 - 3 W (M12)	-	-	-	-	-	-	43005525	-	-
192	C30A	43005604 (♣)	43005611	43005617 (115V/60-120V/60)	43005627	-	-	43005642	-	-
	C30 (M12)	-	-	-	-	-	-	43005664	-	-

⁽¹⁾ For high reliability in humid exterior environments

(♣) Bifrequency 50/60 Hz.

CM22-4/6,9W COIL with connector Example: series 551, 356	C22 COIL with M12 connection Example: series 189	CM25-5/6,9W COIL with connector Example: series 238, 356 1/4	C25 COIL with M12 connection Example: series 190	C30A COIL with connector Example: series 192	C30 COIL with M12 connector Example: series 192
					

PANEL MOUNTED "IN LINE" FLOW REGULATORS

FLUID :

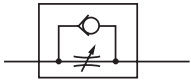
Air or neutral gas, filtered, lubricated or not

OPERATING PRESSURE : 1 to 10 bar

TEMPERATURE : -10°C to +60°C

CONSTRUCTION :

Body in aluminium
Seals in NBR (nitrile)

	
Connection Ø	CODES
Ø M5	34602010
G 1/8	34602152
G 1/4	34602153
G 3/8	34602154
G 1/2	34602155
G 3/4	34600156



BANJO FLOW REGULATOR, ADAPTABLE ON CYLINDER

FLUID :

Air or neutral gas, filtered, lubricated or not

OPERATING PRESSURE : 1 to 10 bar


TEMPERATURE : 0°C to + 70°C

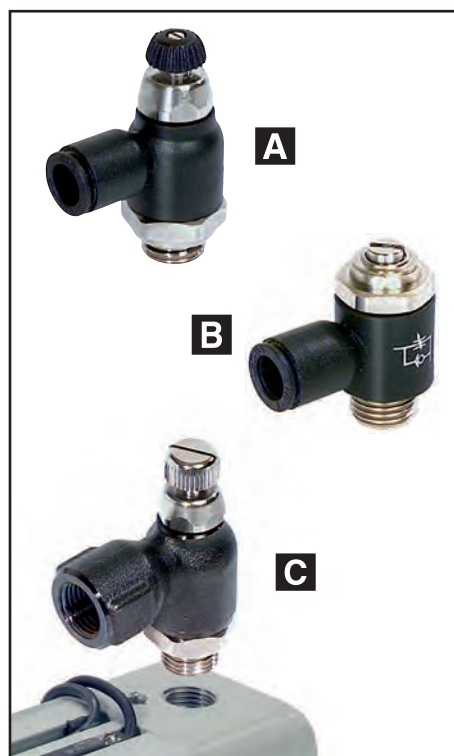
Banjo connection for **direct** fitting to cylinder port for simple, compact installation.

Version (B) with a recessed adjustment screw is an even more compact design. It offers the additional advantage of preventing inadvertent loss of flow adjustment. Can be locked with a spot of varnish.

CONSTRUCTION :

Body in polymer (A - B)
or brass treated (version C)
Screw, lock-nut, subbase in brass
Seals in NBR (nitrile)

		
Installation Ø	Ø connection by instant fittings	CODES
A Plastic body, adjustable by button/screw		
Ø M5	Ø 4 mm ext.	34602188
G 1/8	Ø 4 mm ext.	34602221
G 1/8	Ø 6 mm ext.	34602222
G 1/4	Ø 6 mm ext.	34602223
G 1/4	Ø 8 mm ext.	34602224
G 3/8	Ø 10 mm ext.	34602021
G 1/2	Ø 12 mm ext.	34602022
B Plastic body, adjustable by screw recessed		
Ø M5	Ø 4 mm ext.	34602016
G 1/8	Ø 4 mm ext.	34602017
G 1/8	Ø 6 mm ext.	34602018
G 1/4	Ø 6 mm ext.	34602019
G 1/4	Ø 8 mm ext.	34602020
Installation Ø	Ø connection tapped	CODES
C Metal body, tapped output, adjustable by button/screw		
G 1/8	G 1/8	34602181
G 1/4	G 1/4	34602182
G 3/8	G 3/8	34602183



SPEED CONTROL SILENCER

FLUID :


Air or neutral gas, filtered, lubricated or not

OPERATING PRESSURE : 0,5 - 10 bar

TEMPERATURE : -20°C to +70°C

CONSTRUCTION :

Body Brass
Spring Stainless steel
Seals NBR (nitrile)

	
Connection Ø	CODES
G 1/8	SE10RM
G 1/4	SE25RM



EXHAUST REGULATOR + SILENCER

FLUID :

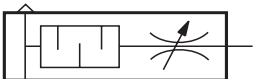
Air or neutral gas, filtered, lubricated or not

OPERATING PRESSURE : 0 to 10 bar

TEMPERATURE : -10°C to +80°C

CONSTRUCTION :

Body in polymer
Silencer part in porous plastic

	
Connection Ø	CODES
G 1/8	34600413
G 1/4	34600414
G 3/8	34600415
G 1/2	34600416

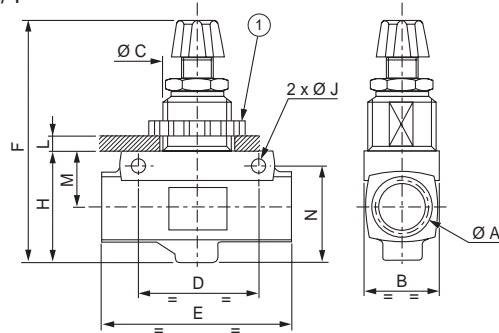
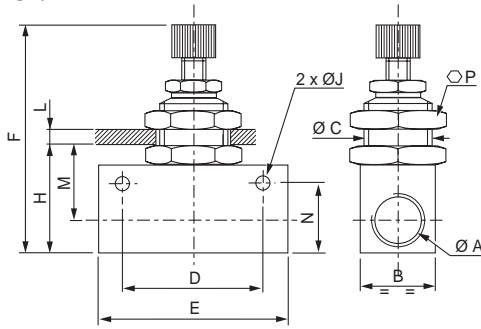


DIMENSIONS AND WEIGHTS

PANEL-MOUNTED "IN-LINE" FLOW REGULATORS

■ M5 to G1/2

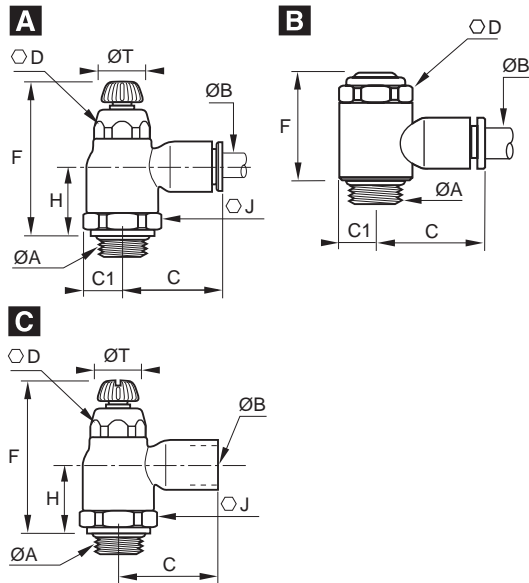
■ G3/4



CODES	Ø A	B	Ø C	D	E	F min.	F max.	H	Ø J	L max.	M	N	Ø P	Weight (kg)
34602010	M5	12	M9 x 0,75	18	25	32	37	17	3,2	3	10	12	11	0,019
34602152	G 1/8	16	M12 x 0,75	24	34	49	56	24	4,5	6	16	16	15	0,060
34602153	G 1/4	25	M18 x 1,5	35	50	67	75	35	6,5	7,5	23	25	22	0,140
34602154	G 3/8	25	M18 x 1,5	40	58	67	75	35	6,5	7,5	23	25	22	0,245
34602155	G 1/2	30	M22 x 1,5	50	65	80	92	46	6,5	10	29	33	26	0,360
34600156	G 3/4	39	M37 x 2	70	110	119	132	58	6,5	15,5	28	51	-	0,550

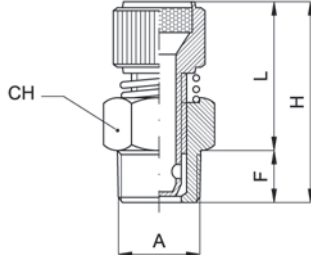
① Knurled nut

BANJO FLOW REGULATOR, ADAPTABLE ON CYLINDER



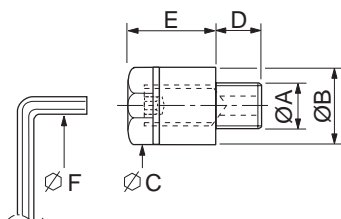
CODES	Ø A	Ø B	C	C1	D	F min.	F max.	H	J	Ø T	Weight
A Plastic body, instant fittings output, adjustable by button/screw											
34602188	M 5	4	17	4,5	6	23,5	26	-	-	-	0,008
34602221	G 1/8	4	22	9	10	38	44	16	16	10	0,021
34602222	G 1/8	6	22	9	10	38	44	16	16	10	0,021
34602223	G 1/4	6	22	9	10	36,5	42,5	15	16	10	0,021
34602224	G 1/4	8	28	10,5	14	41,5	48	18,5	19	12	0,037
34602021	G 3/8	10	32	12,5	17	45,5	54	20	23	17	0,059
34602022	G 1/2	12	35	13	17	45,5	54	20	24	17	0,065
B Plastic body, instant fittings output, adjustable by screw recessed											
34602016	M 5	4	19	5	8	17,5	19	-	-	-	0,007
34602017	G 1/8	4	19	7	13	25	26	-	-	-	0,017
34602018	G 1/8	6	21	7	13	25	26	-	-	-	0,019
34602019	G 1/4	6	22	9,5	17	26,5	28	-	-	-	0,034
34602020	G 1/4	8	27	9,5	17	26,5	28	-	-	-	0,035
C Metal body, tapped output, adjustable by button/screw											
34602181	G 1/8	G1/8	22,5	-	10	47	52,5	23	19	-	0,076
34602182	G 1/4	G1/4	32	-	14	50,5	55,5	25	19	-	0,107
34602183	G 3/8	G3/8	34,5	-	17	56	62	27	25	-	0,212

SPEED CONTROL SILENCER



CODES	F	L		H		CH	A
		min.	max.	min.	max.		
SE10RM	6	20	22	26	28	13	G1/8
SE25RM	8	22	24	30	32	15	G1/4

EXHAUST REGULATOR + SILENCER



CODES	Ø A	Ø B	Ø C	D	E	Ø F	Weight (kg)
34600413	G1/8	15	13	6	14,5	2,5	0,005
34600414	G1/4	18	15	7	22	4	0,010
34600415	G3/8	24	20	8	30	6	0,030
34600416	G1/2	30	25	10	40	8	0,050

All leaflets are available on: www.asco.com

ASCO™ Numatics Pneumatic Accessories

Silencer - Exhaust Protector - High Flow Exhaust Protector Shuttle Valve

Series
346 - M - 888

Silencer (1) (2) (5), Exhaust Protector (3) (4)

		(1)	(2)	(3)
Operating pressure		0 to 10 bar		0 to 12 bar
Ambient temperature range		-10°C to +80°C		
Construction	body	porous plastic	porous bronze	bronze
	connection piece	plastic	brass	brass
Catalog number				
Pipe size	Ø M5	34600405	34600207	34600491
	G 1/8	34600406	34600001	34600492
	G 1/4	34600407	34600002	34600493
	G 3/8	34600408	34600003	34600494
	G 1/2	34600409	34600004	34600495
	G 3/4	34600410	34600005	34600496
	G 1	34600411	34600006	34600497

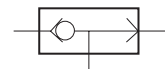
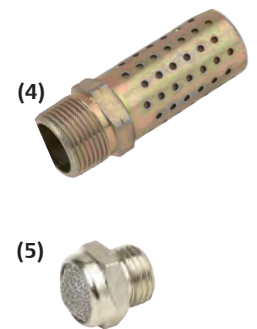
		(4)		(5)	
Operating pressure		0 to 14 bar		0 to 10 bar	
Ambient temperature range		-20°C to +110°C		-10°C to +80°C	
Construction	body	zinc-plated steel, bichromate		stainless steel	
	connection piece	brass		nickel plated brass	
	diffuser	-		-	
		G (ISO 228/1)	M	G (ISO 228/1)	NPT
Catalog number					
Pipe size	Ø M5	-	34600484	-	-
	1/8"	M1MB	-	34600418	34600482
	1/4"	M2MB	-	34600419	34600483
	3/8"	M3MB	-	34600478	-
	1/2"	M4MB	-	34600479	34600481
	3/4"	M5MB	-	-	-
	1"	M6MB	-	-	-

High Flow Exhaust Protector (6)

		(6)		
Operating pressure		0 to 10 bar		
Ambient temperature range		-60°C to +90°C		
Construction	body	stainless steel		
	connection piece	stainless steel		
	diffuser	stainless steel		
		G (ISO 228/1)	E (ISO 7/1)	NPT
Catalog number				
Pipe size	1/4"	G888A11210A0000	E888A11210A0000	8888A11210A0000
	3/8"	G888A11310A0000	E888A11310A0000	8888A11310A0000
	1/2"	G888A11410A0000	E888A11410A0000	8888A11410A0000
	3/4"	G888A11510A0000	E888A11510A0000	8888A11510A0000
	1"	G888A11610A0000	E888A11610A0000	8888A11610A0000
	1 1/2"	G888A11710A0000	E888A11710A0000	8888A11710A0000
	2"	G888A11810A0000	E888A11810A0000	8888A11810A0000

Shuttle Valve

Fluids	Air or filtered neutral gas, lubricated or not		
Operating pressure	1 to 10 bar		
Ambient temperature range	-10°C to +60°C		
Construction		pipe size	Ø orifice (mm)
Body	Black anodised aluminium	G 1/8	3.2
Internal parts	Steel + NBR (nitrile)	G 1/4	6
			Catalog number
			34600127
			34600119



00221CB-2019/R02
Availability, design and specifications are subject to change without notice. All rights reserved.

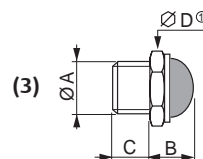
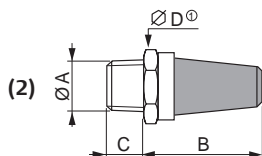
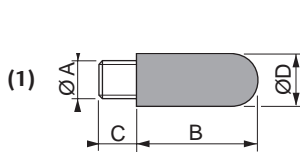
Series

346 - M - 888

ASCO™ Numatics Pneumatic Accessories

Dimensions (mm), Weight (kg)

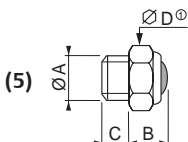
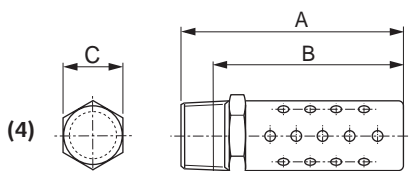
Silencer (1) (2) (5) - Exhaust Protector (3) (4) - High Flow Exhaust Protector (6)



Catalog number	ØA	B	C	ØD	weight
34600405	M5	17.5	4	6.5	0.0005
34600406	G1/8	28.5	5.5	12.5	0.002
34600407	G1/4	34.5	8	15.5	0.004
34600408	G3/8	56	11.5	18.5	0.006
34600409	G1/2	66.5	11	23.3	0.010
34600410	G3/4	115.5	16	38.5	0.040
34600411	G1	140	21	49	0.065

Catalog number	ØA	B	C	ØD	weight
34600207	M5	18	4	8	0.004
34600001	G1/8*	22.4	5.6	13	0.010
34600002	G1/4*	41.6	8.4	16	0.030
34600003	G3/8*	49.2	8.8	24	0.030
34600004	G1/2*	54.6	11.4	27	0.070
34600005	G3/4*	82.3	12.7	36	0.300
34600006	G1*	93.5	14.5	50	0.400

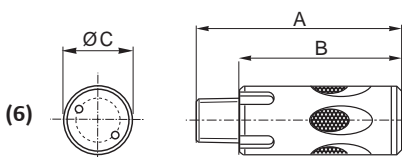
Catalog number	ØA	B	C	ØD	weight
34600491	M5	8	3.5	8	0.002
34600492	G1/8	11	6	13	0.007
34600493	G1/4	12	8	16	0.011
34600494	G3/8	14	8	19	0.016
34600495	G1/2	16	10	24	0.027
34600496	G3/4	16	10	30	0.044
34600497	G1	18	11.5	36	0.065



Catalog number	Ø	A	B	C	weight
M1MB	G1/8	35	31	11	0.009
M2MB	G1/4	44	39	14	0.023
M3MB	G3/8	57	51	18	0.036
M4MB	G1/2	69	61	22	0.068
M5MB	G3/4	80	71	27	0.036
M6MB	G1	99	88	33	0.227

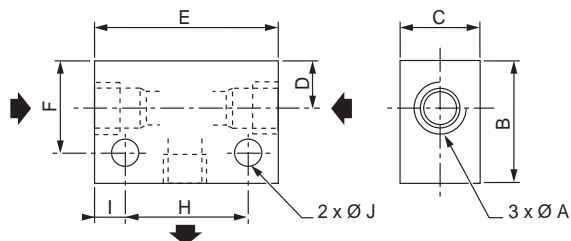
Catalog number	ØA	B	C	ØD	weight
34600484	M5	4.5	3.2	8	0.001
34600418	G1/8	10	6	13	0.006
34600419	G1/4	11	8	16	0.010
34600478	G3/8	11	9	19	0.014
34600479	G1/2	14	9	24	0.023

① D: Across flats



Catalog number	Ø	A	B	ØC	weight
x888A11210A0000	1/4"	51.5	15	18	0.067
x888A11310A0000	3/8"	60.5	15	25	0.140
x888A11410A0000	1/2"	75	19	30	0.240
x888A11510A0000	3/4"	95	19	45	0.693
x888A11610A0000	1"	118	23	55	1.21
x888A11710A0000	1 1/2"	151	25	80	3.28
x888A11810A0000	2"	195	25	110	8.03

Shuttle Valve



Catalog number	ØA	B	C	D	E	F	H	I	J	weight
34600127	G1/8	26	16	8.5	51	20.5	32	9.5	4.5	0.150
34600119	G1/4	30	20	10.5	52	21.5	35	8.5	5.5	0.210

ASCO™ Numatics Pneumatic Accessories

Series
346

Non-Return Valve - Quick Exhaust Valve - Pneumatic Indicator

Non-Return Valve



Fluids Air or filtered neutral gas, lubricated or not

Operating pressure plastic body 1 to 10 bar
metal body 0.5 to 10 bar

Ambient temperature range -10°C to +60°C

pipe size	flow at 6 bar (l/min)	Catalog number
(1) Plastic body (instant fittings)		
Ø 4 mm (OD)	330	34602445
Ø 6 mm (OD)	665	34602446
Ø 8 mm (OD)	1630	34602447
(2) Metal body (tapped)		
Ø M5	190	34602412
G 1/8	920	34602124
G 1/4	1650	34602125
G 3/8	2400	34602444
G 1/2	3500	34602126

Construction

Body instant fittings version

Technical polymer tapped version

Internal parts Brass nickelled

Seals Light alloy and brass
NBR (nitrile)

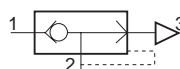


Quick Exhaust Valve

Fluid Air or filtered neutral gas, lubricated or not

Operating pressure 0.5 to 10 bar

Ambient temperature range -10°C to +60°C



pipe size	Ø orifice (mm)	Catalog number
G 1/4	12	34600136
G 3/8	12	34600137
G 1/2	20	34600138
G 3/4	20	34600139

Construction

Body Light alloy

Diaphragm NBR (nitrile)



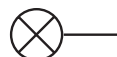
Pneumatic Indicator

Fluid Air or filtered neutral gas, lubricated or not

Operating pressure 2 to 8 bar

Ambient temperature range +50°C to +70°C

Angle of vision 180°



color	Catalog number
red	34600130
green	34600131
yellow	34600132

Construction

Lens PC (polycarbonate)

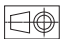
Body and collar POM (polyacetal)

Nut Brass



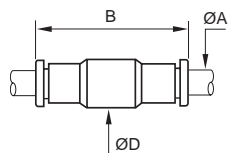
Series
346

ASCO™ Numatics Pneumatic Accessories

Dimensions (mm), Weight (kg) 

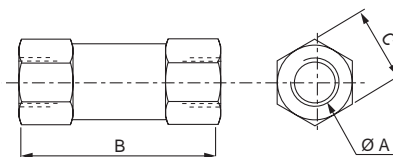
Non-Return Valve

(1) Plastic body (instant fittings)



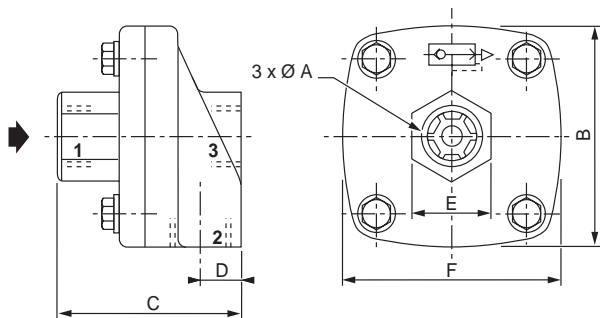
Catalog number	ØA (OD)	B	C	ØD	weight
34602445	4 mm	38	-	16	0.008
34602446	6 mm.	41	-	16	0.013
34602447	8 mm	51.5	-	19	0.018

(2) Metal body (tapped)



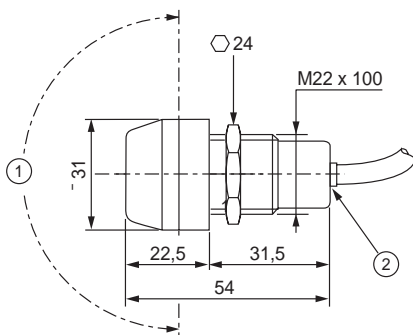
Catalog number	ØA	B	C	weight
34602412	Ø M5	25	8	0.008
34602124	G 1/8	36.5	13	0.025
34602125	G 1/4	41	-16	0.041
34602444	G 3/8	51	20	0.074
34602126	G 1/2	62	24	0.120

Quick Exhaust Valve



Catalog number	ØA	B	C	D	E	F	weight
34600136	G1/4	64	52	13	25	64	0.185
34600137	G3/8	64	52	13	25	64	0.185
34600138	G1/2	85	72	19	38	97	0.420
34600139	G3/4	85	72	19	38	97	0.390

Pneumatic Indicator



Catalog number	weight
34600130	0.035
34600131	
34600132	

- ① Angle of vision 180°
- ② Instant fittings for flexible tube Ø 4 mm OD

HIGH FLOW AIR MUFFLERS

G 1/2 to G 2

Series
SEHB



PRESENTATION

- Provides up to 85% perceived noise reduction and 94% Flow Factor

UTILISATION

The High Flow Air Muffler satisfies the need to muffle explosive air exhaust noise discharged with optimized CV flow factor, thus substantially improving equipment performance.

Constructed with a unique expansion chamber, completely free of obstruction, exhaust air flows softly to atmosphere free of noise, oil fog, and contaminates.

Units are constructed entirely with corrosion resistant material for long life and maintenance-free performance.

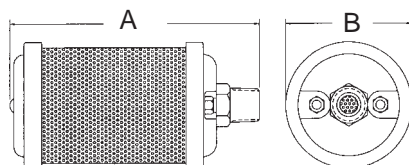
SPECIFICATIONS

FLUID	Compressed air or neutral gas
PORTS	G 1/2 to G 2
MAX. PRESSURE	10 bar
TEMPERATURE	-40°C (with dry air only - otherwise danger of icing) to max. +145 °C
MAX. FLOW	7240 to 90600 l/min (ANR)
NOISE REDUCTION	> 85%



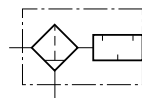
SEHB High Flow Air Muffler max 10 bar

Thread G	Chambers	A mm	B mm	Weight kg	Flow at 6,2 bar l/min (ANR)	code
1/2	1	152	80	0,34	7240	SE50HB
3/4"	1	183	86	0,45	15400	SE75HB
1"	1	222	98	0,59	22600	SE100HB
1 1/4"	1	222	98	0,61	38500	SE125HB
1 1/2"	1	344	133	1,45	58900	SE150HB
2"	1	479	133	1,86	90600	SE200HB



EXHAUST SILENCER FILTER

G 1/2 to G 1 1/4



USE

Designed to reduce undesirable effects caused by discharges from compressed air installations:

- Reduces noise level of compressed air release
- Reduces pollution by eliminating solid particles and oil aerosols

SPECIFICATION

FLUID	: Compressed air
CONNECTION	: G 1/2 to G 1 1/4
MAX. PRESSURE	: 16 bar
OPERATING TEMPERATURE	: -5 °C to +50 °C
MAX. DIFFERENTIAL PRESSURE	: 0,5 bar
FILTRATION	: 99,99 % of particles > 0,3 µm
MAX. FLOWRATE	: 1300 to 3300 l/min (ANR) ⁽¹⁾
NOISE REDUCTION	: > 40 dB (A) ⁽²⁾
PRESSURE DROP	: See characteristic curve



RECOMMENDATION

- Assemble in vertical position (slope: 15° max.).
- Load loss due to clogging of cartridge must not exceed 0,5 bar, in which case replace cartridge.
- Insert cartridge manually to avoid any damage to it during replacement.

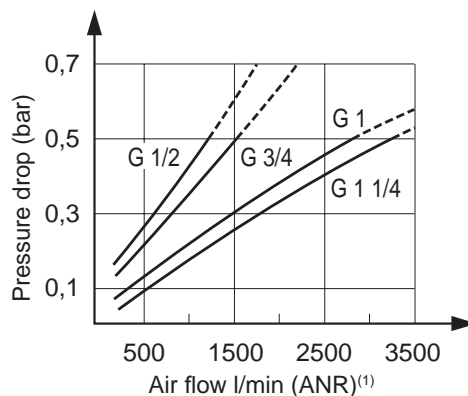
CONSTRUCTION

Condensates are automatically drained once they exceed a given level. The drain may however be activated manually by turning the knurled switch (1/4 turn).

- Aluminium housing and polypropylene (PP) bowl.
- Filter element: fibrous texture bonded by a plastic resin.
- Sealed by a rubber gasket.

CHOICE OF EQUIPMENT

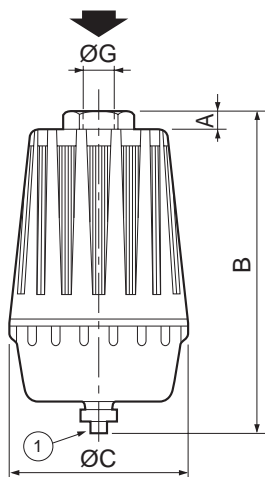
pipe size	max. flowrate l/min (ANR) ⁽¹⁾	catalogue number
G 1/2	1300	34600213
G 3/4	1600	34600214
G 1	2900	34600215
G 1 1/4	3300	34600216



(1) Flow at Normal Atmospheric reference Pressure to ISO R554-558 standards

(2) Tested with an input pressure of 5 bar, an air flow of 2000 l/min (ANR)⁽¹⁾ with a distance of 1 meter

DIMENSIONS (mm), WEIGHT (kg)



Ø G	A	B	C	(kg)
G 1/2	12	180	90	0,600
G 3/4	12	180	90	0,560
G 1	15	250	110	1,070
G 1 1/4	30	270	110	1,120

① Drain



EXHAUST COALESCING FILTER AND SILENCER

G1/2 to G1 1/4

Series
H30 - H40

PRESENTATION

- 99% oil removal efficiencies
- 25 dBA noise reduction
- High exhaust flow rates
- low differential back pressures
- top performer in automated paint systems
- 1 µm filtration
- Manual or continuous drain option

UTILISATION

The Numatics Reclassifier is an exhaust coalescing filter/silencer. Its design removes oil mist and reduces noise from exhaust ports on pneumatic air valves, cylinders, and air control systems at extremely high flow rates.

The Numatics Reclassifier can be mounted to exhaust ports on any valve or manifold using a common exhaust base or by combining exhaust ports. Mounting it vertically fully utilizes the oil-catching sump surrounding the filter element and provides easy draining.



SPECIFICATIONS

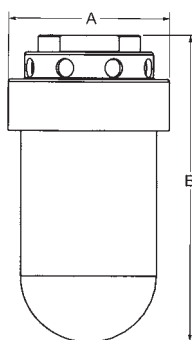
FLUID	: Compressed air or neutral gas
PORTS	: G 1/2 à G1 1/4
MAX. PRESSURE	: 7 bar
MAX. TEMPERATURE	: +50 °C
FILTRATION	: 99 % oil removal
MAX. FLOW	: 6550 to 10900 l/min (ANR)
NOISE REDUCTION	: > 25 dB (A)
PRESSURE DROP	: See characteristic curve

CHOICE OF EQUIPEMENT

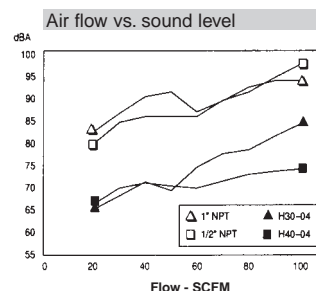
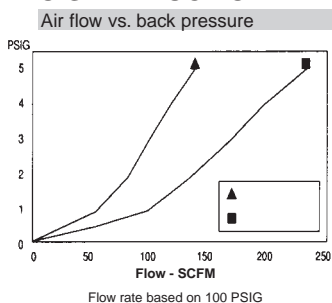
pipe size	max. flowrate l/min (ANR)	catalogue number
G 1/2	6550	H30G04
G 3/4		H30G06
G 1	10900	H40G08
G 1 1/4		H40G10

DIMENSIONS (mm)

Ø G	A	B
G1/2	64,0	178,0
G3/4	64,0	178,0
G1	95,0	203,0
G1 1/4	95,0	203,0



AIR FLOW VERSUS BACK PRESSURE AND NOISE REDUCTION

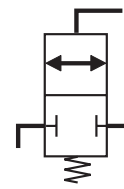


All leaflets are available on: www.asco.com

10 - Coils & Accessories

ORIENTABLE CYLINDER BLOCKING FITTING

port size G1/8 to G1/2
air-operated

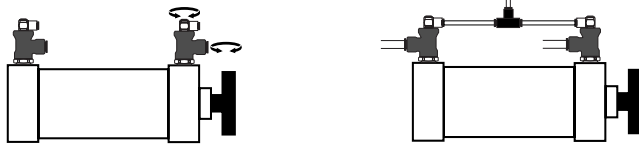


FEATURES

- Air-operated, monostable, normally-closed 2/2 valve
- Blocking fittings can be used to interrupt the circulation of compressed air
- **When installed in pairs**, they ensure that the cylinder stops as soon as pilot pressure is lost
- They can be used to lock the load in the event of loss of the pressure supply or to set a cylinder to intermediate stable positions

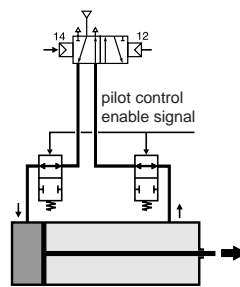
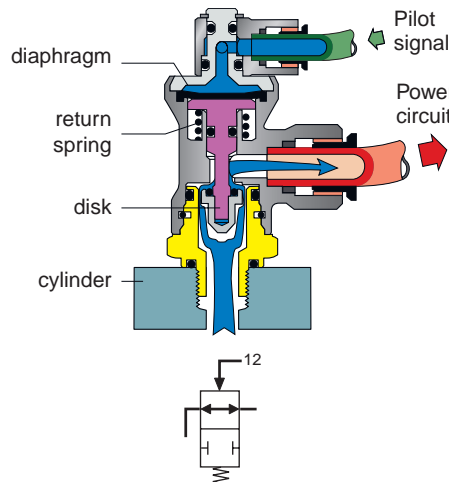
INSTALLATION

- Directly fitted to cylinder ports for compact installation
- Fully orientable on all ports to adapt to any pneumatic connection configuration

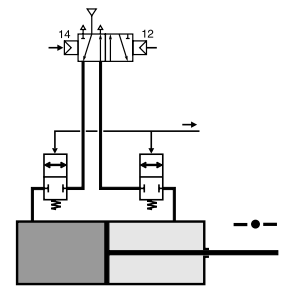
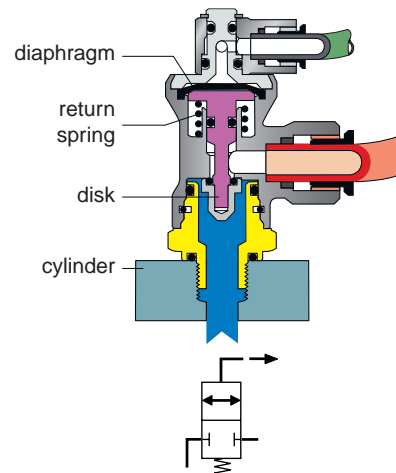


OPERATING PRINCIPLE

Cylinder in movement (pilot pressure applied)



Cylinder locked (no pilot pressure)

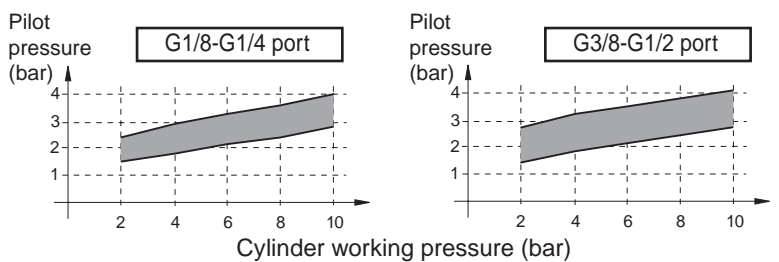


CONSTRUCTION

- MEDIUM** : Lubricated or unlubricated filtered neutral gas or air
- OPERATING PRESSURE** : 10 bar max.
- PILOT PRESSURE** : 1.5 to 4 bar
- TEMPERATURE** : -20°C to +70°C
- FLOW (Qv at 6 bar)** : see table below
- LEAK RATE** : <0.2 l/h
- BODY** : treated brass
- DIAPHRAGM AND SEALS** : Nitrile (NBR)

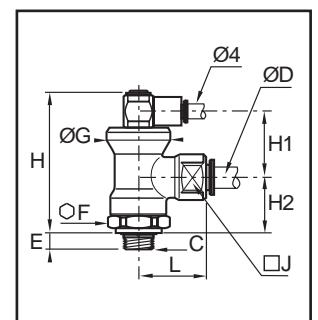
Piloting on/off thresholds

depending on cylinder working pressure

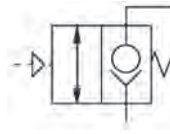


SPECIFICATIONS - DIMENSIONS

Port size ØC	Coupler size ØD	Flow at 6 bar l/min (ANR)	catalogue number	Dimensions								Weight (kg)
				E	F Ø	G Ø	H	H1	H2	J □	L	
G1/8	6	650	34602448	5,5	21	24	53	24,5	21	17	28	0,127
G1/4	8	650	34602450	6,5	21	24	53	24,5	21	17	28	0,124
G3/8	8	650	34602451	7,5	21	24	53	24,5	21	17	28	0,128
G3/8	10	1600	34602452	7,5	24	28	56	25	25	27	35	0,214
G1/2	12	1600	34602453	9	24	28	56	25	25	27	37,5	0,221



Port connection pushing fittings and power at pilot ports



GENERAL INFORMATION

- Pilot Operated Check Valves for Cylinder
- Mounting for pneumatic use

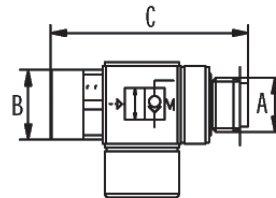
SPECIFICATION

INTERNAL TURNED PARTS	: Brass
EXTERNAL TURNED PARTS	: Zink plated brass
PLATING	: Galvanic zink
SPRINGS	: Stainless steel
STAMPED PARTS	: Stainless steel
PLASTIC PARTS	: PA
SEALING ELEMENTS	: NBR
SUITABLE FLUIDS	: Compressed air, lubricated or not lubricated
OPERATING PRESSURE	: 1 to 10 bar
TEMPERATURE RANGE	: -10 to +70 °C



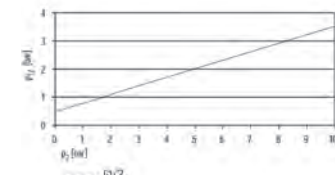
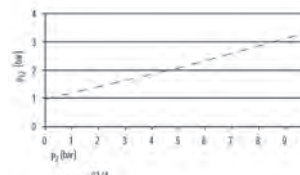
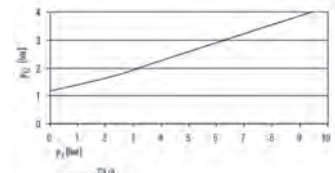
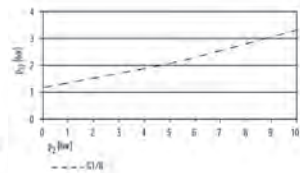
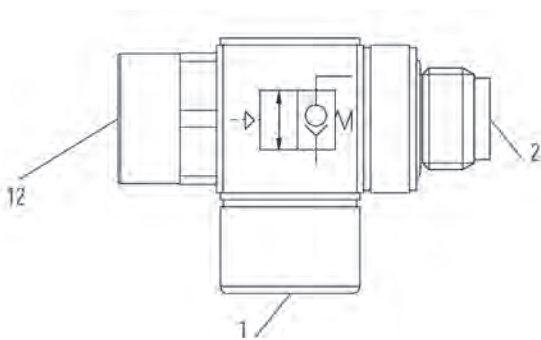
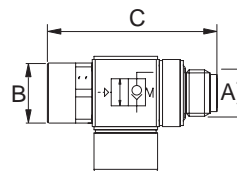
NCPPG Pilot Operated Check Valve, Push-In Fitting

catalogue number	Thread A G	B SW	C mm	Max. tightening torque Nm	Pilot port thread	E Ø mm
NCPPG-004-000	1/8"	13	41	10	M5	4
NCPPG-006-000	1/8"	13	41	10	M5	6
NCPPG-008-000	1/8"	13	41	10	M5	8
NCPPG-006-001	1/4"	17	48	12	M5	6
NCPPG-008-001	1/4"	17	48	12	M5	8
NCPPG-010-001	1/4"	17	48	12	M5	10
NCPPG-008-002	3/8"	22	55	20	M5	8
NCPPG-010-002	3/8"	22	55	20	M5	10



NCPGG Pilot Operated Check Valve, Thread (fem.)

catalogue number	Thread A G	B SW	C mm	Max. tightening torque Nm	Pilot port thread	D
NCPGG-000-000	1/8"	13	41	10	M5	1/8"
NCPGG-001-001	1/4"	17	48	12	M5	1/4"
NCPGG-002-002	3/8"	22	55	20	M5	3/8"
NCPGG-003-003	1/2"	27	65.5	30	M5	1/2"



Signal pressure characteristics min. signal pressure p_{12} to open the valve $p_1 = 7$ bar

Flow from 2 to 1 (SLPM)
 $p_1 = 5$ bar $p_2 = 6$ bar $p_{12} = 6$ bar

G1/8	G1/4	G3/8	G1/2
289	676	1156	1910

Flow from 1 to 2 (SLPM)
 $p_1 = 5$ bar $p_2 = 6$ bar $p_{12} = 0$ bar

G1/8	G1/4	G3/8	G1/2
128	617	1168	1888

FEATURES

- The Quick Exhaust Valves SEV C increases the working speed of pneumatics cylinders. It must be mounted directly on the port of the cylinder to achieve the maximum possible speed.

SPECIFICATION

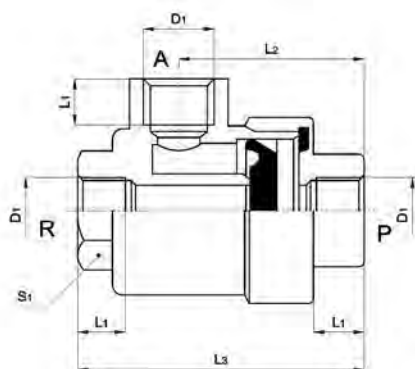
FLUID	: Filtered air with or without lubrication
PRESSURE RANGE	: 1 - 10 bar
TEMPERATURE RANGE	: -20 °C to +70°C
MOUNTING	: Preferably directly on the port of the cylinder
MATERIALS	: Body: Nickel plated brass
SEALS	: Diaphragm: Polyurethane, optionally VITON
WASHER	: NBR



thread D1 (G)	diaphragm material *	L1 (mm)	L2 (mm)	L3 (mm)	S1 (mm)	catalogue number
1/8	PU	7,5	27	42	15	SEV10C
1/4	PU	11	35	54	19	SEV25C
3/8	PU	11	35	54	19	SEV37C
1/2	PU	14	45	72	26	SEV50C
3/4	PU	16,3	53	87	32	SEV75C
1	PU	18	70	108	46	SEV100C

* Viton® on request
(Viton® is a registered trademark of Dupont Performance Elastomers)

DIMENSIONS (mm)



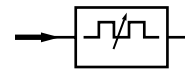
00624GB-2017/R01
Availability, design and specifications are subject to change without notice. All rights reserved.



ELECTRONIC TIMER

adjustable pulse generator
suitable for solenoid valves

Series
881

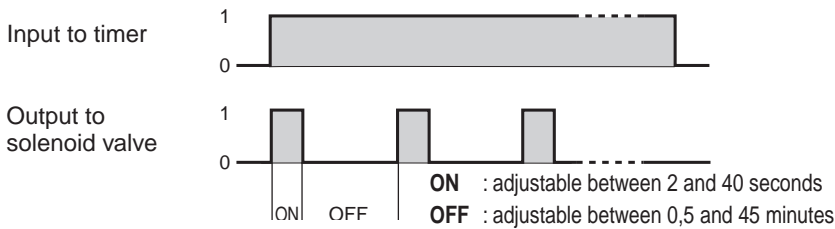


FEATURES

- This electronic timer, which generates adjustable pulses, is particularly suited for automatic control of draining of an air dryer or compressor. Indeed, when energised, it can initiate operation of the solenoid valve for the time necessary for draining condensates at regular adjustable intervals
- Other applications include irrigation, air blasting etc.
- Fits directly to any solenoid valve with standardised ISO 4400 / DIN connection, between coil and power connector

GENERAL / OPERATION

Converts a continuous power input into a succession of on-periods (ON), adjustable between 2 to 40 seconds and off-periods (OFF), adjustable between 0,5 to 45 minutes.



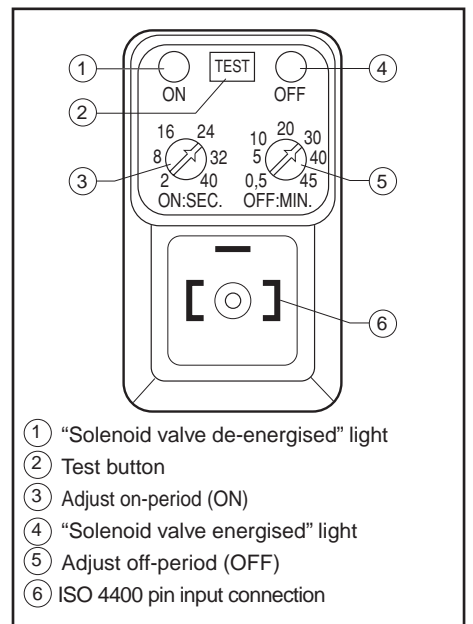
CONSTRUCTION

Housing (1) PA (polyamide)
Electrical connection 2 pins + earth to ISO 4400 for use with a connector to ISO 4400/EN 175301-803, form A (connector not supplied)
Agreement CSA

ELECTRICAL CHARACTERISTICS

Standard voltages 24 V to 240 V DC or AC (50/60 Hz)
Max. inrush current 10 A during 10 ms
Consumption 4 mA max.
Repeatability ± 0,1%
Scale accuracy ± 10%

electrical connection	max. power (I max. = 1A)	ambient temperature range	protection degree
ISO 4400	24 VA (with 24 V) to 240 VA (with 240 V)	-10°C to +50°C	IP65



- ① "Solenoid valve de-energised" light
- ② Test button
- ③ Adjust on-period (ON)
- ④ "Solenoid valve energised" light
- ⑤ Adjust off-period (OFF)
- ⑥ ISO 4400 pin input connection

SPECIFICATIONS

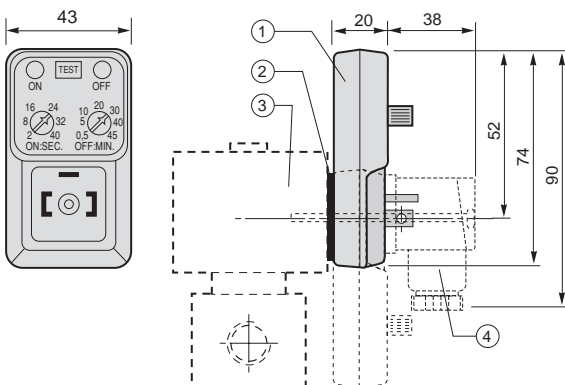
description	catalogue number
Electronic timer with auxiliary manual control for solenoid valve with ISO 4400 pin coil	88122627

(1) The pin arrangement of the timer enables rotation by increments of 180° in relation to the solenoid valve to which it is connected.

INSTALLATION

- If the width of the solenoid valve permits, the timer can be rotated about the connection axis by 180° increments
- Take care to fit properly the coil/timer seal and the connector seal
- Observe maximum power rating
- ISO 4400/EN 175301-803, form A, connection

DIMENSIONS (mm), WEIGHT (kg)

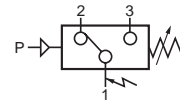


- ① Timer rotatable by 180° increments
- ② Seal
- ③ Solenoid valve with ISO 4400 standardised pin coil
- ④ Connector rotatable by 90° increments (not supplied)

Weight: 0,054 (without connector)

00146GB-2017/R01 Availability, design and specifications are subject to change without notice. All rights reserved.





GENERAL

PROTECTION

AND STATUS INDICATORS

	WITHOUT	WITH
FLUID	: Air or neutral gas, filtered, lubricated or dry	
PRESSURE SETTING	: 0,5 to 10 bar (0,2 - 6 bar on request)	
HYSTERESIS	: 0,4 bar at the beginning of adjustment range 1 bar at the end of adjustment range	

MAX. PRESSURE (PMA)	: 10 bar or 16 bar
OPERATING TEMPERATURE	: -10°C; +60°C : 0°C, +60°C
MAX. VOLTAGE	: 250 V - AC/DC : 24 V DC
CURRENT BREAKING CAPACITY	: 5 A - 250 V resistive : 2 A - 24 V DC resistive
PROTECTION DEGREE	: IP65
MOUNTING POSITIONS	: all positions
MAX. SPEED	: 60 cycles per minute

CONSTRUCTION

Bodies: PC (polycarbonate) / aluminium for 16 bar version

Nitrile (NBR) seals

Commutator (reversing switch) •at rest : contact 1 - 2 made
•at work : contact 1 - 3 made

Mechanical service life: 5.10⁶ contacts

Pressure set by set screw and lock-nut

SPECIFICATIONS

Type	Designation	Pressure setting (bar)	catalogue number	
			Without protection	With protection
	Adjustable pressure switch with side pneumatic connection, tapped G1/4	0,2 - 6	34900015	-
		0,5 - 10	34900018	34900019
		0,5 - 16	34900021	-
	Adjustable pressure switch with subbase mounted pneumatic connection (version adaptable on FRL)	0,5 - 10	34900030	34900031

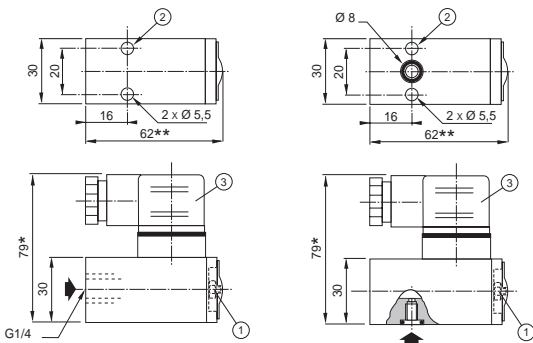
DIMENSIONS AND WEIGHT

Weight: 110 g

Version **without** protection and status indicators

Tapped

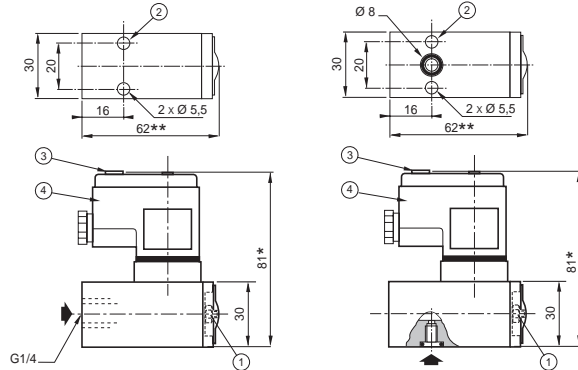
subbase mounted



Version **with** protection and status indicators

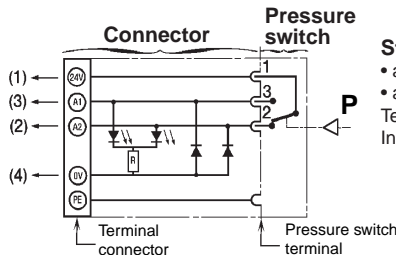
Tapped

subbase mounted



- ① Pressure set screw (spanner for hexagon nuts: 3 mm)
- ② 2 holes Ø 5,5 for mounting
- ③ ISO4400 size 30 connector, 4 terminals, rotatable by 90°
- * +15 mm for connector clearance
- ** +2 mm for 0,5 - 16 bar version

ELECTRICAL DIAGRAM



Status indicated by two diodes :

- at rest : contact 1-2 made: orange diode lights
- at work : contact 1-3 made: red diode lights

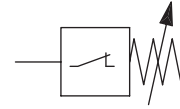
Terminal connection for 1,5 mm² wire
Integrated interference blanking

- ① Pressure set screw (spanner for hexagon nuts: 3 mm)
- ② 2 holes Ø 5,5 for mounting
- ③ Identification label holder
- ④ ISO 4400 size 30 connector, 4 terminals (not rotatable)
- * +15 mm for connector clearance
- ** +2 mm for 0,5 - 16 bar version

All leaflets are available on: www.asco.com

DIAPHRAGM PRESSURE SWITCHES

G1/8 - G1/4 external threaded body



GENERAL

Fluid	Air or neutral gas, filtered, lubricated or dry
Maximum allowable pressure (MAP)	16 bar
Control range	0 - 10 bar
Fluid temperature	-10°C to +60°C
Max. speed	60 cycles per minute
Hysteresis	0,2 bar at the beginning of control range
Mechanical service life	10 ⁶ contacts
Mounting positions	All positions

CONSTRUCTION

Body	Steel
Seals	FPM (fluoroelastomer)
Pressure set	By set screw

ELECTRICAL CHARACTERISTICS

Max. switched voltage	48 V DC
Max. switched current	0,5 A
Electric contact	Plated silver

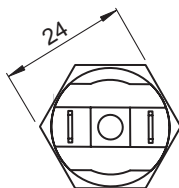
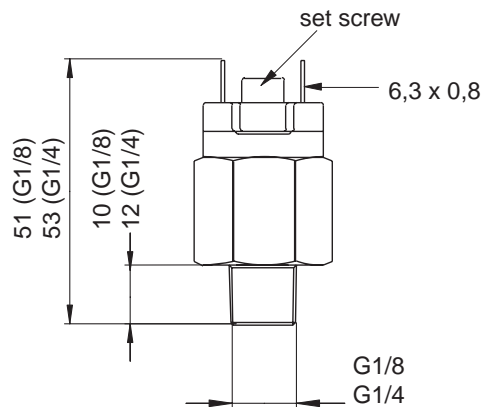


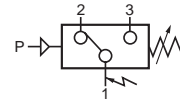
SPECIFICATIONS

designation		control range (bar)	maximum allowable pressure (MAP) (bar)	catalogue number
Diaphragm pressure switch, NC, adjustable, pneumatic connection	G 1/8	1 - 10	16	34900048
	G 1/4			34900049

DIMENSIONS (mm), WEIGHT (kg)

weight
0,065





GENERAL

FLUID : air or neutral gas, filtered, not lubricated, free of condensate
 CONNECTION : G1/8
 PRESSURE RANGE : 0 to 10 bar
 MAX. OVERPRESSURE : 15 bar
 OPERATING TEMPERATURE : 0°C, +50°C (storage: -20°C, +60°C)
 ELECTRICAL CONNECTION : 4-pin M8 connector
 SUPPLY VOLTAGE : 12 to 24 volts, max. ripple 10%, reverse voltage protection
 CONSUMPTION : < 55mA
 VOLTAGE SPIKE : 350 V Peak, 1µs
 ACCURACY : +/- 200 mbar (2% of full range)
 DIGITAL DISPLAY : 3-digit - 7 segments - display frequency : 5 Hz
 UNITS OF MEASURE : bar - psi - MPa - kgf/cm²
 OUTPUTS : 2 PNP outputs selectable NO or NC, max. load current 80 mA, 30 V, with overcurrent protection, status indication by LED

2 OUTPUT MODES

RESPONSE TIME : < 2,5 ms - 24 ms - 192 ms - 768 ms
 PROTECTION DEGREE : IP65
 VIBRATION RESISTANCE : 10 to 55 Hz, 1.5 mm, XYZ, 2 hours
 SHOCK RESISTANCE : 980 m/s² (100G), XYZ

CARACTERISTICS

Recording of peak value and bottom value
 Lockout feature

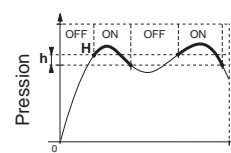
CONSTRUCTION

Polycarbonate body (PC)
 NBR (nitrile) sealings



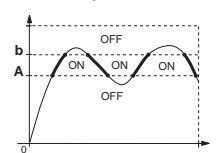
OPERATING

Hysteresis mode



H = Switch point
 h = hysteresis

Comparator mode



b = upper threshold
 A = lower threshold

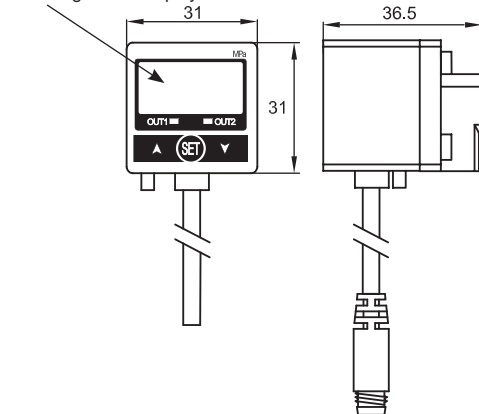
SPECIFICATIONS

description	catalogue number
electronic pressure switch with digital display adjustable from 0 to 10 bar, pneumatic connection G1/8 (delivered with 2 brackets, 1 plug G1/8)	34900050
panel mounting kit for electronic pressure switch	88100967
straight female connector Ø M8, 4 wires, IP65, with 5 m PVC lead (other end plain)	88157771

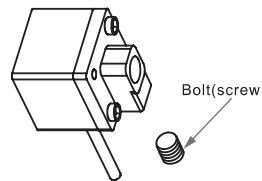
DIMENSIONS AND WEIGHT

Weight: 105 g

3 1/2" digit LED Display



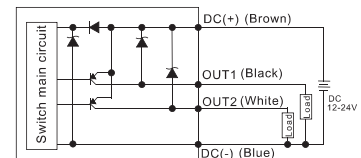
2 inlet pressure ports G1/8



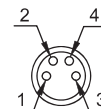
ELECTRICAL DIAGRAM

Pressure switch User connection

PNP output



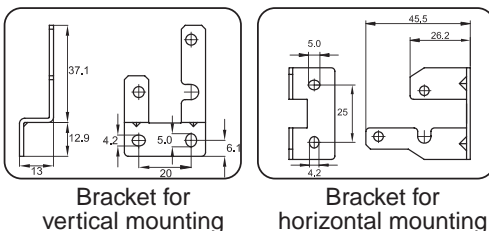
ELECTRICAL CONNECTION



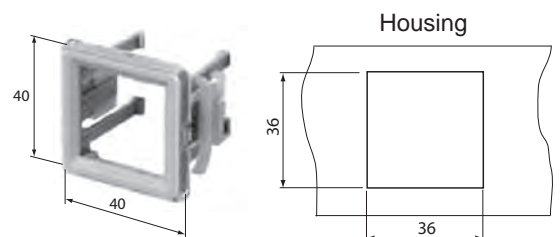
- 1 = brown (V +)
- 2 = white (output 2)
- 3 = blue (V -)
- 4 = black (output 1)

ACCESSORIES

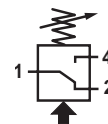
BRACKET MOUNTING



PANEL MOUNTING KIT

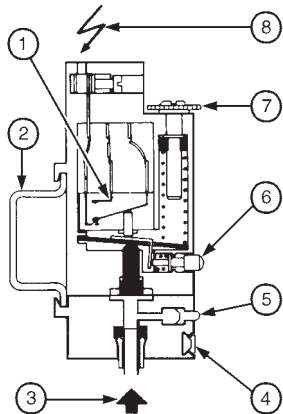


00576GB-2017/IR01 Availability, design and specifications are subject to change without notice. All rights reserved.



FEATURES

- This interface will change a pneumatic signal into an electrical signal.
- Equipment can be fitted on standard symmetrical rail



- ① Standard microswitch 5A/230 V
- ② Symmetrical rail EN 50022
- ③ Pneumatic signal
- ④ Marking tag
- ⑤ Visual indication of pneumatic input
- ⑥ Manual override
- ⑦ Adjustment of switching pressure 1 to 8 bar
- ⑧ Electrical signal : - common
- normal closed contact
- normal open contact



GENERAL

Switching pressure

Adjustable from 1 to 8 bar

Hysteresis

15% at 4 bar

Switching capability

5 A - 230 V (Resistive)

Ambient temperature

-10°C to +50°C

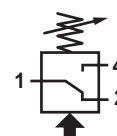
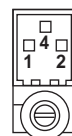
Electrical connections

3 screw terminals (IP20)

Maximum wire size

0,75 mm²

CONNECTIONS

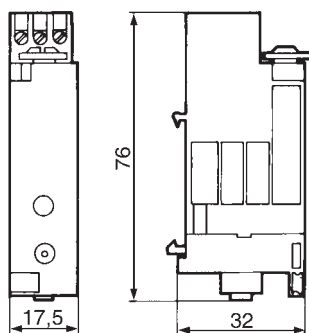


CHOICE OF EQUIPMENT

designation	code
pneumatic, electric interface with manual override	30400009
50 blank marking tags	33400042

DIMENSIONS (mm), WEIGHT (kg)

weight
0,048



PRESSURE REGULATOR PRESSURE GAUGE FLOWRATE REDUCING-VALVE

Series
342-343-346
Type
MICRO 10

PRESSURE REGULATOR

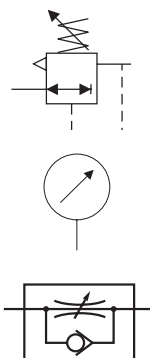
- Board-mounting available (drilling 12,2 mm dia.)
- Control range 0,5 to 8 bar
- Body with two optional ØM5 side-outlets

PRESSURE GAUGE

Back coupling R1/8

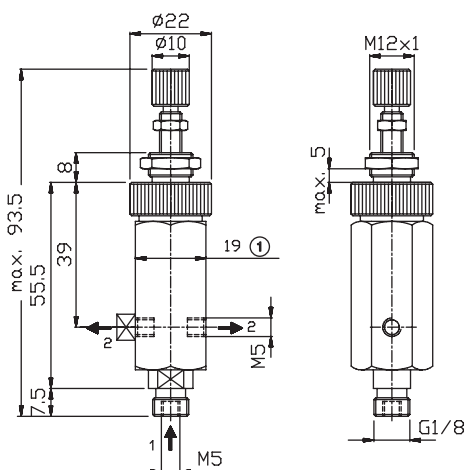
FLOWRATE REDUCING-VALVE

- In line, fitted ØM3
- Flowrate reducing-valve orientable, directly adjustable on cylinder, ØM3



Description	Connection	Control range (bar)	Flow (l/min - ANR)	Allowable temperature	Materials	CODES
Pressure regulator	Input: female M5 or male G 1/8 Output: female 2 x M5	0,5 - 8 ($p_{max}=16$)	120 (with $p_1=8$ bar $p_2=6$ bar)	0°C, + 60°C	Body: Al + Brass Internals parts: Brass + Steel Seal: NBR (nitrile)	34201802
Pressure gauge Ø 40	R 1/8	0 - 10	—	-20°C, + 80°C	Body Black polyester	34300014
Reducing-valve for pressure gauge	G 1/8-M5	—	—	—	Nickeled brass	34600372
Flowrate reducing- valve	in line M3	0 - 8	30	+ 5°C, + 50°C	Body: Nickeled brass Rod: Nickeled brass	34600320

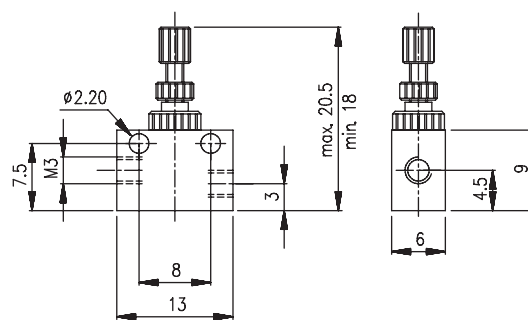
PRESSURE REGULATOR Ø M5-G1/8



- Delivered with 1 screw-plug, M5 dia.
- Weight: 90 g
- ①: Dimensions on flats

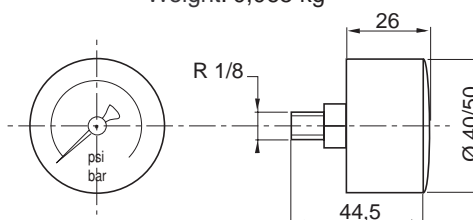
FLOWRATE REDUCING-VALVE Ø M3 IN LINE

Weight: 10 g



PRESSURE GAUGE

Weight: 0,065 kg





COUPLING CONNECTORS

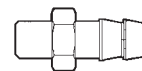
Material: Nicked brass

Designation	Dimensions	Connector		CODES (by sets of 10 parts)
		Mounting ØC (mm)	Tube (out.Ø) ØD (mm)	
Straight male tapping		M3	3	34600354
Compact square with male tapping		M3	3	34600356
Raised square with male tapping		M3	3	34600358
Tee with centered male tapping		M3	3	34600359
		M5	3	34600360
Tee with end male tapping		M3	3	34600361
Equal double union		—	3	34600363
Equal square		—	3	34600364
Equal tee		—	3	34600365
Snap-in plug		—	3	34600367*
Simple banjo connector		M3	3	34600368

* by set of 50 pieces

THREADED AND HOSE-CONNECTORS

for flexible tubes 2 and 3 mm inner dia.
Threaded Ø M3 - Ø M5



THREADED AND HOSE-CONNECTORS

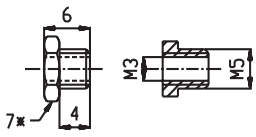


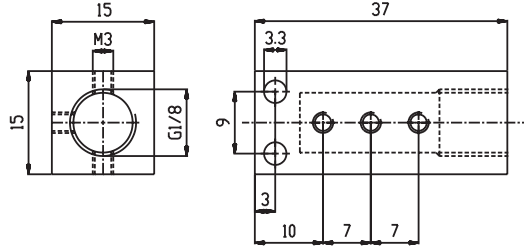
Material: Nickered brass

Designation	Dimensions	Connector		CODES (by sets of 10 parts)
		Mounting (mm)	Tube (out.Ø) ØD (mm)	
Straight male tapping	<p>() : dimensions for M5 x 3 version (346 00 237)</p>	M3	2	34600235
		M3	3	34600236
		M5	3	34600237
Equal double union		—	2	34600238
		—	3	34600239
Square with centered male tapping	<p>() : dimensions for M5 x 3 version (346 00 241)</p>	M3	2	34600240
		M5	3	34600241
Equal tee	<p>() : dimensions for tube Ø3 (346 00 243)</p>	—	2	34600242
		—	3	34600243
Female tee with centered male tapping		M3	—	34600244
Equal double male fitting		M3-M3	—	34600245
		M5-M5	—	34600246

* sizes across flats

THREADED CONNECTORS

Material: Nickel brass

Designation	Dimensions	Connection	CODES (by 10 parts packages)
Adapter male M5 - female M3		M3-M5	34600247
Hexagon male plugs		M3	34600248
		M5	34600249
Plastic washer		M3	34600250
		M5	34600251
Distributing connector (9 or 12 ports)		G1/8 + 9 Ø M3	34600252**
		G1/8 + 12 Ø M3	34600253**

* sizes across the flats

** Supplied per unit

CONNECTORS



EN 175301-803, industry standard form B (11 mm)
 ISO 4400 / EN 175301-803, form A (18 mm)
 sizes 22 and 30

Series
881

FEATURES

- Spade connector sizes 22 and 30 to fit standardised three-pin moulded coils:
 - size 22, EN 175301-803, industry standard form B (11 mm), for coil types CM5, CM22, C22A, EMX and BMX
 - size 30, ISO 4400 / EN 175301-803 form A (18 mm), for coil types CM6, CMXX, CM12, CM25, C25A, CM30, CM40, ANX, AMX, JMX, FNX and FMX
- The connectors are available in three versions: standard rotatable version with or without integrated visual LED indicator and electrical protection, or version with non-rotatable 3-core moulded-in cable, 2 m long
- The standard connector size 30 is provided with a removable lid allowing access to the wiring for easy checking of power supply without unplugging the connector and without interrupting operation of the solenoid valve

GENERAL

Connector specification

size 22 (11 mm)

size 30 (18 mm)

Max. operating temperature

EN 175301-803 industry standard form B
 ISO 4400 / EN 175301-803, form A
 -40°C to +80°C (-40°C to +125°C⁽¹⁾ with silicone seal)
 [version with moulded-in cable -5°C to +70°C]

CONSTRUCTION

Standard version

Enclosure with LED and protection

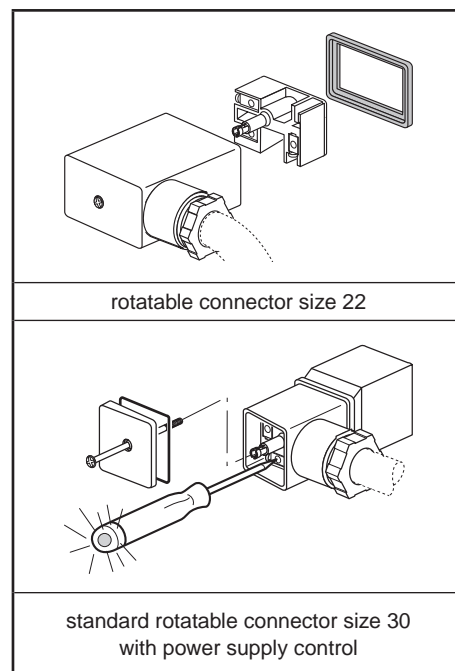
Enclosure with PVC cable

Seals

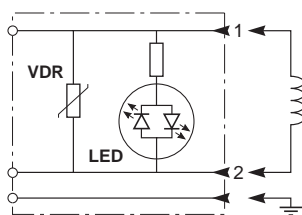
PA (polyamide), glass-fibre reinforced
 PA
 PA (polyamide), glass-fibre reinforced
 NBR [option for size 30: VMQ (silicone)]

ELECTRICAL CHARACTERISTICS

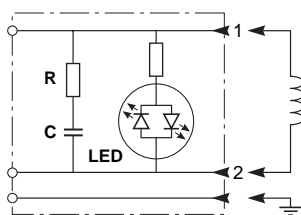
	Size 22	Size 30
Number of contacts	2 + common earth	2 + common earth
Distance between contacts	11 mm	18 mm
Contact resistance	≤ 4 m Ω	≤ 4 m Ω
Connector	Spade plug	Spade plug
Electrical safety	IEC 335	IEC 335
Electrical enclosure protection	IP65 (EN 60529)	IP65 (EN 60529)
Number of wires (with cable)	3	3



LED indicator and electrical protection diagrams



connector size 22



connector size 30

VDR Varistor absorbing the self-inductance of the coil.
RC RC circuit absorbing the self-inductance of the coil.
LED Green light-emitting diode, bidirectional, signalling the presence of voltage across the coil terminals.

SPECIFICATIONS

description	cable length	cable O.D.		wire cross-section (mm ²)	max. voltage (V)	type	catalogue number		
		size 22	size 30				size 22 NBR	size 30 NBR	size 30 VMQ ⁽¹⁾
Rotatable connector									
standard, without LED indicator	-	6-8 mm	6-10 mm	1,5	250	01-02	88122404	88122602	88122625
with integrated LED indicator and electrical protection	-	6-8 mm	8-10 mm	1,5	12	01-02	-	88122611	-
					24		88122405	88122603	-
					48		88122406	88122604	-
					115		88122407	88122605	-
230	88122410	88122608	-						
Non-rotatable connector with cable									
without LED indicator	2 m	-	-	1,5	250	03-04	88122413	88122612	-

⁽¹⁾ For use within class H temperature limits.

00142GB-2016/R02
 Availability, design and specifications are subject to change without notice. All rights reserved.

INSTALLATION

• The connectors can be mounted in any position without affecting operation

ORDERING EXAMPLES:

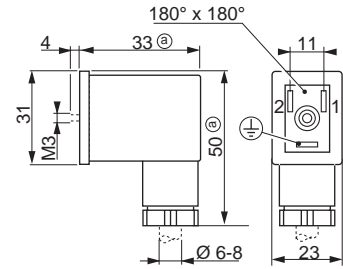
88122404
88122602
basic number _____

DIMENSIONS (mm), WEIGHT (kg)

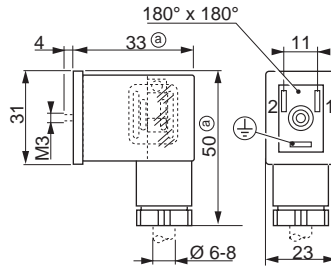


TYPE 01
Size 22 (11 mm)
EN 175301-803 industry standard form B
IP65

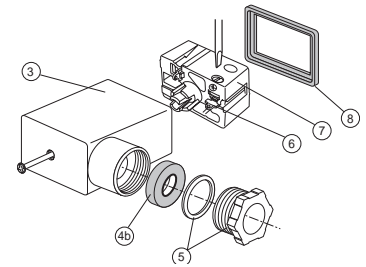
88122404



88122405/406/407/410



88122404/405/406/407/410

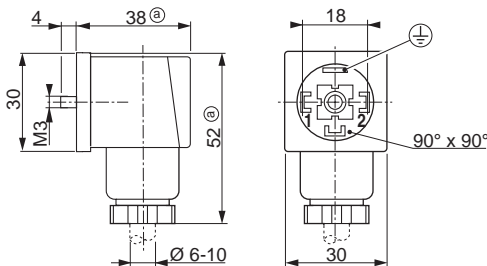


(a) Max. dimension.

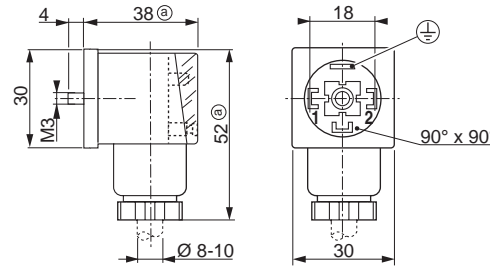


TYPE 02
Size 30 (18 mm)
ISO 4400 / EN 175301-803, form A
IP65

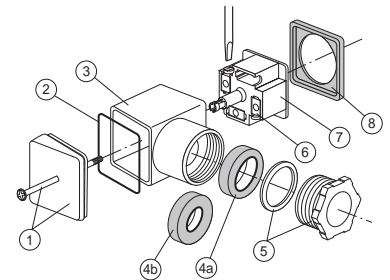
88122602/625



88122611/603/604/605/608



88122602/625

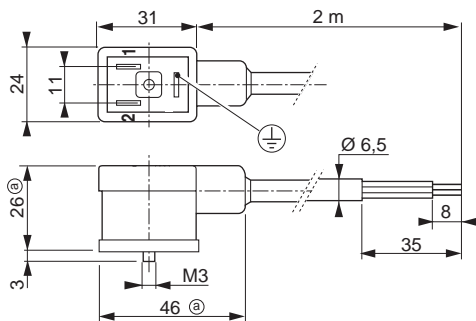


(a) Max. dimension.



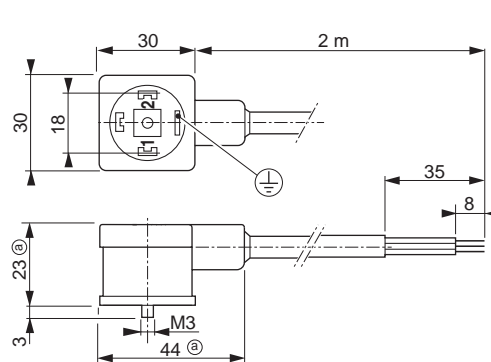
TYPE 03
Size 22, flying leads (11 mm)
EN 175301-803 industry standard form B
IP65
(non-rotatable terminal holder)

88122413



TYPE 04
Size 30, flying leads (18 mm)
ISO 4400 / EN 175301-803, form A
IP65
(non-rotatable terminal holder)

88122612



(a) Max. dimension.

type	L (m)	weight ⁽¹⁾	
		without LED indicator	with LED indicator
01	-	0,025	0,025
02	-	0,030	0,032
03	2	0,150	-
04	2	0,155	-

sizes 03 and 04	
brown wire	terminal 1 (+)
blue wire	terminal 2 (-)
green/yellow wire	earth

⁽¹⁾ Including seals and screws.

- ① Fastening screw / cover
- ② Cover seal
- ③ Enclosure
- ④ **88122602/625:**
2 seals
for cable dia. 8 to 10 mm (4a)
or cable dia. 6 to 8 mm (4b)
88122611/603/604/605/608:
1 seal for cable dia. 8 to 10 mm (4a)
88122404/405/406/407/410:
1 seal for cable dia. 6 to 8 mm (4b)
- ⑤ Stuffing box washer and nut
- ⑥ Cable connection terminal
- ⑦ Terminal holder
- ⑧ Connector seal



CONNECTORS

EN 175301-803, industry standard form C (9,4 mm)
EN 175301-803, form C (8 mm)
size 15

Series
881

FEATURES

- Spade connector size 15 to fit standardised three-pin moulded coils:
 - EN 175301-803, industry standard form C (9,4 mm), for coil type CM15 (series 202), DMX and series 302, 630, 519, 520, 521 and 578 (MEGA)
 - EN 175301-803, form C (8 mm), for series 302, 630 and 202
- The connectors are available in three versions: standard rotatable version, or version with non-rotatable 3-core moulded-in cable, 2 m or 5 m long, with or without integrated visual LED indicator and electrical protection

GENERAL

Connector specification

size 15, 9,4 mm pin spacing

size 15, 8 mm pin spacing

Max. operating temperature

EN 175301-803, industry standard form C

EN 175301-803, form C

-25°C to +60°C

[version with moulded-in cable -25°C to +60°C]



CONSTRUCTION

Standard version

PA (polyamide), glass-fibre reinforced

Enclosure with LED and protection

PA or PP

Enclosure with PVC cable

PP (polypropylene), glass-fibre reinforced

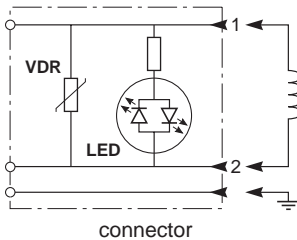
Seals

NBR

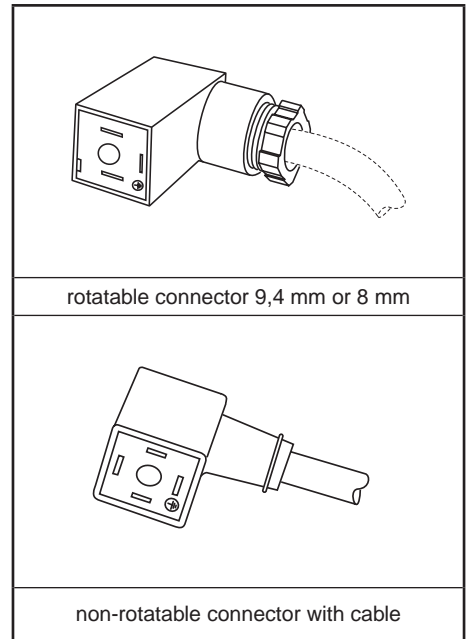
ELECTRICAL CHARACTERISTICS

	Size 15	Size 15
Number of contacts	2 + common earth ⁽¹⁾	2 + common earth
Distance between contacts	9,4 mm	8 mm
Contact resistance	≤ 4 m Ω	≤ 4 m Ω
Connector	Spade plug	Spade plug
Electrical safety	IEC 335	IEC 335
Electrical enclosure protection	IP65 (EN 60529)	IP65 (EN 60529)
Number of wires (with cable)	3	3

LED indicator and electrical protection diagrams



VDR Varistor absorbing the self-inductance of the solenoid valve coil.
LED Green light-emitting diode, bidirectional, signalling the presence of voltage across the coil terminals.



rotatable connector 9,4 mm or 8 mm

non-rotatable connector with cable

SPECIFICATIONS

description	cable length	cable O.D.	wire cross-section (mm ²)	max. voltage (V)	type	catalogue number	
						size 15	
						9,4 mm	8 mm
Rotatable connector							
standard, without LED indicator	-	4-6 mm	0,6	250 V	01-02	88143581	88130211
Non-rotatable connector with cable							
without LED indicator	2 m	-	0,6	250 V	03	88143567	⁽²⁾
with integrated LED indicator and electrical protection	2 m	-	0,6	24 V	04	88143580	-
	5 m					88143593	-

⁽¹⁾ Version with 3 pins + earth, see our catalogue Fluid Automation Pneumatic Components, page P575.

⁽²⁾ Contact us

OPTIONS

- Connectors with cable, 5 m long, contact us

INSTALLATION

- The connectors can be mounted in any position without affecting operation

ORDERING EXAMPLES:

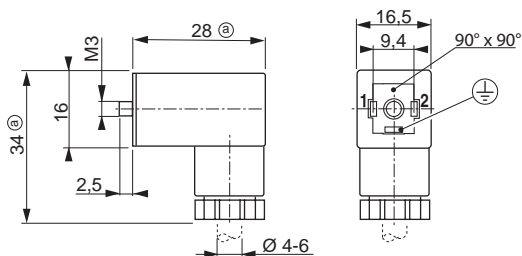
88143581
88130211

basic number _____

DIMENSIONS (mm), WEIGHT (kg)

TYPE 01
Size 15, 9,4 mm
EN 175301-803, industry standard form C
IP65

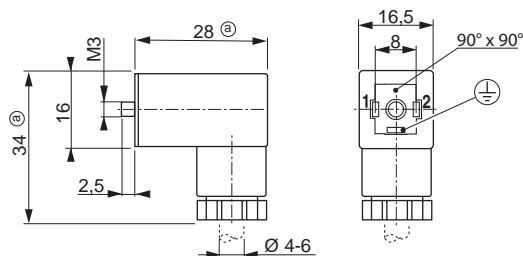
88143581



(a) Max. dimension.

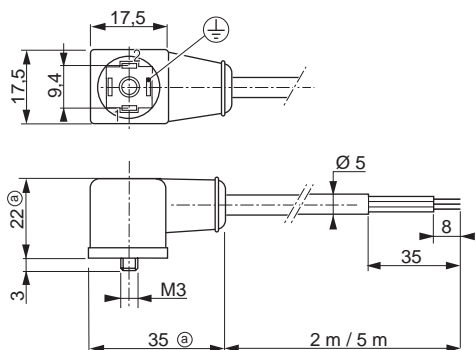
TYPE 02
Size 15, 8 mm
EN 175301-803, form C
IP65

88130211



TYPE 03
Size 15, flying leads, without LED indicator
EN 175301-803, industry standard form C (9,4 mm)
IP65
(non-rotatable terminal holder)

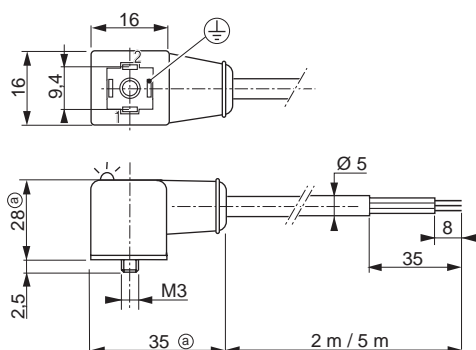
88143567



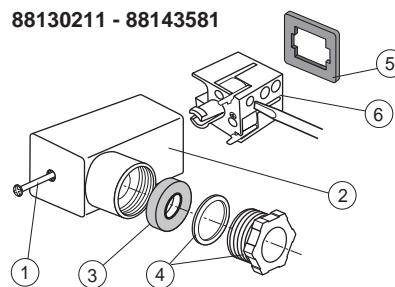
(a) Max. dimension.

TYPE 04
Size 15, flying leads, with LED indicator
EN 175301-803, industry standard form C (9,4 mm)
IP65
(non-rotatable terminal holder)

88143580/593



(a) Max. dimension.



- ① Fastening screw
- ② Enclosure
- ③ Seal for cable dia. 4 to 6 mm
- ④ Stuffing box washer and nut
- ⑤ Connector seal
- ⑥ Terminal holder
- ⑦ Cable connection terminal

type	L (m)	weight ⁽¹⁾	
		without LED indicator	with LED indicator
01 - 02	-	0,015	-
03	2	0,100	-
04	2	-	0,100
	5	-	0,220

⁽¹⁾ Including seals and screws.

sizes 03 and 04	
brown wire	terminal 1 (+)
blue wire	terminal 2 (-)
green/yellow wire	earth

All leaflets are available on: www.asco.com

GENERAL

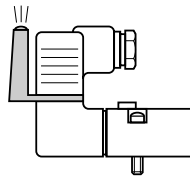
The built-in module of visual indication (LED) and electrical protection can be fitted on any solenoid valve or spool valve equipped with 2 terminals + 1 earth, size 15, among the following :

- Spool valve 5/2 - 5/3 Ø M5 - series 519
- Spool valve 5/2 - 5/3 G 1/8 - series 520
- Spool valve 5/2 - 5/3 G 1/4 - series 521

MOUNTING

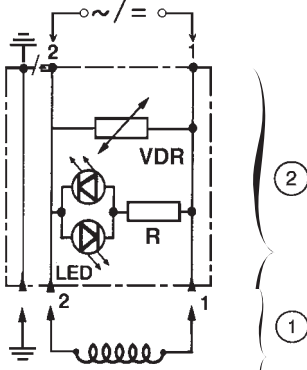


Mounting of the module between the connector and the solenoid valve (rotatable x 180°)



ELECTRICAL CHARACTERISTICS AND SPECIFICATIONS

- VOLTAGE : 24 V DC / 24V-115V-230V AC 50/60 Hz
 AMBIENT TEMPERATURE : -15°C to +50°C (see appropriate limits for each product)
 CONNECTION : on coil terminals, hold position by means of the connector size 15.
 NUMBER OF TERMINALS : 2 terminals + earths (2 earths are symetrical to allow module reversal)
 CONSUMPTION : 0,25 W (24V) - 0,40 W (115V) - 0,75 W (230V)
 PROTECTION : IP65



LED - green luminous diode, bi-directional to check voltage on coil terminals (24V AC/DC, 115V AC, 230 V AC).

VDR - Varistat absorbing back EMF of coil

- ① Coil for mini pilot/solenoid valve/spool valve size 15
- ② Module of visual indication and electrical protection

CONSTRUCTION

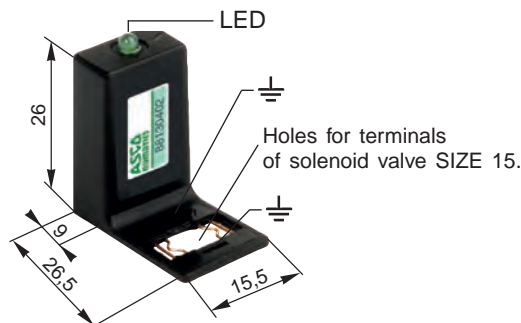
Body in glass-filled polyamide (PA + FG)
 Electronic components encapsulated in compound

RANGE SPECIFICATION

Description	CODES
Module of visual indication (LED) and electrical protection	24V AC/DC
	115V AC
	230V AC

DIMENSIONS AND WEIGHT

Weight : 5 g



00425GB-2017/R01 Availability, design and specifications are subject to change without notice. All rights reserved.



CONNECTORS

ISO 4400 / EN 175301-803, form A
size 30
with protection by TRANSIL and LED display

Series
881

FEATURES

- The main advantages of a connector with protection by TRANSIL are:
 - No polarisation
 - Overtoltage suppression
 - Shorter response time
 - Excellent protection of the PLC or control system by indicating loss of automatic control in the event of a fault
 - Label-holder provided for identification
- Spade connector to fit standardised three-pin moulded coils:
 - size 30, ISO 4400 / EN 175301-803 form A, for coil types CM6, CMXX, CM12, CM25, C25A, CM30, CM40, ANX, AMX, JMX, FNX and FMX
- The connectors, which have LED displays, are provided with 2/3/5 m leads and with stripped conductors ends



GENERAL

Connector specification	General purpose ISO 4400 / EN 175301-803, form A	Automobile industry ISO 4400 / EN 175301-803, form A
Max. operating temperature	-5°C to +70°C	-5°C to +70°C

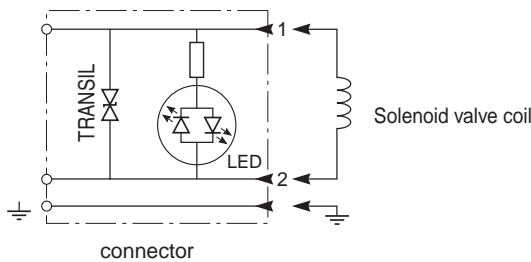
CONSTRUCTION

Body and cover	PA, glass fibre reinforced	PA, glass fibre reinforced
Cable	PVC	CNOMO E03.40.150.N
Seals	NBR	NBR

ELECTRICAL CHARACTERISTICS

Voltage	115 V AC/DC	24 V AC/DC
Peak voltage	< 246 V	< 49,9 V
Rated current	10 A	10 A
Number of contacts	2 + 2 common earths ⁽¹⁾	2 + 2 common earths ⁽¹⁾
Distance between contacts	18 mm	18 mm
Contact resistance	≤ 4 m Ω	≤ 4 m Ω
Connection	Flying lead	Flying lead
Electrical safety	IEC 335	IEC 335
Electrical enclosure protection	IP65 (EN 60529)	IP65 (EN 60529)
Number of wires (with cable)	3	3

LED indicator and electrical protection diagram



LED Green light-emitting diode, bidirectional, signalling the presence of voltage across the coil terminals.

SPECIFICATIONS

description	cable length	wire cross-section	max. voltage	type	catalogue number
		(mm ²)	(V)		
General purpose					
cable with stripped ends	3 m	0,75	115	01	88122618
	5 m				88122619
Automobile industry, CNOMO lead resistant to cutting fluid					
cable with stripped ends	2 m	1	24	02	88122620
	5 m				88122621

⁽¹⁾ The two common earth terminals enable rotation of the connector by 180° increments.

00143GB-2016/R02
Availability, design and specifications are subject to change without notice. All rights reserved.

INSTALLATION

- The connectors can be mounted in any position without affecting operation

ORDERING EXAMPLES:

88122618
88122620
basic number _____

DIMENSIONS (mm), WEIGHT (kg)

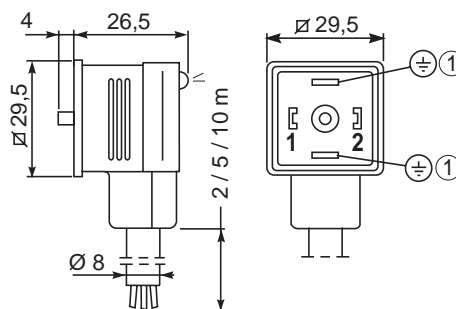
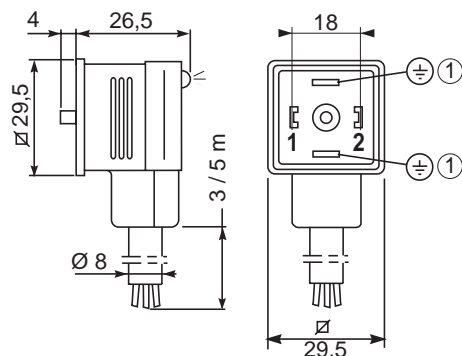


TYPE 01-02

Size 30, flying leads
ISO 4400 / EN 175301-803, form A
IP65

Type 01: **88122618 / 88122619**

Type 02: **88122620 / 88122621**



type 01	
brown wire	terminal 1
blue wire	terminal 2
green/yellow wire	earth

type 02	
black wire	terminal 1
black wire	terminal 2
green/yellow wire	earth

type	L	weight ⁽¹⁾
	(m)	
01	3	0,225
	5	0,375
02	2	0,150
	5	0,375

① The 2 common earth terminals enable rotation of the connector by 180° increment.

⁽¹⁾ Including seal and screw.



SCATTERGOOD & JOHNSON LTD

ELECTRICAL ENGINEERING & FLUID CONTROL DISTRIBUTORS

Est.1899

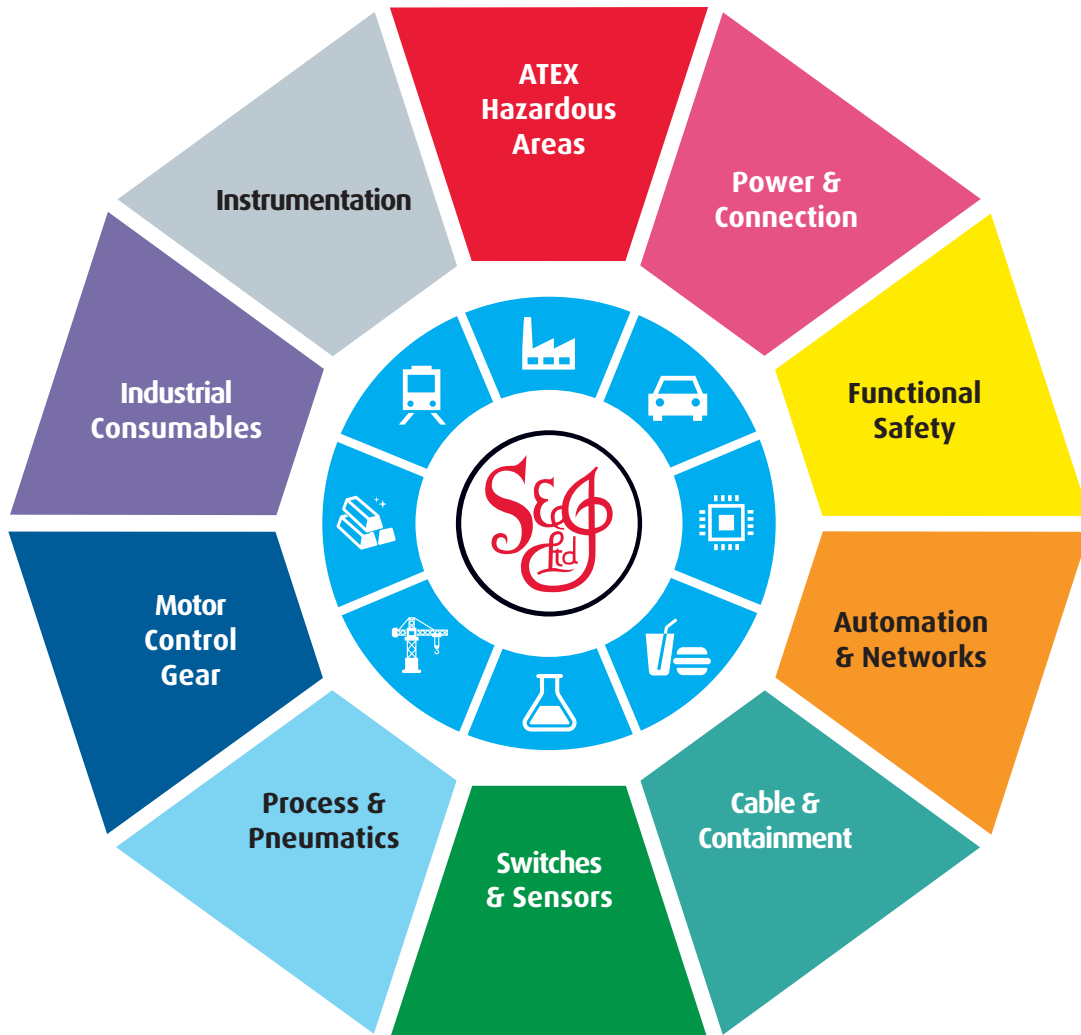
At Scattergood & Johnson Ltd, we pride ourselves on being a technical distributor to specialist industries.

Working with a range of quality product suppliers across a number of specialist markets, we are not your average 'box shifter' - we are your technical and supply chain partner.

We fully support every product we sell - for free! Our internal team and external sales engineers can answer any product or application question, no matter the complexity.

Backing up this technical ability is a range of 50,000+ products available from stock for nationwide next day delivery (same day if required!), or you can collect what you need from any of our trade counters around the UK.

Select your specialist interest below to learn more about how we can help.



Online, In Branch and On the Road - Scattergood & Johnson Ltd, there when you need us.

www.scatts.co.uk