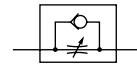




ACCESSORIES

flow controllers
panel mounted "in line" flow regulators



Series
346

GENERAL

Operating pressure 1 to 10 bar
Ambient temperature range -10°C to +60°C

fluids (*)	temperature range (TS)	seal materials (*)
air, inert gas, filtered lubricated or not	-10°C to +60°C	NBR (nitrile)

MATERIALS IN CONTACT WITH FLUID

(*) Ensure that the compatibility of the fluids in contact with the materials is verified

Body Aluminium
Seals NBR

SPECIFICATIONS

pipe size	catalogue number
M5	34602010
G 1/8	34602152
G 1/4	34602153
G 3/8	34602154
G 1/2	34602155
G 3/4	34600156

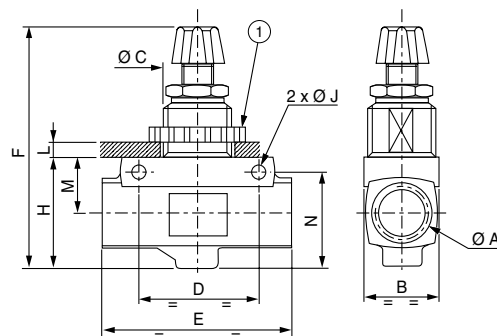
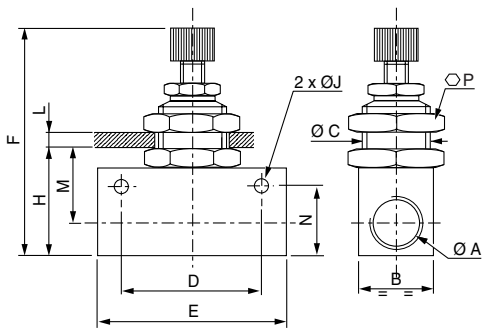


DIMENSIONS (mm), WEIGHT (kg)



M5 to G1/2

G3/4



catalogue number	Ø A	B	Ø C	D	E	F min.	F max.	H	Ø J	L max.	M	N	Ø P	weight
34602010	M5	12	M9 x 0,75	18	25	32	37	17	3,2	3	10	12	11	0,019
34602152	G 1/8	16	M12 x 0,75	24	34	49	56	24	4,5	6	16	16	15	0,060
34602153	G 1/4	25	M18 x 1,5	35	50	67	75	35	6,5	7,5	23	25	22	0,140
34602154	G 3/8	25	M18 x 1,5	40	58	67	75	35	6,5	7,5	23	25	22	0,245
34602155	G 1/2	30	M22 x 1,5	50	65	80	92	46	6,5	10	29	33	26	0,360
34600156	G 3/4	39	M37 x 2	70	110	119	132	58	6,5	15,5	28	51	-	0,550

① Knurled nut



ACCESSORIES

flow controllers
banjo flow regulators
(adaptable on cylinder)



Series
346

FEATURES

- Banjo connection for direct fitting to cylinder port for simple, compact installation
- Version (B) with a recessed adjustment screw is an even more compact design. It offers the additional advantage of preventing inadvertent loss of flow adjustment. Can be locked with a spot of varnish

GENERAL

Operating pressure 1 to 10 bar
Ambient temperature range 0°C to +70°C

fluids (*)	temperature range (TS)	seal materials (*)
air, inert gas, filtered, lubricated or not	0°C to +70°C	NBR (nitrile)

MATERIALS IN CONTACT WITH FLUID

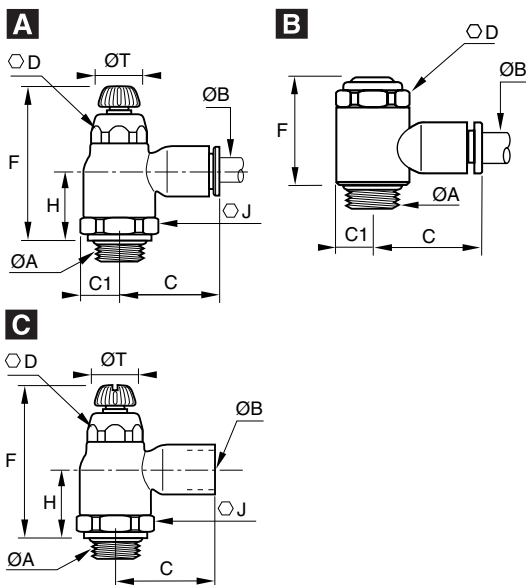
(*) Ensure that the compatibility of the fluids in contact with the materials is verified
Body Polymer (A and B versions) or brass (version C)
Screw, lock-nut, subbase Brass
Seals NBR

SPECIFICATIONS

pipe size	Ø connection by instant fittings	catalogue number	pipe size	Ø connection threaded	catalogue number
A Plastic body, adjustable by button/screw			C Metal body, threaded outlet, adjustable by button/screw		
Ø M5	Ø 4 mm ext.	34602188	G 1/8	G 1/8	34602181
G 1/8	Ø 4 mm ext.	34602221	G 1/4	G 1/4	34602182
G 1/8	Ø 6 mm ext.	34602222	G 3/8	G 3/8	34602183
G 1/4	Ø 6 mm ext.	34602223			
G 1/4	Ø 8 mm ext.	34602224			
G 3/8	Ø 10 mm ext.	34602021			
G 1/2	Ø 12 mm ext.	34602022			
B Plastic body, adjustable by recessed screw					
Ø M5	Ø 4 mm ext.	34602016			
G 1/8	Ø 4 mm ext.	34602017			
G 1/8	Ø 6 mm ext.	34602018			
G 1/4	Ø 6 mm ext.	34602019			
G 1/4	Ø 8 mm ext.	34602020			



DIMENSIONS (mm), WEIGHT (kg)



CODES	ØA	ØB	C	C1	D	F min.	F max.	H	J	ØT	Weight
A Plastic body, instant fitting outlet, adjustable by button/screw											
34602188	M 5	4	17	4,5	6	23,5	26	-	-	-	0,008
34602221	G 1/8	4	22	9	10	38	44	16	16	10	0,021
34602222	G 1/8	6	22	9	10	38	44	16	16	10	0,021
34602223	G 1/4	6	22	9	10	36,5	42,5	15	16	10	0,021
34602224	G 1/4	8	28	10,5	14	41,5	48	18,5	19	12	0,037
34602021	G 3/8	10	32	12,5	17	45,5	54	20	23	17	0,059
34602022	G 1/2	12	35	13	17	45,5	54	20	24	17	0,065
B Plastic body, instant fitting outlet, adjustable by recessed screw											
34602016	M 5	4	19	5	8	17,5	19	-	-	-	0,007
34602017	G 1/8	4	19	7	13	25	26	-	-	-	0,017
34602018	G 1/8	6	21	7	13	25	26	-	-	-	0,019
34602019	G 1/4	6	22	9,5	17	26,5	28	-	-	-	0,034
34602020	G 1/4	8	27	9,5	17	26,5	28	-	-	-	0,035
C Metal body, threaded outlet, adjustable by button/screw											
34602181	G 1/8	G1/8	22,5	-	10	47	52,5	23	19	-	0,076
34602182	G 1/4	G1/4	32	-	14	50,5	55,5	25	19	-	0,107
34602183	G 3/8	G3/8	34,5	-	17	56	62	27	25	-	0,212

All leaflets are available on: www.asco.com

PIC-14-20



SCATTERGOOD & JOHNSON LTD

ELECTRICAL ENGINEERING & FLUID CONTROL DISTRIBUTORS

Est.1899

At Scattergood & Johnson Ltd, we pride ourselves on being a technical distributor to specialist industries.

Working with a range of quality product suppliers across a number of specialist markets, we are not your average 'box shifter' - we are your technical and supply chain partner.

We fully support every product we sell - for free! Our internal team and external sales engineers can answer any product or application question, no matter the complexity.

Backing up this technical ability is a range of 50,000+ products available from stock for nationwide next day delivery (same day if required!), or you can collect what you need from any of our trade counters around the UK.

Select your specialist interest below to learn more about how we can help.



Online, In Branch and On the Road - Scattergood & Johnson Ltd, there when you need us.

www.scatts.co.uk