

**SPOOL VALVES**

air operated

**JOUCOMATIC**

G1/8 or instant fittings for flexible tube Ø 6 mm OD

**5/2**

Series

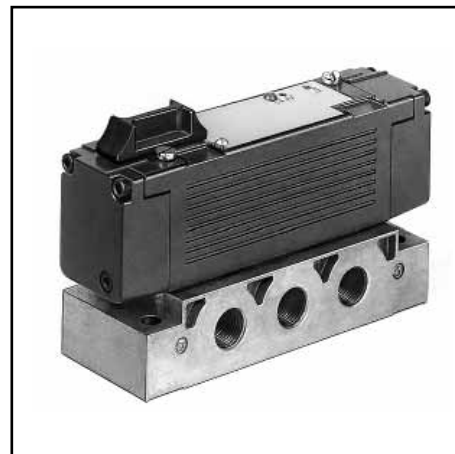
**540** Ø 4**GENERAL**

FLUID	: Air or neutral gas, filtered lubricated or not
PORTS	: subbase G 1/8 or flexible tube Ø 6 OD
PRESSURE	: 0 to 12 bar
PILOT PRESSURE	: see table below
TEMPERATURE	: - 10 °C to + 60 °C
FLOW (Qv at 6 bar)	: 280 l/min (ANR) - Kv : 4

**CONSTRUCTION**

Body and end covers zinc diecasting  
 Sealing nitrile (NRB)  
 Internal parts : acetal, light alloy, zinc diecasting

1	: Pressure
2,4	: Outlets
3,5	: Exhausts
12	: Return
14	: Pilot

**SPECIFICATIONS**

Symbol Fonction	Operators		Pipe size	Orifice size (mm)	Flow		Pilot pressure (bar)		catalogue number
	Pilot (14)	Return (12)			at 6 bar l/min (ANR)	coef. KV	min.	max.	
	Air	Spring	G 1/8	4	280	4	2,5	12	<b>54000048</b>
	Air	Differential	G 1/8	4	280	4	4	12	<b>54000049</b>
	Air	Air	G 1/8	4	280	4	2	12	<b>54000050</b>

**SUBBASES**

DESCRIPTION	port connection		Pipe size	catalogue number
	Type			
Single subbase (1)	subbase	Side ports	G 1/8	<b>35500049</b>
	subbase	Side ports with rotatable fittings	For flexible tube Ø 6 mm OD	<b>35900022</b>
Joinable subbases (2) with bottom ports	subbase	Bottom ports ports 2-4-12-14 (port. 1-3-5 : side ports G 1/4)	G 1/8	<b>35500052</b>
	<b>End</b> subbase	Bottom ports	G 1/8	<b>35500051</b>
Joinable subbases (2) with side ports	subbase	Side ports (ports 1-3-5 : G 1/4)	G 1/8	<b>35500106</b>
	<b>End</b> subbase	Side ports	G 1/8	<b>35500107</b>
	Mounting set of 2 plates for joinable subbases with side ports			<b>88135505</b>

(1) Subbase can be mounted on EN 50022 - rail using 2 clips (clips catalogue number **33400043** (10).

(2) An assembly of "n" valves on a manifold requires "n-1" joinable subbase plug one **end** (blanking function).

# JOUCOMATIC

# SPOOL VALVES - SERIES 540 Ø 4

## DIMENSIONS AND WEIGHTS

VALVE ON **SINGLE** SUBBASE G 1/8

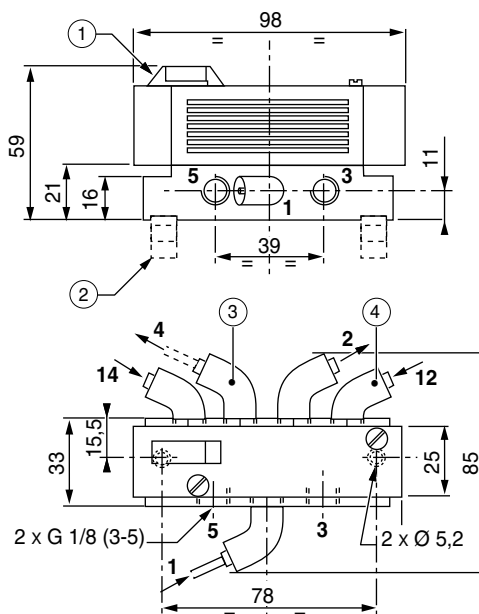
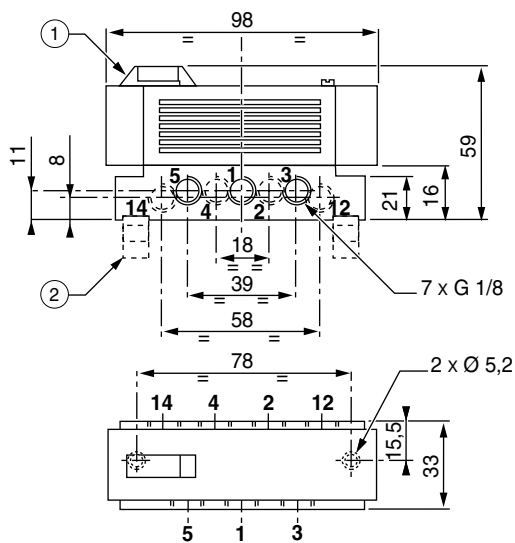
Subbase : cat.no. **35500049**

Weight : 0,480 kg

VALVE ON A **SINGLE** SUBBASE FOR INSTANT FITTINGS

Subbase : cat.no. **35900022**

Weight : 0,480 kg



VALVE ON **JOINABLE** SUBBASE

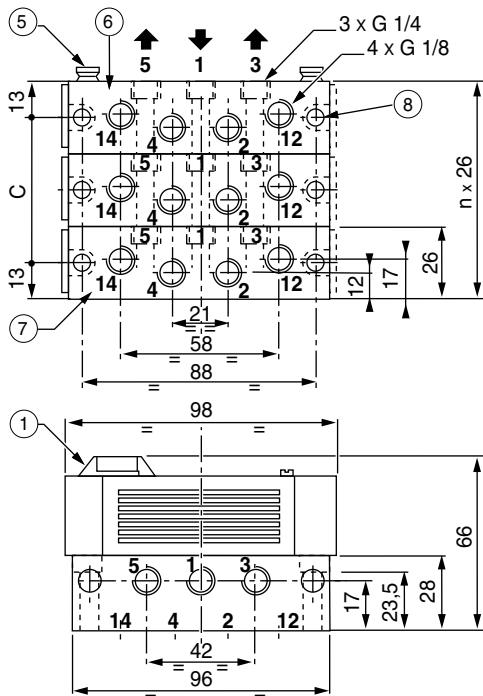
BOTTOM PORTS G 1/8 : **35500051 - 35500052**

Weight valve on subbase : 0,480 kg. Each

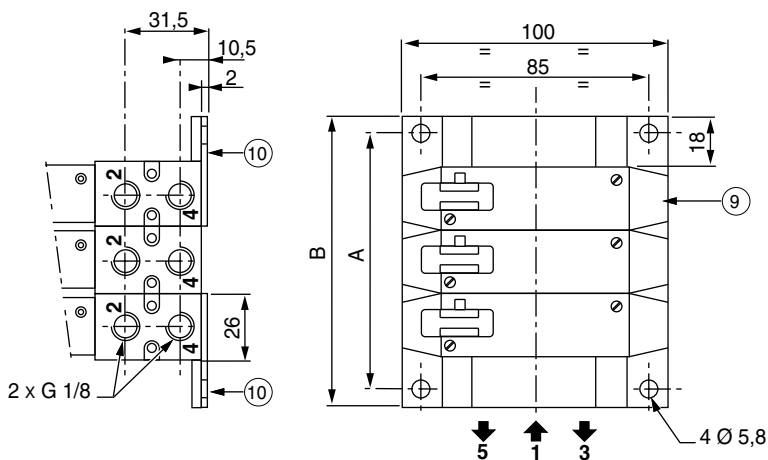
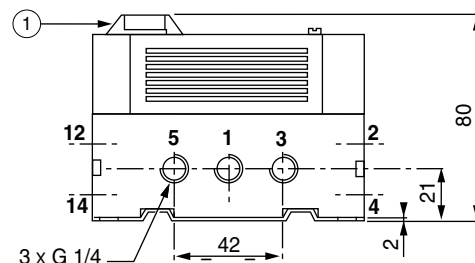
VALVE ON **JOINABLE** SUBBASE

SIDE PORTS G 1/8 : **35500106 - 35500107**

Weight valve on subbase : 0,600 kg. Each



Nb	A	B	C
2	72	87	26
3	98	113	52
4	124	139	78
5	150	165	104
6	176	191	130
7	202	217	156
8	228	243	182



- ① Manual override and position indicator
- ② 2 mounting clips for rail EN 50022
- ③ 3 instant fittings for flexible tube Ø 6 mm OD (1-2-4)
- ④ 2 instant fittings for flexible tube Ø 4 mm OD (12-14)
- ⑤ Joining units
- ⑥ Joinable subbase cat.no.: **35500052**

- ⑦ End subbase (blanking function) cat.no.: **35500051**
- ⑧ Mounting 2 holes Ø 4,5 depth 23,5
- ⑨ End subbase (blanking function) cat.no.: **35500107**
- ⑩ Plates of mounting
- n : number of subbases

All leaflets are available on: [www.asconumatics.eu](http://www.asconumatics.eu)



# SCATTERGOOD & JOHNSON LTD

ELECTRICAL ENGINEERING & FLUID CONTROL DISTRIBUTORS

Est.1899

At Scattergood & Johnson Ltd, we pride ourselves on being a technical distributor to specialist industries.

Working with a range of quality product suppliers across a number of specialist markets, we are not your average 'box shifter' - we are your technical and supply chain partner.

We fully support every product we sell - for free! Our internal team and external sales engineers can answer any product or application question, no matter the complexity.

Backing up this technical ability is a range of 50,000+ products available from stock for nationwide next day delivery (same day if required!), or you can collect what you need from any of our trade counters around the UK.

Select your specialist interest below to learn more about how we can help.



Online, In Branch and On the Road - Scattergood & Johnson Ltd, there when you need us.

# [www.scatts.co.uk](http://www.scatts.co.uk)