



MULTIFUNCTION SPOOL VALVES

air operated

ISO 5599/1 subbase mounted body

5/2-5/3
Series
541-542-543
Type
ISO sizes 1-2-3

FEATURES

- Reliability: long service life of 30 million cycles
- Choice of internal/external supply with selector seals (vacuum use to -0,950 bar)
- Modular assembly with joinable subbases
- Subbases with side or bottom ports

GENERAL

| | | | |
|---------------------------|--|---|--|
| | ISO 1 | ISO 2 | ISO 3 |
| Fluid | Air or neutral gas, filtered, lubricated or not | | |
| Operating pressure | -0,950 to +12 bar | | |
| | +3 to +10 bar (with internal differential supply) Can be used with vacuum -0,950 bar max. | | |
| Pilot pressure | See specifications table | | |
| Ambient temperature | -10°C to +60°C | | |
| Flow (Qv at 6 bar) | 1400 l/min (ANR) | 2800 l/min (ANR) | 4200 l/min (ANR) |
| Flow coefficients | | | |
| - conforming to ISO 6358 | | | |
| sonic conductance | C = 5,8 x 10 ⁻⁸ m ³ /s.Pa | C = 1,136 x 10 ⁻⁷ m ³ /s.Pa | C = 16 x 10 ⁻⁸ m ³ /s.Pa |
| absolute static pressure | b = 0,28 | b = 0,22 | b = 0,34 |
| - conforming to NF E29312 | | | |
| (l/min) | Kv = 20 | Kv = 37,5 | Kv = 60 |
| Life | 30 millions of cycles | | 15 millions of cycles |
| Base | ISO 5599/1 sizes 1-2-3 - AFNOR NF E49080 | | |
| Subbase | Single subbase ISO/AFNOR NF E49085 | | |
| | Joinable subbase ISO/VDMA 24345 | | |
| | Joinable subbase with integrated functions | | |



CONSTRUCTION

| | |
|---------------------------|--------------------------------------|
| Cover | Painted steel |
| Pilot and return assembly | POM (polyacetal) |
| Seals | NBR (nitrile) and PUR (polyurethane) |
| Internal parts | POM (polyacetal), light alloy |

SPECIFICATIONS

| function symbol | operators | | size | pilot pressure (bar) | | catalogue number |
|-----------------|---|--------------|-------------------------|----------------------|------|----------------------------------|
| | pilot (14) | return (12) | | min. | max. | |
| | air operated | spring | ISO 1 ISO 2 ISO 3 | 3 | 12 | 54101017 54202017 54301017 |
| | air operated | differential | ISO 1 ISO 2 ISO 3 | 3 | 12 | 54101018 54202018 54301018 |
| | air operated | air | ISO 1 ISO 2 ISO 3 | 1,5 | 12 | 54101019 54202019 54301019 |
| | air operated pressure held W1 | | ISO 1 ISO 2 ISO 3 | 3 | 12 | 54101020 54202020 54301020 |
| | air operated pressure applied W2 | | ISO 1 ISO 2 ISO 3 | 3 | 12 | 54101022 54202022 54301022 |
| | air operated pressure release W3 | | ISO 1 ISO 2 ISO 3 | 3 | 12 | 54101021 54202021 54301021 |

OPTIONS

- Equipment with manual testers so that the spool position can be checked
- Equipment for use in potentially **explosive atmospheres** caused by dusts or gases (ATEX Directive 2014/34/EU)

| zones | classification | ATEX option catalogue number | | |
|-------|--------------------------------|------------------------------|--------|--------|
| | | ISO 1 | ISO 2 | ISO 3 |
| 2-22 | II 3GD c T 60°C T 85°C (T6) | 612027 | - | 612029 |
| 1-21 | II 2GD c IIC T 60°C T85°C (T6) | 612030 | 612090 | 612032 |

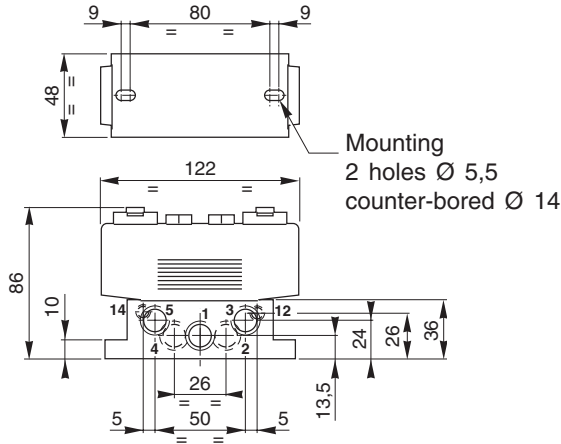
SUBBASES AND ACCESSORIES

All leaflets are available on: www.asco.com

Air Operated (5/2 - 5/3) - 27

DIMENSIONS (mm), WEIGHT (kg)

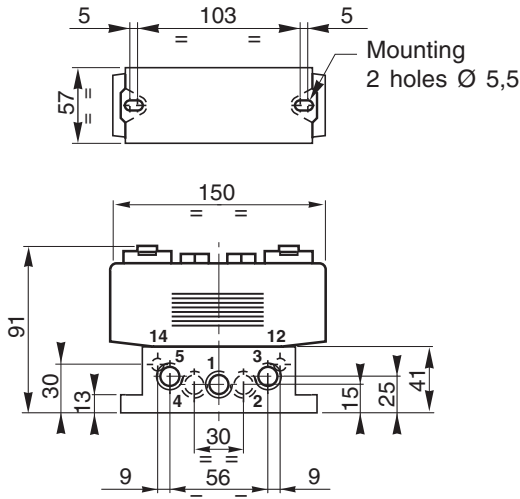
VALVES ON SINGLE SUBBASES
Side port - ISO 1



| subbase catalogue number | port orifices | | |
|--------------------------|---------------|-------|-------|
| | 12-14 | 1-2-4 | 3-5 |
| 35500076 | G 1/8 | G 1/4 | G 1/4 |
| 35500061 | | | G 3/8 |
| 35500382 | | G 3/8 | G 3/8 |

Total weight : 0,880

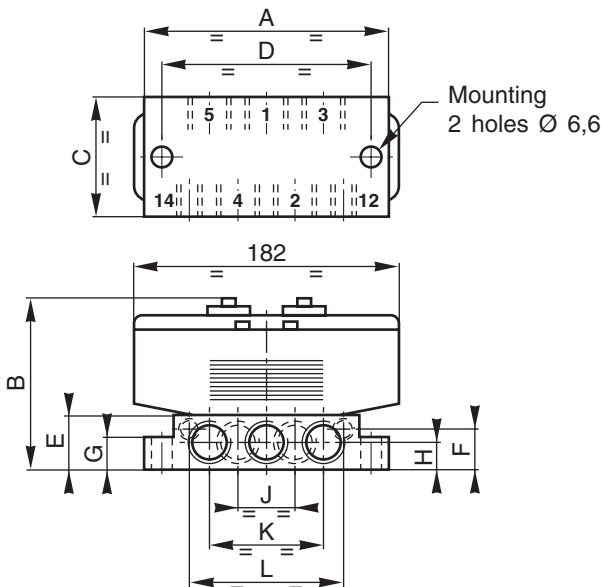
VALVES ON SINGLE SUBBASES
Side port - ISO 2



| subbase catalogue number | port orifices | | |
|--------------------------|---------------|-------|-------|
| | 12-14 | 1-2-4 | 3-5 |
| 35500560 | G 1/8 | G 3/8 | G 3/8 |
| 35500562 | | G 1/2 | G 1/2 |

Total weight : 1,200

VALVES ON SINGLE SUBBASES
Side port - ISO 3



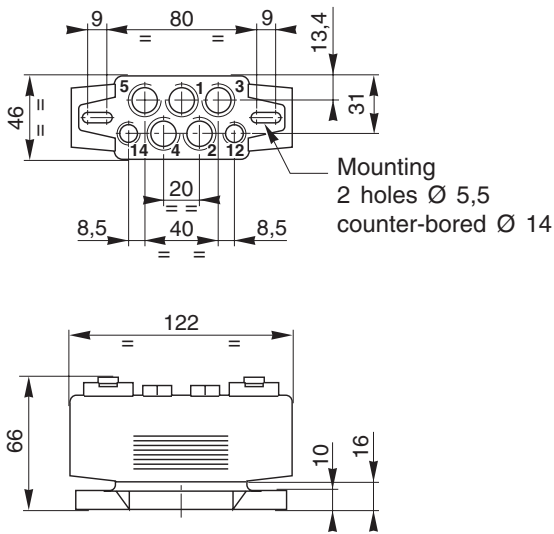
| subbase catalogue number | port orifices | | |
|--------------------------|---------------|-------|-------|
| | 12-14 | 1-2-4 | 3-5 |
| 35500171 | G 1/8 | G 1/2 | G 1/2 |
| 35500192 | | G 3/4 | G 3/4 |

Total weight : 1,400

| dimension | subbase | |
|-----------|---------|-------|
| | G 1/2 | G 3/4 |
| A | 149 | 149 |
| B | 99 | 117 |
| C | 71 | 71 |
| D | 136 | 136 |
| E | 32 | 50 |
| F | 22 | 40 |
| G | 18 | 18 |
| H | 17 | 20 |
| J | 32 | 36 |
| K | 68 | 80 |
| L | 90 | 92 |

DIMENSIONS (mm), WEIGHT (kg)

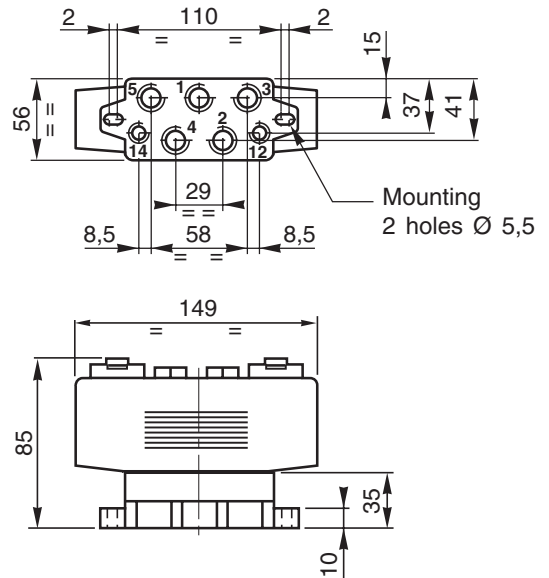
VALVES ON SINGLE SUBBASES
Bottom port - ISO 1



| subbase catalogue number | port orifices | | |
|--------------------------|------------------|--------|-------|
| | 12-14 | 1-2-4 | 3-5 |
| 35500077 | G 1/8 | G 1/4 | G 1/4 |
| 35500069 | instant fittings | | G 1/4 |
| | Ø 4 OD | Ø 8 OD | |

Total weight : 0,500

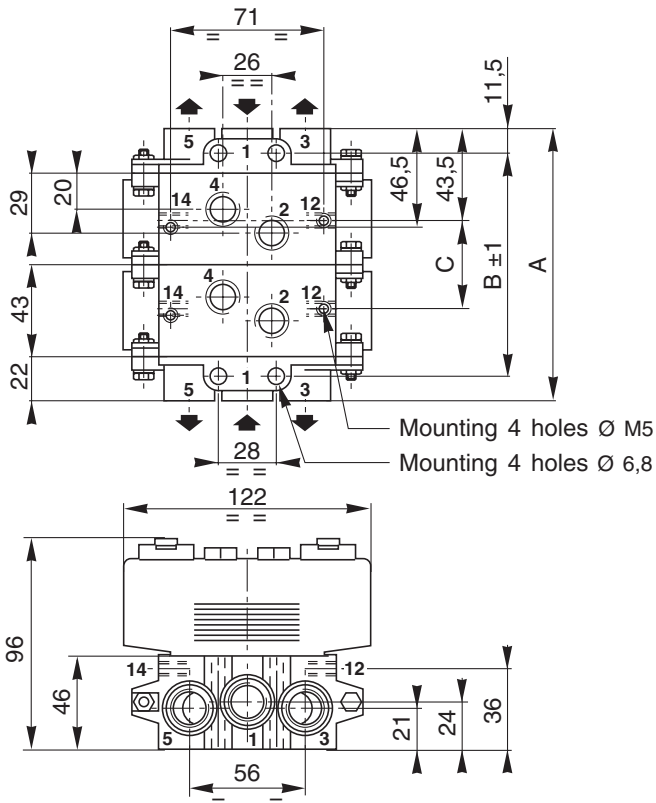
VALVES ON SINGLE SUBBASES
Bottom port - ISO 2



| subbase catalogue number | port orifices | | |
|--------------------------|---------------|-------|-------|
| | 12-14 | 1-2-4 | 3-5 |
| 35500085 | G 1/8 | G 3/8 | G 3/8 |

Total weight : 1,150

SPOOL VALVES ON METALLIC JOINABLE SUBBASES
Bottom port - ISO 1



| | catalogue number | port orifices | | |
|--------------|------------------|---------------|-------|-------|
| | | 12-14 | 2-4 | 1-3-5 |
| subbase | 35500165 | G 1/8 | G 1/4 | - |
| 2 end plates | 35500166 | - | - | G 3/8 |

Set of end plates supplied with 3 plugs G 3/8 (for 1-3-5)

| number of subbases | A | B±1 | C | weight |
|--------------------|-----|-----|-----|--------|
| 3 | 173 | 150 | 86 | 2,150 |
| 4 | 216 | 193 | 129 | 2,800 |
| 5 | 259 | 236 | 172 | 3,450 |
| 6 | 302 | 279 | 215 | 4,100 |
| 7 | 345 | 322 | 258 | 4,750 |
| 8 | 388 | 365 | 301 | 5,400 |

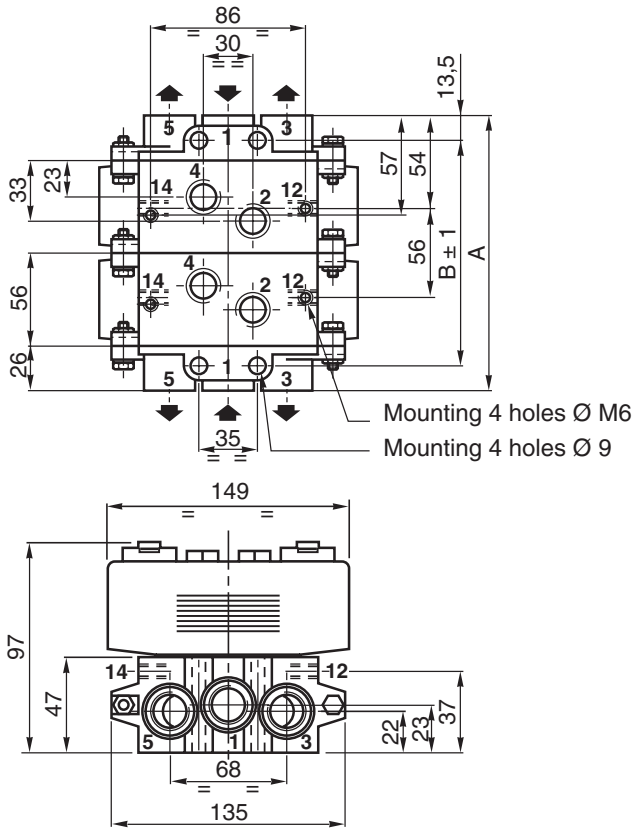
Weight : spool valves + subbases + end plates

00391GB-2017/R01
Availability, design and specifications are subject to change without notice. All rights reserved.

DIMENSIONS (mm), WEIGHT (kg)

SPOOL VALVES ON METALLIC JOINABLE SUBBASES

Bottom port - ISO 2



| | catalogue number | port orifices | | |
|--------------|------------------|---------------|-------|-------|
| | | 12-14 | 2-4 | 1-3-5 |
| subbase | 35500169 | G 1/8 | G 3/8 | - |
| 2 end plates | 35500170 | - | - | G 1/2 |

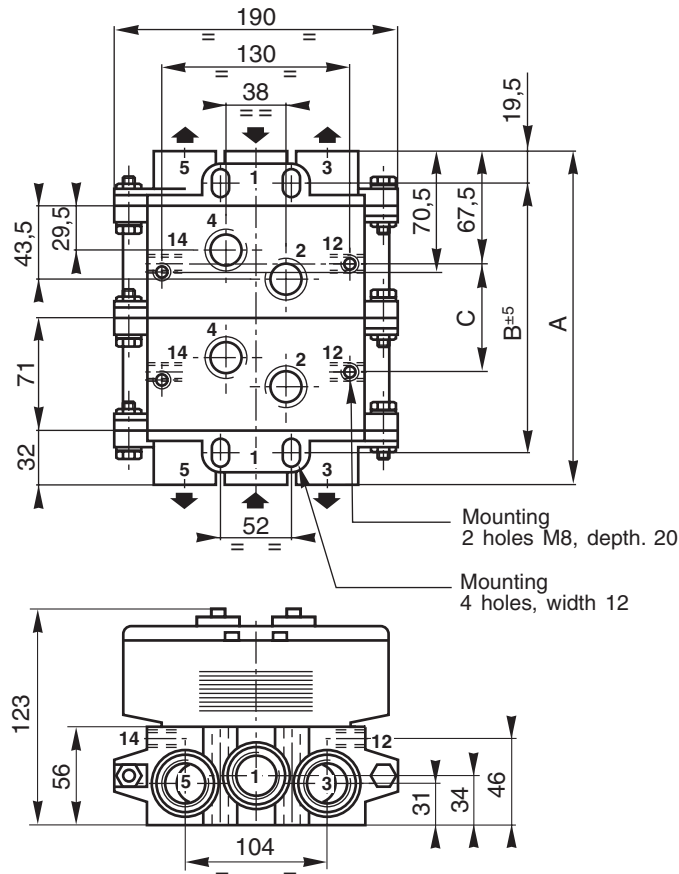
Set of end plates supplied with 3 plugs G 1/2 (for 1-3-5)

| number of subbases | A | B±1 | weight |
|--------------------|-----|-----|--------|
| 3 | 220 | 193 | 4,500 |
| 4 | 276 | 249 | 6,100 |
| 5 | 332 | 305 | 7,700 |
| 6 | 388 | 361 | 9,300 |
| 7 | 444 | 417 | 9,900 |
| 8 | 500 | 473 | 10,500 |

Weight : spool valves + subbases + end plates

SPOOL VALVES ON METALLIC JOINABLE SUBBASES

Bottom port - ISO 3



| | catalogue number | port orifices | | |
|--------------|------------------|---------------|-------|-------|
| | | 12-14 | 2-4 | 1-3-5 |
| subbase | 35500173 | G 1/8 | G 1/2 | - |
| 2 end plates | 35500174 | - | - | G 1 |

Set of end plates supplied with 3 plugs G 1 (for 1-3-5)

| number of subbases | A | B±1 | C | weight |
|--------------------|-----|-----|-----|--------|
| 2 | 206 | 167 | 71 | 3,900 |
| 3 | 277 | 238 | 142 | 5,500 |
| 4 | 348 | 309 | 213 | 7,100 |
| 5 | 419 | 380 | 284 | 8,700 |
| 6 | 490 | 451 | 355 | 10,300 |
| 7 | 561 | 522 | 426 | 11,900 |

Weight : spool valves + subbases + end plates



SCATTERGOOD & JOHNSON LTD

ELECTRICAL ENGINEERING & FLUID CONTROL DISTRIBUTORS

Est.1899

At Scattergood & Johnson Ltd, we pride ourselves on being a technical distributor to specialist industries.

Working with a range of quality product suppliers across a number of specialist markets, we are not your average 'box shifter' - we are your technical and supply chain partner.

We fully support every product we sell - for free! Our internal team and external sales engineers can answer any product or application question, no matter the complexity.

Backing up this technical ability is a range of 50,000+ products available from stock for nationwide next day delivery (same day if required!), or you can collect what you need from any of our trade counters around the UK.

Select your specialist interest below to learn more about how we can help.



Online, In Branch and On the Road - Scattergood & Johnson Ltd, there when you need us.

www.scatts.co.uk