



COMPACT SPOOL VALVES

solenoid air operated
G1/4-G3/8 - ISO 5599/1
subbase-mounted body

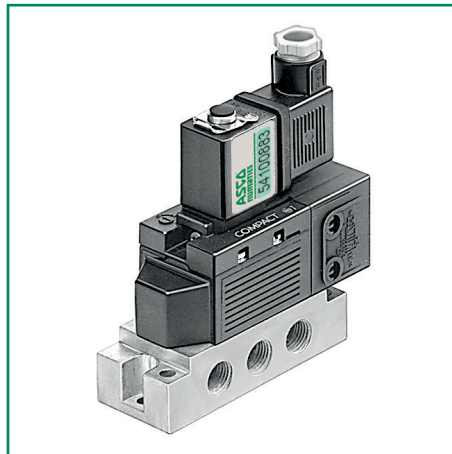
5/2
Series
541
Type
ISO size 1

FEATURES

- Modular assembly with joinable subbases
- Subbases with side or bottom ports
- Version with manual spool position testers

GENERAL

Fluid	Air or neutral gas, filtered, lubricated or not
Operating pressure	3 to 10 bar
Ambient temperature	-10°C to +60°C
Flow (Qv at 6 bar)	1050 l/min (ANR)
Flow coefficient	Kv = 15
Life	15 millions of cycles (in normal operating conditions)
Base	ISO 5599/01- Size 1
Subbase	Single subbase ISO/AFNOR NF E49085 Joinable subbase ISO/VDMA 24345 Joinable subbase with integrated functions



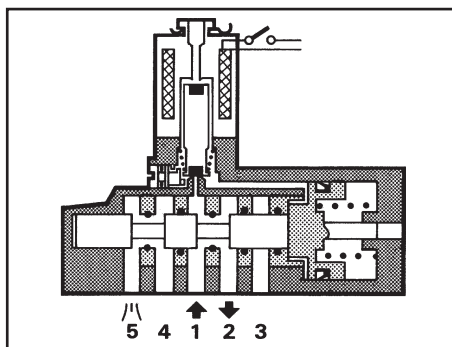
CONSTRUCTION

SPOOL VALVE

Body and cover	PA + FG (glass filled polyamide 6/6)
Internal parts	POM (polyacetal), light alloy and brass
Seals	NBR (nitrile) and PUR (polyurethane)

BUILT-IN SOLENOID PILOT

Seals	NBR (nitrile) and PUR (polyurethane)
Electrical devices	Conforming to standard NF-C79300
Coil and iron circuit	Encapsulated monobloc, rotatable x 360°
Exhaust	M5 ports tapped, with exhaust plug
Manual operator	Maintained



ELECTRICAL CHARACTERISTICS

type of coil	voltage		consumption		insulation class	protection degree	electrical connection
	~	=	inrush	hold			
standard size 22	~	24V-48V-115V-230V-50Hz	6VA	3,5VA (2,5W)	F	IP 65	spade plug size 22 connector DIN 43650, 11 mm, industry standard B
	=	24V-48V	2,5W				

SPECIFICATIONS

symbol	operators		response time (ms)		catalogue number		manual operator
	pilot (14)	return (12)	energized	de-energized	with connector	without connector	
	solenoid air operated	spring	18	70	54100883	54100884*	maintained

* Option : connector with built-in visual indicator and electrical protection ()

SUBBASES

description	type	Ø	catalogue number
single subbase (ISO/AFNOR)	compact - side port	G 1/4	35500150
	bottom port	G 1/4	35500077
joinable subbase (ISO/VDMA)	bottom port	G 1/4	35500165
	1 set of 2 end plates (supply and exhaust side ports)	G 3/8	35500166

Other subbases:

00300GB-2017/R01
Availability, design and specifications are subject to change without notice. All rights reserved.



SCATTERGOOD & JOHNSON LTD

ELECTRICAL ENGINEERING & FLUID CONTROL DISTRIBUTORS

Est.1899

At Scattergood & Johnson Ltd, we pride ourselves on being a technical distributor to specialist industries.

Working with a range of quality product suppliers across a number of specialist markets, we are not your average 'box shifter' - we are your technical and supply chain partner.

We fully support every product we sell - for free! Our internal team and external sales engineers can answer any product or application question, no matter the complexity.

Backing up this technical ability is a range of 50,000+ products available from stock for nationwide next day delivery (same day if required!), or you can collect what you need from any of our trade counters around the UK.

Select your specialist interest below to learn more about how we can help.



Online, In Branch and On the Road - Scattergood & Johnson Ltd, there when you need us.

www.scatts.co.uk