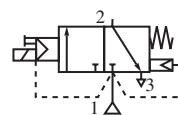




MINI SPOOL VALVES

solenoid air operated
 plastic body
 individual mounting or joinable subbase
 G1/8 tapped body or 6 mm O.D instant fittings



3/2
 Series
520

GENERAL

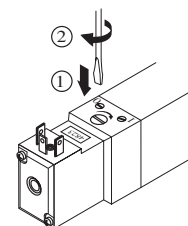
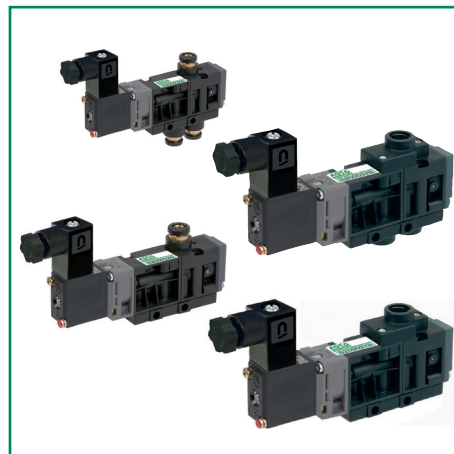
Fluid	Air or neutral gaz, filtered, lubricated or not
Operating pressure	1,5 to 8 bar
Ambient temperature	+5°C to +50°C
Flow (Qv at 6 bar)	400 l/min (ANR) - Kv : 5,7
Response time	energized 15 ms de-energized 45 ms
Connection	Instant fittings Ø 6 O.D. or G 1/4 subbases
Mounting	individual or joinable subbases

CONSTRUCTION

SPOOL VALVES	
Body	POM (polyacetal)
Cover	POM (polyacetal)
Internal parts	POM (polyacetal) and brass
Seals	NBR (nitrile)
Manual operator	Maintained, impulse Latchable in hold position (push-turn)

PILOT

Seals	NBR (nitrile)
Electrical equipment	Conforming to NF C79300 standard
Coil and iron circuit	Encapsulated



ELECTRICAL CHARACTERISTICS

voltages		consumption	insulation class	protection degree	electrical connection
~	24V, 115V, 230V - 50/60Hz	2 VA (1,5 W)	F	IP 65	spade plug size 15 connector, DIN 43650, 9,4 mm, industry standard B, rotatable by 90°
=	24V	1,6 W			

SPECIFICATIONS

function symbol	operators solenoid air operated pilot (14) return (12)	connection		catalogue number			
		port 2	ports 1-3	24V ~	115V ~	230V ~	24V =
	differential return	instant fitting 6 mm O.D.	inst. fitting 6mm O.D.	52000214	52000215	52000216	52000213
			subbase mounted	52000210	52000211	52000212	52000209
		tapped G 1/8	tapped G 1/8	52000194	52000195	52000196	52000193
			subbase mounted	52000190	52000191	52000192	52000189

3/2 NO version (operating pressure 2,5 to 8 bar) : on request


ACCESSORIES

visual indicator (LED) and electrical protection ()	24V =/~	88130401
	115V ~	88130402
	230V ~	88130403
connector size 15 with cable, 2 m long		88143567
connector size 15 with built-in visual indication and protection, with cable outlet, 2 m long ()	24V =/~	88143580

SUBBASES

possible mounting on joinable subbases. Fixing screws and seals are supplied with subbases

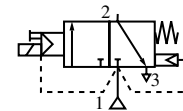
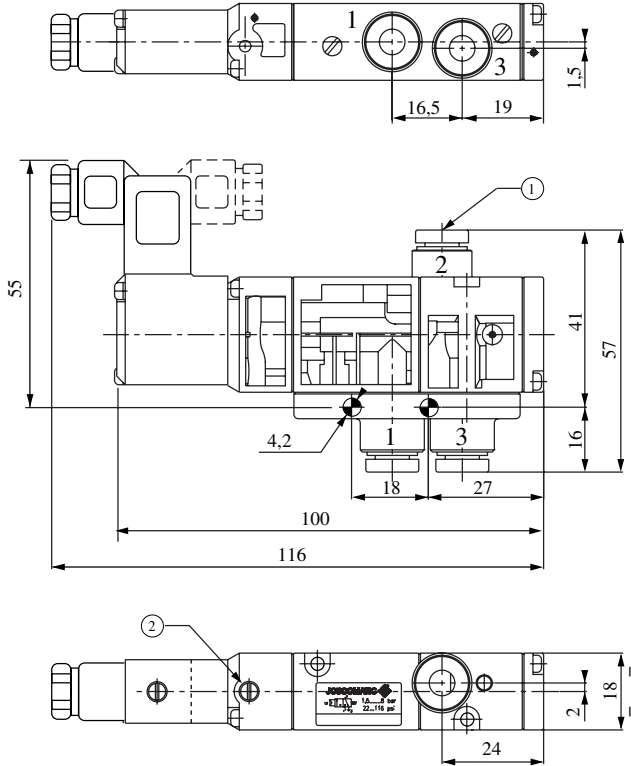
00438GB-2017/R01
 Availability, design and specifications are subject to change without notice. All rights reserved.

DIMENSIONS (mm), WEIGHT (kg) 

Individual mounting version

Connection with instant fitting

Weight : 0,102

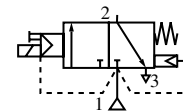
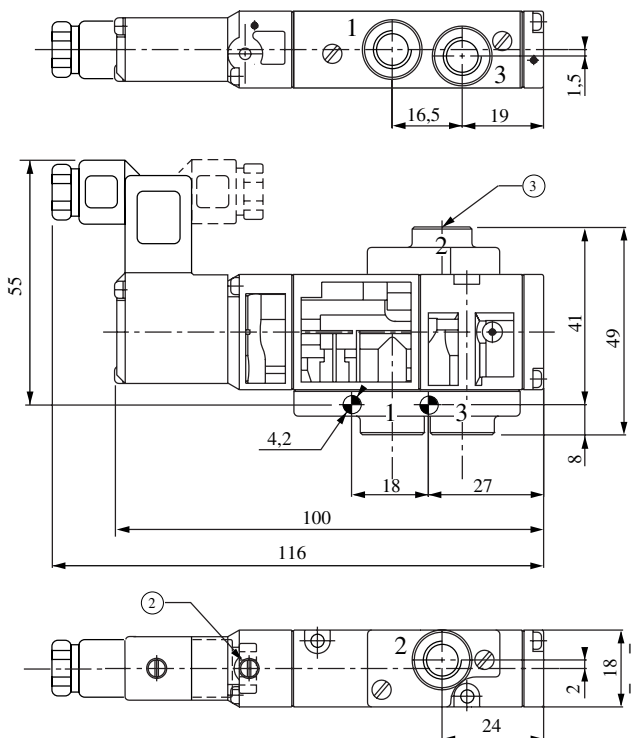


1 = Pressure
2 = Outlet
3 = Exhaust

- ① 3 instant fittings Ø6 mm O. D. tube
- ② Manual operator

Tapped G 1/8 connection

Weight : 0,094



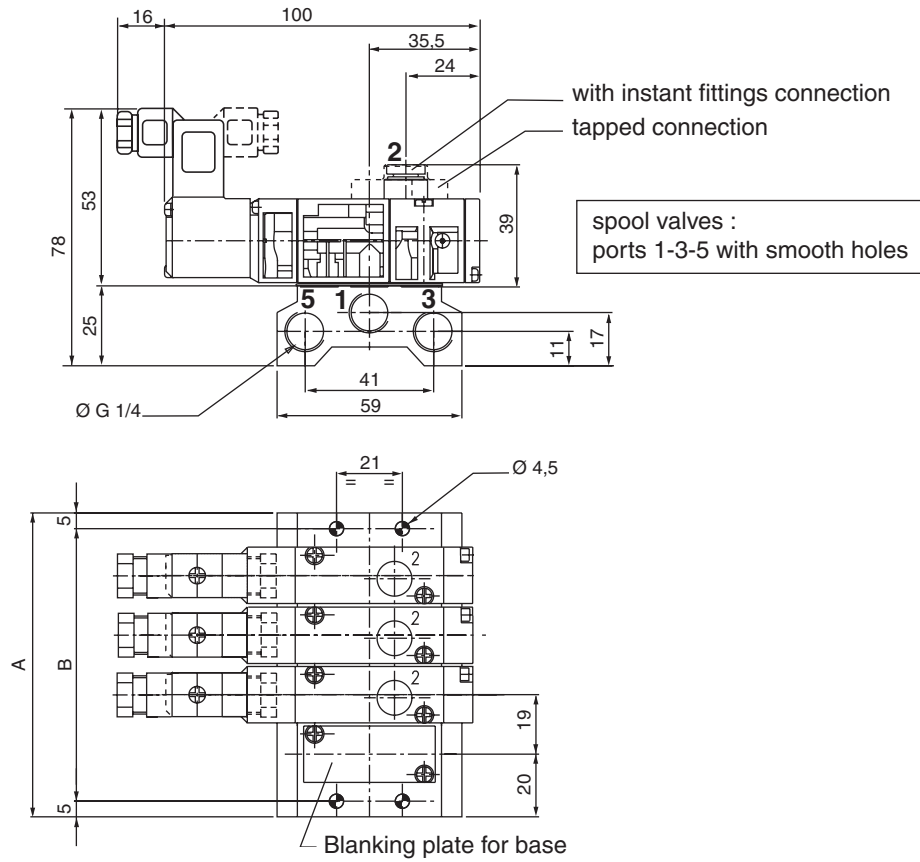
1 = Pressure
2 = Outlet
3 = Exhaust

- ② Manual operator
- ③ 3 x ports tapped G 1/8

DIMENSIONS (mm), WEIGHT (kg)

Subbase mounted version

Weight, valve only : 0,086



number of spool valves	A	B	weight*
2	59	49	0,145
3	78	68	0,195
4	97	87	0,240
5	116	106	0,290
6	135	125	0,340
7	154	144	0,385
8	173	163	0,435
9	192	182	0,485
10	211	201	0,530

* subbases only



SCATTERGOOD & JOHNSON LTD

ELECTRICAL ENGINEERING & FLUID CONTROL DISTRIBUTORS

Est.1899

At Scattergood & Johnson Ltd, we pride ourselves on being a technical distributor to specialist industries.

Working with a range of quality product suppliers across a number of specialist markets, we are not your average 'box shifter' - we are your technical and supply chain partner.

We fully support every product we sell - for free! Our internal team and external sales engineers can answer any product or application question, no matter the complexity.

Backing up this technical ability is a range of 50,000+ products available from stock for nationwide next day delivery (same day if required!), or you can collect what you need from any of our trade counters around the UK.

Select your specialist interest below to learn more about how we can help.



Online, In Branch and On the Road - Scattergood & Johnson Ltd, there when you need us.

www.scatts.co.uk