

Series 543



# MULTIFUNCTION SPOOL VALVE

air operated

ISO 5599/01 - Size 3

# 5/2-5/3

ports / positions

## SPECIFICATIONS

FLUID	: Air or neutral gas, filtered, lubricated or not
PRESSURE	: Can be used with vacuum – 0.950 bar max. – 0.950 to +12 bar +3 to +12 bar (with internal spring differential)
PILOT PRESSURE	: See diagram below
AMBIENT TEMPERATURE	: – 10°C, +60°C
FLOW (Qv at 6.3 bar)	: 4200 l/min (ANR)
FLOW COEFFICIENTS	
- conforming to ISO 6358	: C = 16 x 10 <sup>-8</sup> m <sup>3</sup> /s.Pa (sonic conductance) b = 0.34 (absolute static pressure)
- conforming to NF E29312	: KV = 60 (l/min)
LIFE	: 15 millions of cycles (in normal operating conditions)
BASE	: ISO 5599/01 - Size 3
PORT	: By subbases G 1/2 - G 3/4
SUBBASES	: Single subbases ISO/AFNOR NF E49085 Joinable subbases ISO/VDMA 24345



1 = Pressure	12 = Return
2-4 = Outlets	14 = Pilot
3-5 = Exhausts	

## CONSTRUCTION

Steel metal cover painted  
 Pilot or return assembly : acetal (POM)  
 Sealing nitrile (NBR) and polyurethane (PUR)  
 Internal parts : acetal (POM), light alloy  
 Multifunction pilot by selector seal (see page P570-31)  
 Without or with manual testers checking the spool position

## CHOICE OF EQUIPMENT

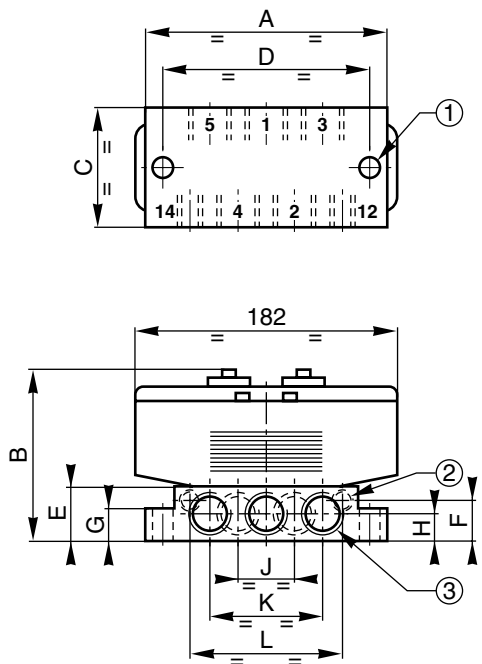
	FUNCTIONS	Pilot (14) Return (12)	Pressure of pilot fluid (in bar)		CODES	
			min.	max.	WITHOUT manual tester	WITH manual testers
<b>5/2</b>		Air operated - Spring return	3	12	<b>543 01 017</b>	<b>543 01 001</b>
		Air operated - Differential return	3	12	<b>543 01 018</b>	<b>543 01 002</b>
		Air operated - Air return	1,5	12	<b>543 01 019</b>	<b>543 01 003</b>
<b>5/3</b>		Pressure held <b>W1</b> Air operated	3	12	<b>543 01 020</b>	<b>543 01 004</b>
		Pressure applied <b>W2</b> Air operated	3	12	<b>543 01 022</b>	<b>543 01 013</b>
		Pressure release <b>W3</b> Air operated	3	12	<b>543 01 021</b>	<b>543 01 005</b>

SUBBASES AND ACCESSORIES ISO 3 : see page P570-34

# Series 543

## DIMENSIONS AND WEIGHTS

VALVE ON SINGLE SUBBASE WITH SIDE PORT (ISO/AFNOR)

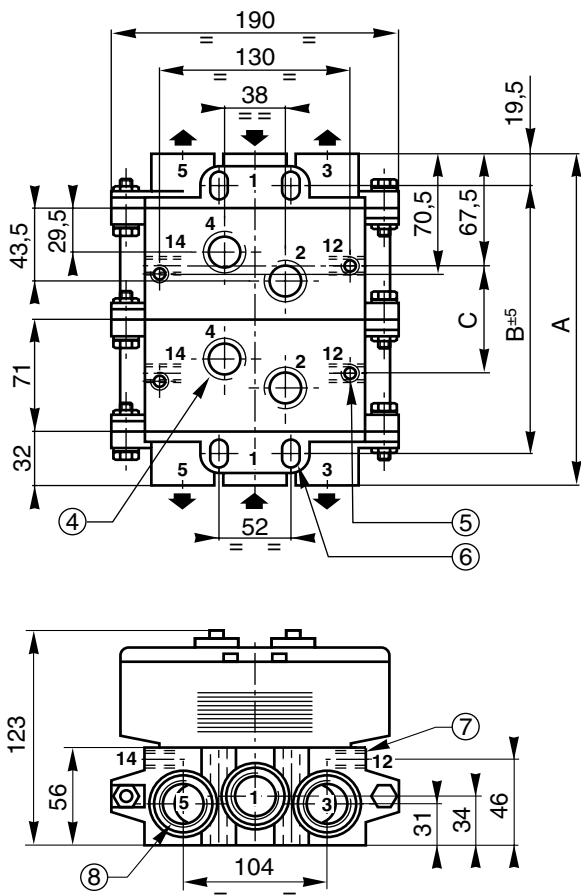


Dimensions	Subbases	
	G 1/2	G 3/4
A	149	149
B	99	117
C	71	71
D	136	136
E	32	50
F	22	40
G	18	18
H	17	20
J	32	36
K	68	80
L	90	92

- ① Mounting : 2 Ø 6.6
- ② 2 ports (12-14) : G 1/8
- ③ 5 ports (1-2-3-4-5) : G 1/2 or G 3/4

Weight of valve on single subbase :  
1.400 Kg

VALVES ON JOINABLE SUBBASES WITH BOTTOM PORT (ISO/VDMA)



Number of subbases	A	B ± 5	C	Weights (kg)
				Valves + subbases + end plates
2	206	167	71	3.900
3	277	238	142	5.500
4	348	309	213	7.100
5	419	380	284	8.700
6	490	451	355	10.300
7	561	522	426	11.900

Set of end plates supplied with 3 plugs G 1 (for 1-3-5)

- ④ 2 ports (4-2) : G 1/2
- ⑤ Bottom mounting : 2 Ø M8 depth 20
- ⑥ Front mounting : 4 holes Ø12
- ⑦ 2 ports (12-14) : G 1/8
- ⑧ 3 ports (1-3-5) : G 1



# SCATTERGOOD & JOHNSON LTD

ELECTRICAL ENGINEERING & FLUID CONTROL DISTRIBUTORS

Est.1899

At Scattergood & Johnson Ltd, we pride ourselves on being a technical distributor to specialist industries.

Working with a range of quality product suppliers across a number of specialist markets, we are not your average 'box shifter' - we are your technical and supply chain partner.

We fully support every product we sell - for free! Our internal team and external sales engineers can answer any product or application question, no matter the complexity.

Backing up this technical ability is a range of 50,000+ products available from stock for nationwide next day delivery (same day if required!), or you can collect what you need from any of our trade counters around the UK.

Select your specialist interest below to learn more about how we can help.



Online, In Branch and On the Road - Scattergood & Johnson Ltd, there when you need us.

# [www.scatts.co.uk](http://www.scatts.co.uk)