

### SPECIFICATIONS

FLUID	: air or neutral gas, filtered, lubricated (G 3/8) or not (G 1/4)
PORTS	: G 1/4 - G 3/8
PRESSURE	: 0 to 10 bar
TEMPERATURE	: -25°C to +60°C
FLOW (Qv at 6 bar)	: See table below

### CONSTRUCTION

#### series 551

Environmentally-protected construction  
Body G 1/4, treated aluminium  
Internal parts: zinc diecasting, steel, stainless steel, acetal (POM)  
Sealings: nitrile (NBR) and polyurethane (PUR)

#### series 552

Body G 3/8, in light alloy  
Internal parts: stainless steel, light alloy  
Sealings: nitrile (NBR)



1 = Pressure
2,4 = Outlets
3,5 = Exhausts

### CHOICE OF EQUIPMENT

[Configurator - CAD Files](#)

	Symbols functions	Operators	Ø ports	Flow at 6 bar l/min (ANR)	CODES
5/3 closed position (W1)		Lever 3 positions detented (W1)	G 1/4	760	<b>55102096</b>
			G 3/8	1610	<b>55200038</b>
		Lever 3 positions spring to centre (W1)	G 1/4	760	<b>55102097</b>
			G 3/8	1610	<b>55200039</b>
5/3 open position to exhaust (W3)		Lever 3 positions detented (W3)	G 1/4	760	<b>55102098</b>
		Lever 3 positions spring to centre (W3)	G 1/4	760	<b>55102099</b>

00405GB-2016/R01  
Availability, design and specifications are subject to change without notice. All rights reserved.

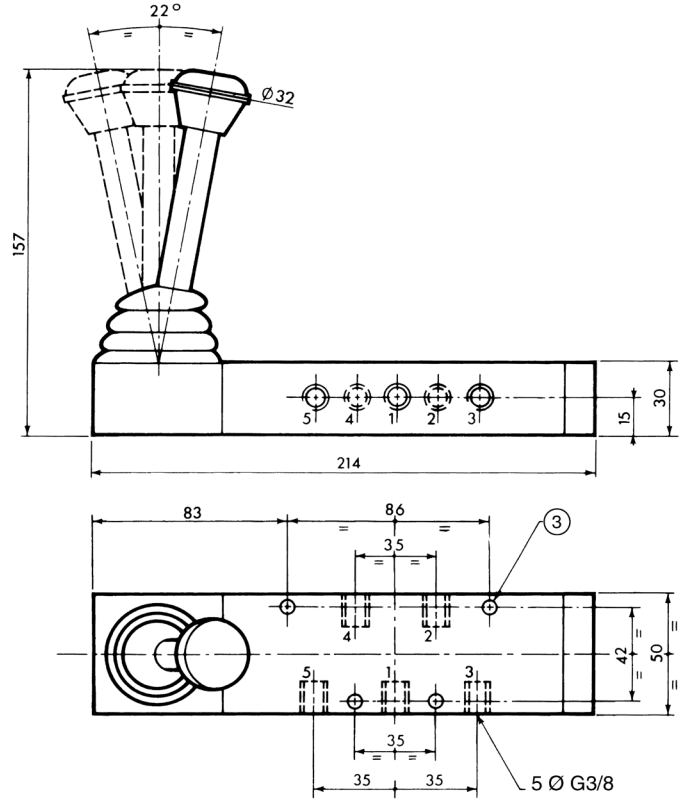
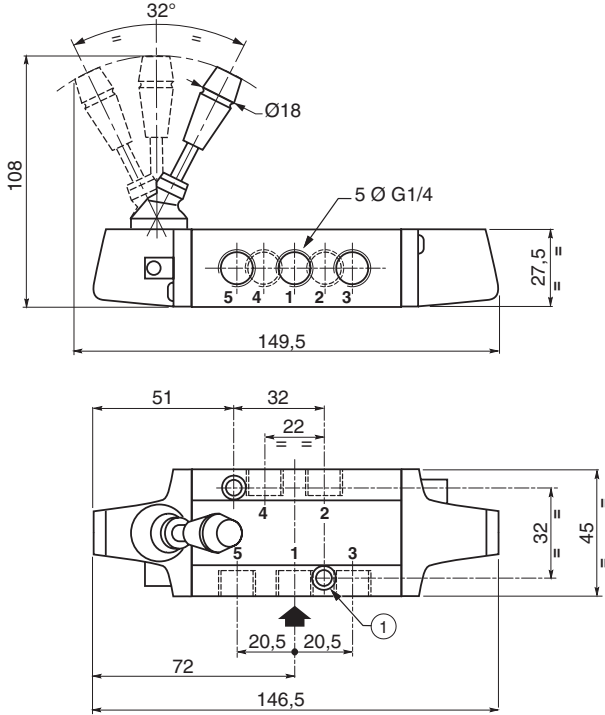
**DIMENSIONS AND WEIGHTS**

VALVE LEVER OPERATED

[Configurator - CAD Files](#)

**Series 551:** ports G 1/4  
Weight: 0,510 kg

**Series 552 :** ports G 3/8  
Weight: 0,900 kg



- ① 2 fixing holes: Ø 5,3 - counterbore : Ø 9, dept 5
- ② 4 fixing holes: Ø 5,5



# SCATTERGOOD & JOHNSON LTD

ELECTRICAL ENGINEERING & FLUID CONTROL DISTRIBUTORS

Est.1899

At Scattergood & Johnson Ltd, we pride ourselves on being a technical distributor to specialist industries.

Working with a range of quality product suppliers across a number of specialist markets, we are not your average 'box shifter' - we are your technical and supply chain partner.

We fully support every product we sell - for free! Our internal team and external sales engineers can answer any product or application question, no matter the complexity.

Backing up this technical ability is a range of 50,000+ products available from stock for nationwide next day delivery (same day if required!), or you can collect what you need from any of our trade counters around the UK.

Select your specialist interest below to learn more about how we can help.



Online, In Branch and On the Road - Scattergood & Johnson Ltd, there when you need us.

# [www.scatts.co.uk](http://www.scatts.co.uk)