



SUPPLY RAIL

for mounting of
monostable/bistable spool valves
1/4 - 3/8 - 1/2

Series
881

FEATURES

- Supply rail 1/4 (for valve series 551, L1), 3/8 (for valve series L2) and 1/2 (for valve series 553, L8)
- Easy, quick and cost-effective installation
- Orientable rail mounting for easy adaption to specific machine arrangement
- Available with up to 8 outlets

GENERAL

Max. inlet pressure 0 - 16 bar [1 bar = 100 kPa]
Differential pressure 0 - 10 bar
Ambient temperature -20°C to + 60°C

| fluids (*) | temperature range (TS) | seal materials (*) |
|--------------------------|--------------------------------|--------------------|
| air, inert gas, filtered | -20°C to + 60°C ⁽¹⁾ | NBR (nitrile) |

⁽¹⁾ -20°C to +90°C when using valves other than those of series 551/521/L1/L2/553/L8.



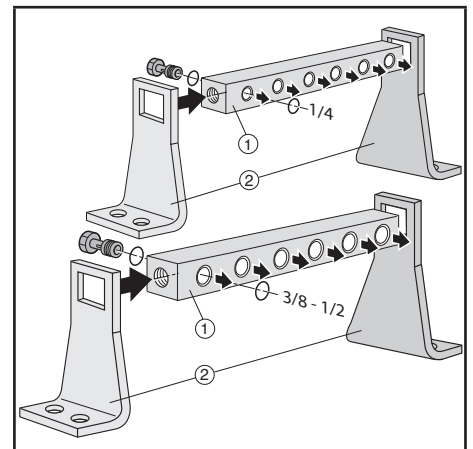
MATERIALS IN CONTACT WITH FLUID

(*) Ensure that the compatibility of the fluids in contact with the materials is verified

Supply rail Aluminium
Banjo bolts Brass nickel plated
O-rings NBR

OTHER MATERIALS

Mounting brackets Steel



① Supply rail
 ② Set of 2 mounting brackets

SPECIFICATIONS

| supply inlet size | orifice size | flow coefficient Kv | | operating pressure differential (bar) | | | number of outlets | catalogue number (supply rail for «n» valves) | | |
|--|----------------------|----------------------|----------------------|---------------------------------------|-----------|----|-----------------------------------|--|----------------------------------|---------------------------------------|
| | | | | min. | max. (PS) | | | for valves G 1/4 (series 521, 551, L1, L2,...) | for valves G 3/8 (series L2,...) | for valves G 1/2 (series 553, L8,...) |
| | | | | | ~ | = | | | | |
| G | (mm) | (m³/h) | (l/min) | | | | | | | |
| Supply rail with seals and banjo bolts, without mounting brackets | | | | | | | | | | |
| 3/8 (outlets 2..8 x 1/4) | 7 | 1,2 | 20 | 0 | 10 | 10 | 2 | 88100034 | - | - |
| | | | | | | | 3 | 88100035 | - | - |
| | | | | | | | 4 | 88100036 | - | - |
| | | | | | | | 5 | 88100037 | - | - |
| | | | | | | | 6 | 88100038 | - | - |
| | | | | | | | 7 | 88100039 | - | - |
| | | | | | | | 8 | 88100040 | - | - |
| 3/4 (outlets 2..8 x 3/8 or 1/2) | 12 (3/8) 13 (1/2) | 2,7 (3/8) 3 (1/2) | 45 (3/8) 50 (1/2) | 0 | 10 | 10 | 2 | - | 88100800 | 88100759 |
| | | | | | | | 3 | - | 88100801 | 88100760 |
| | | | | | | | 4 | - | 88100802 | 88100761 |
| | | | | | | | 5 | - | 88100803 | 88100762 |
| | | | | | | | 6 | - | 88100804 | 88100763 |
| | | | | | | | 7 | - | 88100805 | 88100764 |
| | | | | | | | 8 | - | 88100806 | 88100765 |
| | | | | | | | Set of 2 mounting brackets | | | |
| - | - | - | - | - | - | - | 88100049 | 88100773 | | |

00194GB-2017/R01
 Availability, design and specifications are subject to change without notice. All rights reserved.

All leaflets are available on: www.asco.com

Pneumatic Valves (3/2 - 5/2 - 5/3) - 9

OPTIONS

- Other pipe connections are available on request

INSTALLATION

- The supply rails can be mounted in any position without affecting operation
- Threaded pipe connection is standard: G = G (ISO 228/1)
- Installation/maintenance instructions are included with each supply rail

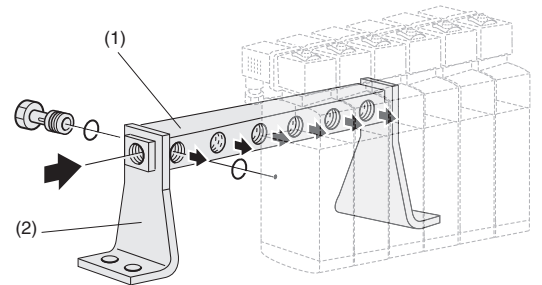
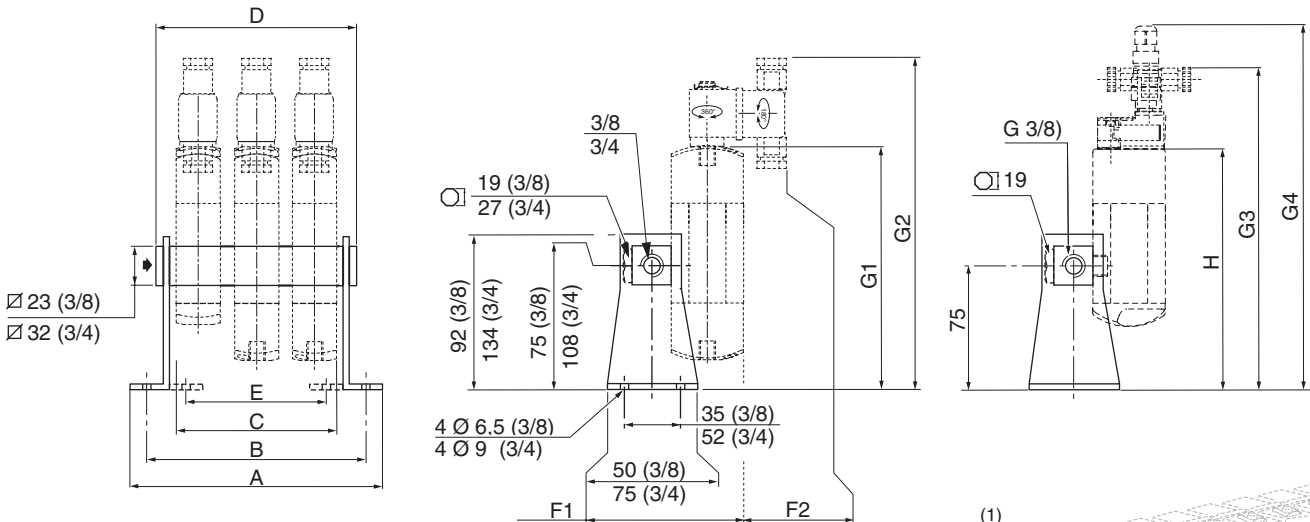
DIMENSIONS (mm), WEIGHT (kg)

TYPE 01- 02

 Supply rails
 Aluminium

Type 01 = Inlet G 3/8, outlets G 1/4

Type 02 = Inlet G 3/4, outlets G 3/8 or G 1/2



(1) Supply rail

(2) Set of 2 mounting brackets

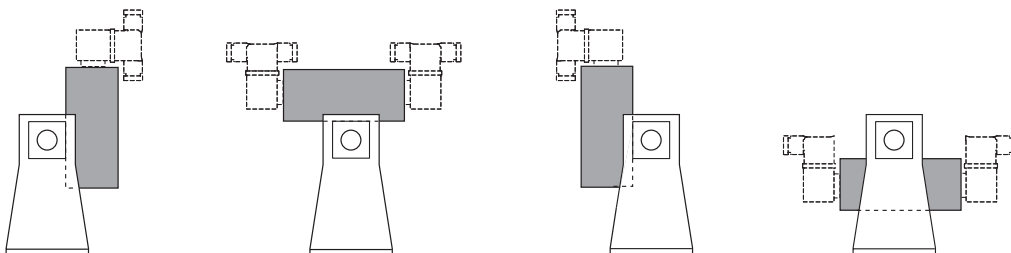
| type | supply inlet size | number of valves | A | B | C | D | E | weight ⁽²⁾ | | |
|------|-------------------|------------------|-----|-----|-----|-----|-----|-----------------------|-------|-------|
| | | | | | | | | 1/4 | 3/8 | 1/2 |
| 01 | 3/8 | 2 | 108 | 92 | 55 | 78 | 42 | 0,125 | - | - |
| | | 3 | 136 | 120 | 83 | 106 | 70 | 0,176 | - | - |
| | | 4 | 164 | 148 | 111 | 134 | 98 | 0,225 | - | - |
| | | 5 | 192 | 176 | 139 | 162 | 126 | 0,276 | - | - |
| | | 6 | 220 | 204 | 167 | 190 | 154 | 0,326 | - | - |
| | | 7 | 248 | 232 | 195 | 218 | 182 | 0,374 | - | - |
| | | 8 | 276 | 260 | 223 | 246 | 210 | 0,424 | - | - |
| 02 | 3/4 | 2 | 136 | 116 | 81 | 117 | - | - | 0,322 | 0,350 |
| | | 3 | 177 | 157 | 122 | 158 | - | - | 0,454 | 0,497 |
| | | 4 | 218 | 198 | 163 | 199 | - | - | 0,591 | 0,648 |
| | | 5 | 259 | 239 | 204 | 240 | - | - | 0,719 | 0,791 |
| | | 6 | 300 | 280 | 245 | 281 | - | - | 0,844 | 0,930 |
| | | 7 | 341 | 321 | 286 | 322 | - | - | 0,990 | 1,091 |
| | | 8 | 382 | 362 | 327 | 363 | - | - | 1,115 | 1,230 |

| adaptable valves | F1 | F2 | G1 | G2 | G3 | G4 | H |
|------------------|-----|----|-----|-----|-----|-----|-----|
| 551 | 82 | 27 | 148 | 194 | 197 | 232 | 147 |
| 521 | 68 | 26 | - | 166 | - | - | - |
| L1 | 78 | 22 | 78 | 160 | - | - | - |
| 552 | 126 | 20 | 202 | 260 | - | - | - |
| L2 | 88 | 22 | 88 | 168 | - | - | - |
| 553 | 126 | 20 | 202 | 260 | - | - | - |
| L8 | 111 | 22 | 111 | 256 | - | - | - |

⁽²⁾ Supply rail with banjo bolts and seals

Additional weight per set of 2 mounting brackets: G 3/8 outlets 1/4 = 0,186 , G 3/4 outlets 3/8 or 1/2 = 0,416

This mounting arrangement allows valves to be mounted in any of 4 positions.


 All leaflets are available on: www.asco.com
10 - Pneumatic Valves (3/2 - 5/2 - 5/3)



SUPPLY RAIL WITH PRESSURE ISOLATION VALVES

for mounting of monostable/bistable valves

1/4

Series
881

FEATURES

- Supply rail allowing for easy installation of isolation valves during operation without having to cut the general pressure supply
- Supply rail designed for a large variety of 1/4" valves (521, 551, L1, L2)
- Isolation valves, mounting brackets and hardware included for immediate installation
- Large range of optional accessories to allow the rail to be adapted to different uses: 1/8" isolation valve, supply pressure isolation valve, shut-off valve etc.

GENERAL

Max. inlet pressure 0 - 16 bar [1 bar = 100 kPa]
Differential pressure 0 - 10 bar
Ambient temperature -20°C to +90°C

| fluids (*) | temperature range (TS) | seal materials (*) |
|--------------------------|------------------------|--------------------|
| air, inert gas, filtered | - 25°C to + 60°C | NBR (nitrile) |

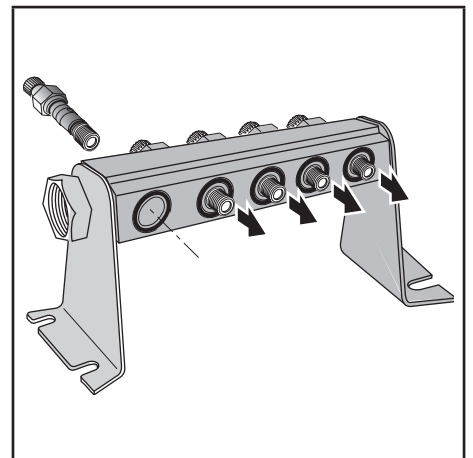
MATERIALS IN CONTACT WITH FLUID

(*) Ensure that the compatibility of the fluids in contact with the materials is verified

Supply rail Aluminium
End pieces Stainless steel
Screw/isolation valve Stainless steel
O-rings NBR

OTHER MATERIALS

Low mounting brackets (65 mm) Stainless steel



SPECIFICATIONS

| supply inlet size | orifice size | flow coefficient Kv | | operating pressure differential (bar) | | | number of outlets | catalogue number (supply rail for «n» valves with end pieces and low 65 mm mounting brackets) |
|--|--------------|---------------------|---------|---------------------------------------|-----------|----|-------------------|--|
| | | | | min. | max. (PS) | | | |
| G | (mm) | (m³/h) | (l/min) | | ~ | = | | |
| Supply rail with isolation valves, end pieces and low mounting brackets | | | | | | | | |
| 1/2 (outlets 2..12 x 1/4) | 6,8 | 1,1 | 18,3 | 0 | 10 | 10 | 2 | 88100915 |
| | | | | | | | 3 | 88100916 |
| | | | | | | | 4 | 88100917 |
| | | | | | | | 5 | 88100918 |
| | | | | | | | 6 | 88100919 |
| | | | | | | | 7 | 88100920 |
| | | | | | | | 8 | 88100921 |
| | | | | | | | 9 | 88100922 |
| | | | | | | | 10 | 88100923 |
| | | | | | | | 11 | 88100924 |
| | | | | | | | 12 | 88100925 |

00194GB-2017/R01
Availability, design and specifications are subject to change without notice. All rights reserved.

All leaflets are available on: www.asco.com

Pneumatic Valves (3/2 - 5/2 - 5/3) - 11

OPTIONS

- High mounting brackets (120 mm) for lateral and bottom mounting of bistable valves
- Isolation valve with G 1/8 thread for valve type L1
- Supply pressure isolation valve
- Shut-off valve 1/4
- Other pipe connections are available on request

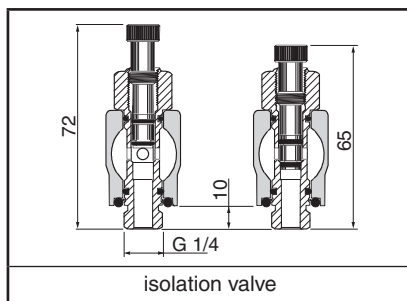
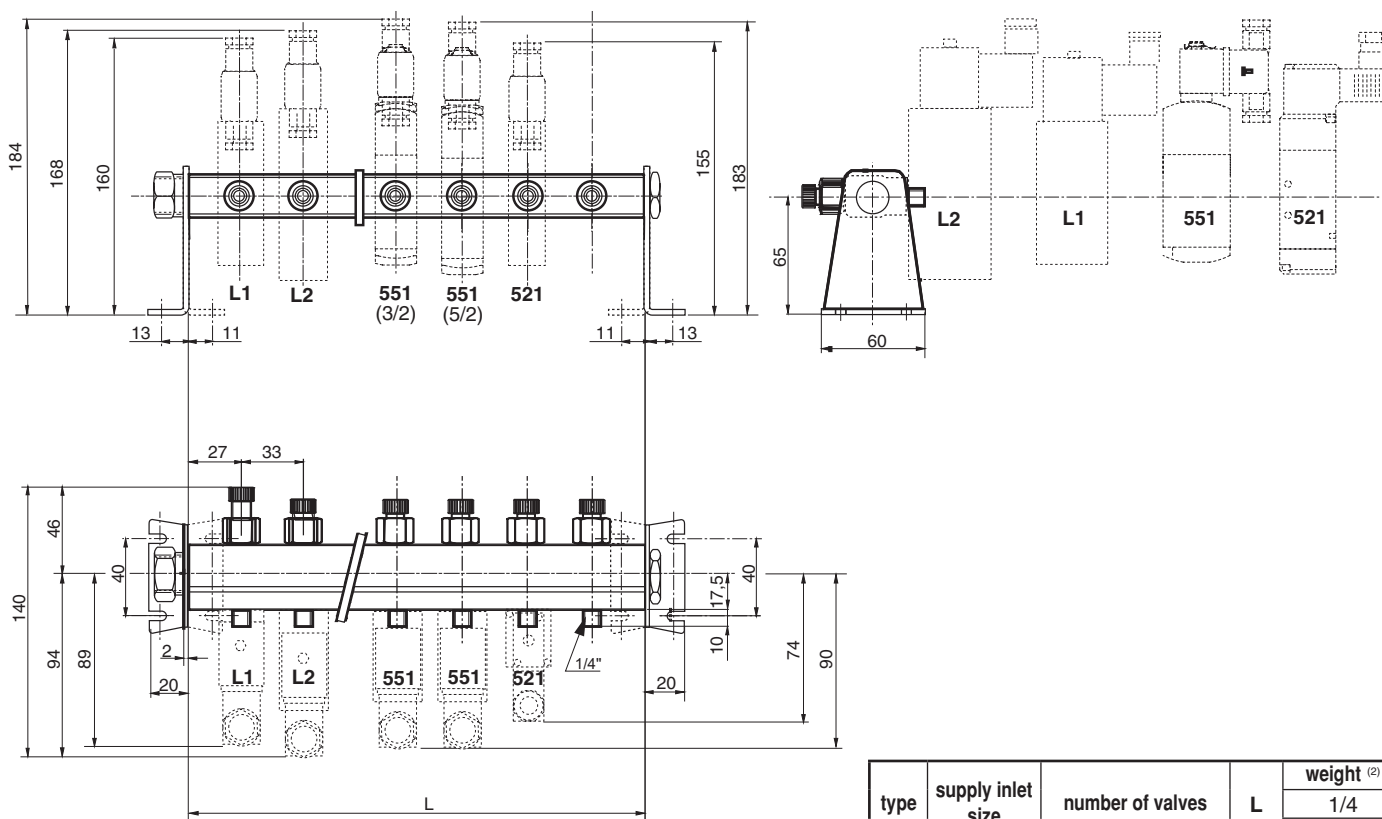
INSTALLATION

- The supply rails can be mounted in any position without affecting operation
- Threaded pipe connection is standard: G = G (ISO 228/1)
- Installation/maintenance instructions are included with each supply rail

DIMENSIONS (mm), WEIGHT (kg)



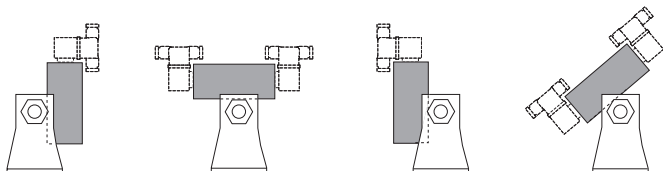
TYPE 01
Supply rails
Aluminium
Inlet G 1/2, outlets G 1/4



| type | supply inlet size | number of valves | L | weight ⁽²⁾ | |
|------|-------------------|------------------|-----|-----------------------|--|
| | | | | 1/4 | |
| 01 | 1/2 | 2 | 87 | 0,125 | |
| | | 3 | 120 | 0,176 | |
| | | 4 | 153 | 0,225 | |
| | | 5 | 186 | 0,276 | |
| | | 6 | 219 | 0,326 | |
| | | 7 | 252 | 0,374 | |
| | | 8 | 285 | 0,424 | |
| | | 9 | 318 | - | |
| | | 10 | 351 | - | |
| | | 11 | 384 | - | |
| | | 12 | 417 | - | |

⁽²⁾ Supply rail with plugging screws, mounting brackets and seals.

This mounting arrangement allows valves to be mounted in any of several positions.



All leaflets are available on: www.asco.com

12 - Pneumatic Valves (3/2 - 5/2 - 5/3)



SCATTERGOOD & JOHNSON LTD

ELECTRICAL ENGINEERING & FLUID CONTROL DISTRIBUTORS

Est.1899

At Scattergood & Johnson Ltd, we pride ourselves on being a technical distributor to specialist industries.

Working with a range of quality product suppliers across a number of specialist markets, we are not your average 'box shifter' - we are your technical and supply chain partner.

We fully support every product we sell - for free! Our internal team and external sales engineers can answer any product or application question, no matter the complexity.

Backing up this technical ability is a range of 50,000+ products available from stock for nationwide next day delivery (same day if required!), or you can collect what you need from any of our trade counters around the UK.

Select your specialist interest below to learn more about how we can help.



Online, In Branch and On the Road - Scattergood & Johnson Ltd, there when you need us.

www.scatts.co.uk