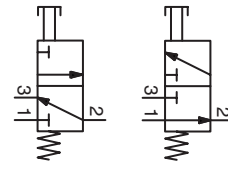




MANUALLY OPERATED PILOT VALVE

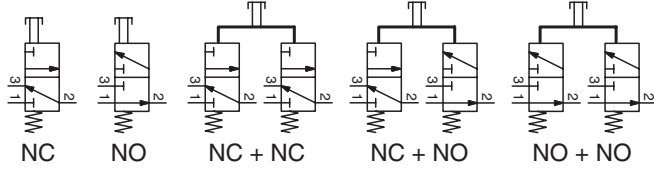
for panel mounting Ø 22
instant fittings for Ø 4 mm O.D. tube or G 1/8



3/2
Series
307

FEATURES

- Microvalve composed of an operating head, an adaptor, an intermediary subbase and one or two pneumatic modules.
- Modules allowing the following combination of functions:



- Adaption of metal or plastic buttons designed to meet the highest quality standards.
- Secure and robust fastening of the button on the microvalve.



GENERAL

Fluid	Air filtered, lubricated or no
Ports	Instant fittings Ø 4 O.D. or G 1/8
Operating pressure	0 to 8 bar
Ambient temperature	-5°C to +60°C
Operators	Manual
Flow (Qv at 6 bar)	112 l/min (ANR)
Nominal diameter	2 mm

CONSTRUCTION

Popet valve construction	Internal parts in stainless steel and elastomer
Body diecast	Exhaust port not tapped

SPECIFICATIONS - METAL operating head and adaptor

		pilot valve		operating head	adaptor	intermediary subbase + pneumatic(s) module(s)				
	designiation	type	color	cat. number	cat. number	connect.	cat. number	cat. number		
	flush push button	impulse	black	88130757	88130754	Ø 4 mm O.D.	NC	30701009	NC+NC	30701011
			green	88130758						
			red	88130759						
	mushroom* button Ø 40	push-turn	red	88130770						
			push-pull	red			88130752			
		impulse	red	88130762						
			black	88130763						
	switch button	2 positions fixed	black	88130771						
				key operated button			key removal at 0 and 1	black	88130761	
	lever switch button	2 positions fixed							black	88130760
		3 positions fixed				black		88130767		
		3 positions self centring		black	88130766					
						G 1/8	NC	30701013	NC+NC	30701015
							NO	30701014	NC+NO	30701016

*These components are not security mechanism

Order example :

1 pilot valve, instant fittings ports, with impulse black flush push button, NC :
1x **88130757** + 1x **88130754** + 1x **30701009**

00400GB-2017/R01
Availability, design and specifications are subject to change without notice. All rights reserved.

SPECIFICATIONS - PLASTIC operating head and adaptor

		pilot valve	operating head	adaptor		intermediary subbase + pneumatic module(s)											
			or	=	+	+											
designation	type	color	cat. number	cat. number		connect.	cat. number	cat. number									
	flush push button	impulse	black	88130745	88130753	+											
			green	88130744													
			red	88130743													
	mushroom* button Ø 40	push-turn	red	88130740			88130753	+									
		impulse	red	88130741													
		impulse	black	88130742													
	Ø 60	impulse	black	88130748					88130753	+		NC	30701009	NC+NC	30701011		
			NO	30701010								NC+NO	30701012				
	switch button	2 positions fixed	black	88130739							88130753	+	G1/8	NC	30701013	NC+NC	30701015
	key operated button	key removal at 0 and 1	black	88130738										NO	30701014	NC+NO	30701016
	lever switch button	2 positions fixed		black									88130737				
		3 positions fixed		black									88130736				
		3 positions self centring		black	88130735												

*These components are not security mechanism

Order example:

1 pilot valve, connection G 1/8, with impulse red flush push button, NC+NC :
 1x **88130743** + 1x **88130753** + 1x **30701015**

OPERATION OF 3 POSITION SWITCHES

type	operation on module		left	right
	left	right		
3 positions fixed		0	not operated	not operated
		1	not operated	operated
		2	operated	not operated
3 positions self centring		0	not operated	not operated
		1	not operated	operated
		2	operated	not operated

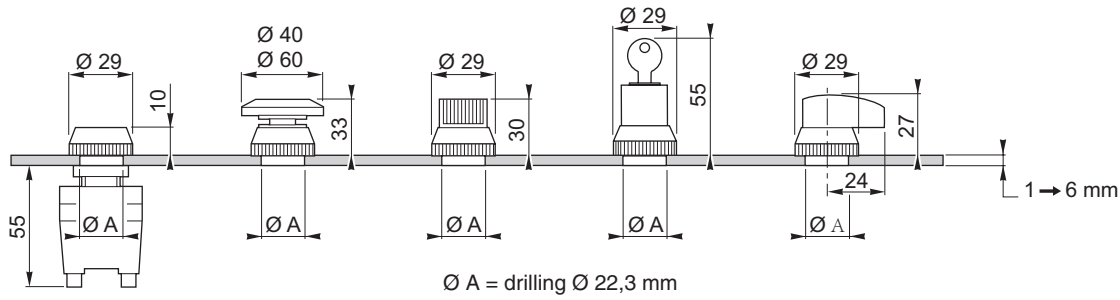
SEPARATED PNEUMATIC MODULES

connection	function	cat. number
instant fittings Ø 4 mm O.D.	NC	30701001
	NO	30701002
tapped G 1/8	NC	30701005
	NO	30701006

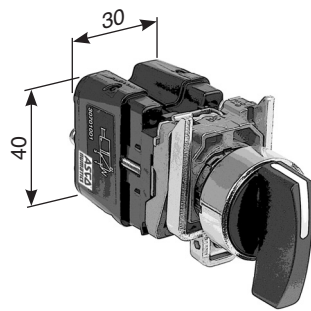
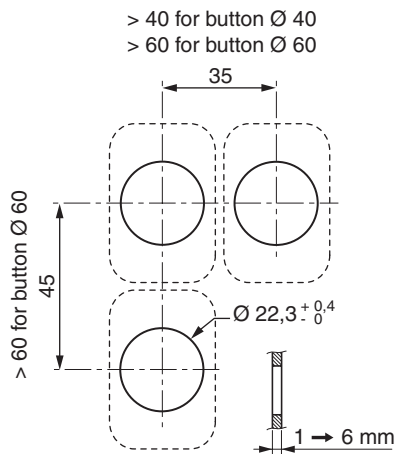
INTERMEDIARY SUBBASE

	cat. number
	88130775

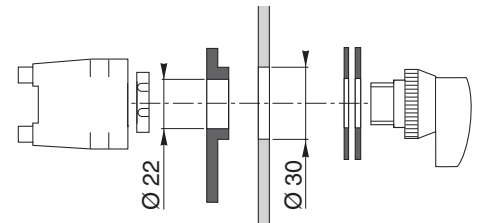
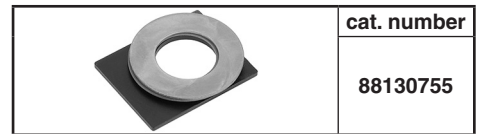
DIMENSIONS



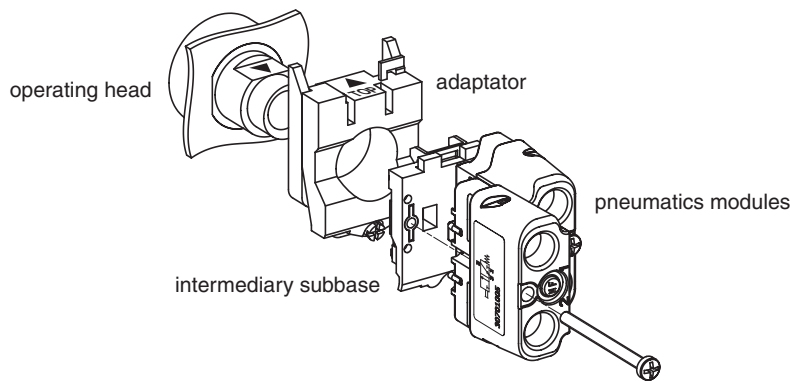
PANEL DRILLING



REDUCING ADAPTER
Ø 30 → Ø 22 mm

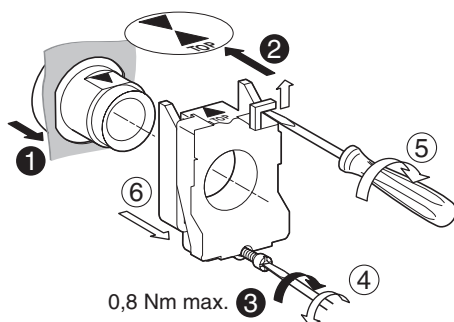


MOUNTING



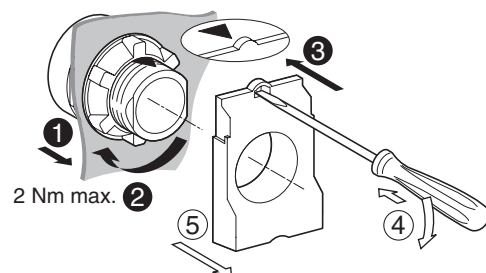
metal operating head

- ➔ ① ② ③ ← mounting
- ← ④ ⑤ ⑥ ➔ dismantling



plastic operating head

- ➔ ① ② ③ ← mounting
- ← ④ ⑤ ➔ dismantling



00400GB-2017/R01
Availability, design and specifications are subject to change without notice. All rights reserved.



SCATTERGOOD & JOHNSON LTD

ELECTRICAL ENGINEERING & FLUID CONTROL DISTRIBUTORS

Est.1899

At Scattergood & Johnson Ltd, we pride ourselves on being a technical distributor to specialist industries.

Working with a range of quality product suppliers across a number of specialist markets, we are not your average 'box shifter' - we are your technical and supply chain partner.

We fully support every product we sell - for free! Our internal team and external sales engineers can answer any product or application question, no matter the complexity.

Backing up this technical ability is a range of 50,000+ products available from stock for nationwide next day delivery (same day if required!), or you can collect what you need from any of our trade counters around the UK.

Select your specialist interest below to learn more about how we can help.



Online, In Branch and On the Road - Scattergood & Johnson Ltd, there when you need us.

www.scatts.co.uk