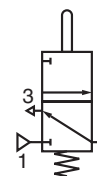




HEAVY DUTY PILOT VALVE

mechanically operated
instant fittings
for Ø 4 mm OD tube or G 1/8

NC



3/2
Series
308

SPECIFICATION

FLUID	: Air filtered, lubricated or not
PORTS	: instant fittings for Ø 4 mm OD tube or G 1/8
PRESSURE	: 0,1 to 8 bar
TEMPERATURE	: -5°C to +50°C
FLOW (Qv at 6 bar)	: 140 l/min (ANR)
Ø NOMINAL	: 2,5 mm
OPERATING HEADS	: Mechanical
IMPLANTING	: CENELEC EN 50047 CNOMO n° 06.05.35

CONSTRUCTION

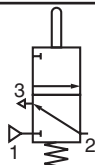
Centre closed poppet valve
Body diecast
Internal parts in stainless steel and elastomer
Built-in exhaust silencer (exhaust port can be piped G 1/8)
Instant fittings brass



CHOICE OF EQUIPMENT

Operating head		Action	Effort (daN) with 8 bar	CODES		
Type	Operator			Operating head ALONE	Valve body + operating head Instant fittings	Tapped G 1/8
	Single lever plastic roller	Left and right	1,2	88130801 (*)	30800009	30800015
	Single lever bearing roller (CNOMO 06.05.35)	Left and right	1,2	88130802 (*)	30800010	30800016
	Adjustable lever with plastic roller	Left and right	0,4 to 1,2	88130803 (*)	30800011	30800017
	Adjustable lever with ball bearing roller	Left and right	0,4 to 1,2	88130804 (*)	30800012	30800018
	Flexible lever	Left and right	0,3 to 1,2	88130807 (*)	30800027	30800030
	Rotating head alone	Left and right	-	-	30800001	30800005

FUNCTION NC
Normally closed



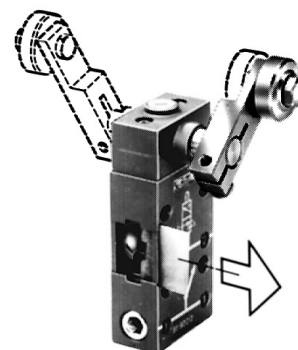
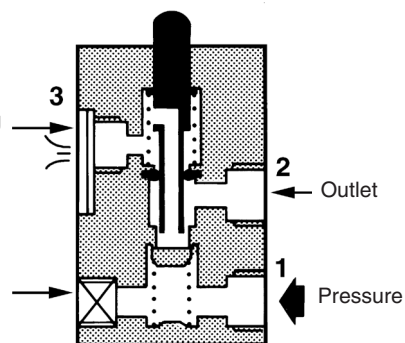
1 = Pressure
2 = Outlet
3 = Exhaust

(*) The different levers are fitted to the valve fitted with a head with a side spindle (code 30800001 or 30800005)

CONNECTING

Exhaust
Flat silencers removable revealing an G 1/8 port.

Alternative pressure port G 1/8 in this case plug port (1).



00408GB-2017/R01
Availability, design and specifications are subject to change without notice. All rights reserved.

All leaflets are available on: www.asco.com

Manually & Mechanically operated valves (3/2) - 19

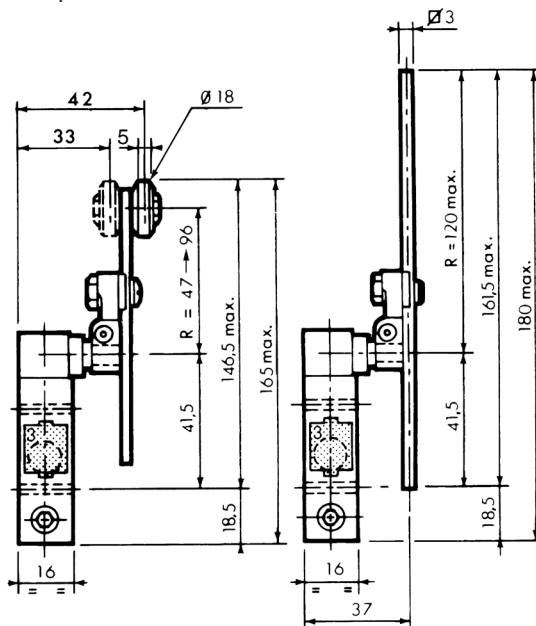
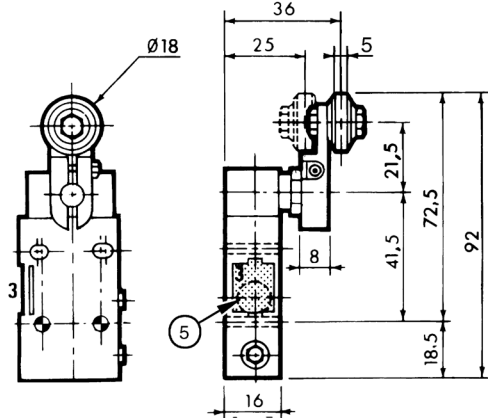
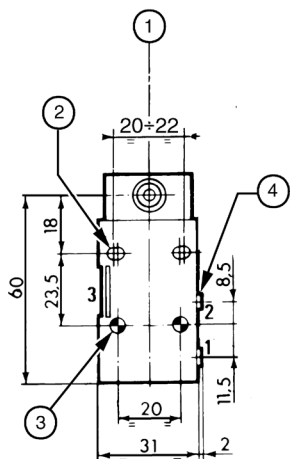
DIMENSIONS AND WEIGHTS (Max. weight : 0,200 kg)

Valve with rotating head alone

Single lever plastic roller

Adjustable lever with plastic roller or

Flexible lever



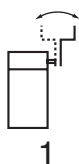
- ① Axe of the levers
- ② CENELEC mounting 2 holes Ø 4.2
- ③ CNOMO mounting 2 holes Ø 5.2
- ④ Instant fittings for tube Ø 4 mm or G 1/8
- ⑤ Exhaust with built-in silencer (can be piped G 1/8)

MOUNTING : SELECTING CONTROL POSITION

Single lever :

4 possible actions function of:

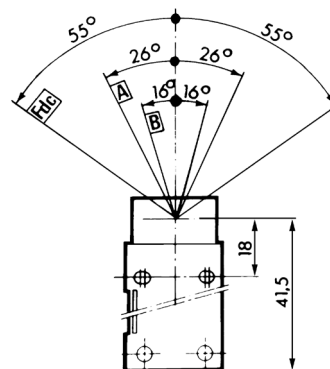
- (1) lever axe in relation to be head
- (2) roller position in relation to the lever



Upright adjustable lever :

2 possible mountings, by tilting the lever

Lever all types on rotating head



- A** Actuation point (small flow established)
- B** Release point
- Fdc** End of stroke position



SCATTERGOOD & JOHNSON LTD

ELECTRICAL ENGINEERING & FLUID CONTROL DISTRIBUTORS

Est.1899

At Scattergood & Johnson Ltd, we pride ourselves on being a technical distributor to specialist industries.

Working with a range of quality product suppliers across a number of specialist markets, we are not your average 'box shifter' - we are your technical and supply chain partner.

We fully support every product we sell - for free! Our internal team and external sales engineers can answer any product or application question, no matter the complexity.

Backing up this technical ability is a range of 50,000+ products available from stock for nationwide next day delivery (same day if required!), or you can collect what you need from any of our trade counters around the UK.

Select your specialist interest below to learn more about how we can help.



Online, In Branch and On the Road - Scattergood & Johnson Ltd, there when you need us.

www.scatts.co.uk