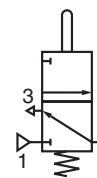




# HEAVY DUTY PILOT VALVE

mechanically operated  
instant fittings  
for Ø 4 mm OD tube or G 1/8

NC



**3/2**  
Series  
**308**

## SPECIFICATION

FLUID	: Air filtered, lubricated or not
PORTS	: instant fittings for Ø 4 mm OD tube or G 1/8
PRESSURE	: 0,1 to 8 bar
TEMPERATURE	: -5°C to +50°C
FLOW (Qv at 6 bar)	: 140 l/min (ANR)
Ø NOMINAL	: 2,5 mm
OPERATING HEADS	: Mechanical
IMPLANTING	: CENELEC EN 50047 CNOMO n° 06.05.35

## CONSTRUCTION

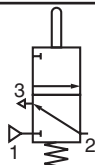
Centre closed poppet valve  
Body diecast  
Internal parts in stainless steel and elastomer  
Built-in exhaust silencer (exhaust port can be piped G 1/8)  
Instant fittings brass



## CHOICE OF EQUIPMENT

Operating head		Action	Effort (daN) with 8 bar	CODES		
Type	Operator			Operating head ALONE	Valve body + operating head	
				Instant fittings	Tapped G 1/8	
	Single lever plastic roller	Left and right	1,2	<b>88130801</b> (*)	<b>30800009</b>	<b>30800015</b>
	Single lever bearing roller (CNOMO 06.05.35)	Left and right	1,2	<b>88130802</b> (*)	<b>30800010</b>	<b>30800016</b>
	Adjustable lever with plastic roller	Left and right	0,4 to 1,2	<b>88130803</b> (*)	<b>30800011</b>	<b>30800017</b>
	Adjustable lever with ball bearing roller	Left and right	0,4 to 1,2	<b>88130804</b> (*)	<b>30800012</b>	<b>30800018</b>
	Flexible lever	Left and right	0,3 to 1,2	<b>88130807</b> (*)	<b>30800027</b>	<b>30800030</b>
	Rotating head alone	Left and right	-	-	<b>30800001</b>	<b>30800005</b>

**FUNCTION NC**  
Normally closed



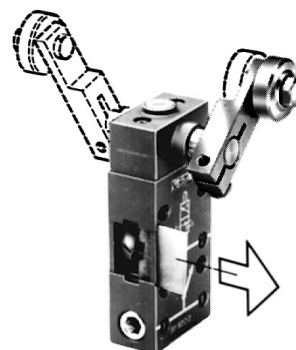
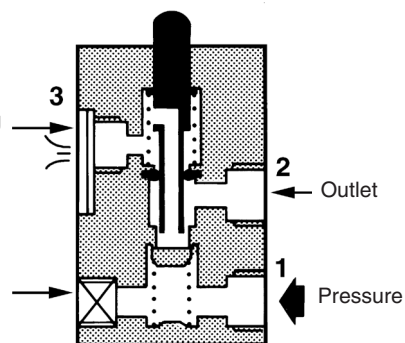
1 = Pressure  
2 = Outlet  
3 = Exhaust

(\*) The different levers are fitted to the valve fitted with a head with a side spindle (code **30800001** or **30800005**)

## CONNECTING

Exhaust  
Flat silencers removable revealing an G 1/8 port.

Alternative pressure port G 1/8 in this case plug port (1).



All leaflets are available on: [www.asco.com](http://www.asco.com)

Manually & Mechanically operated valves (3/2) - 19

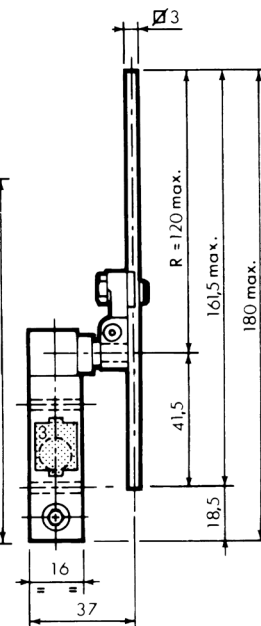
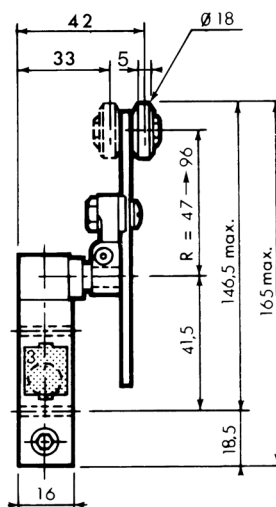
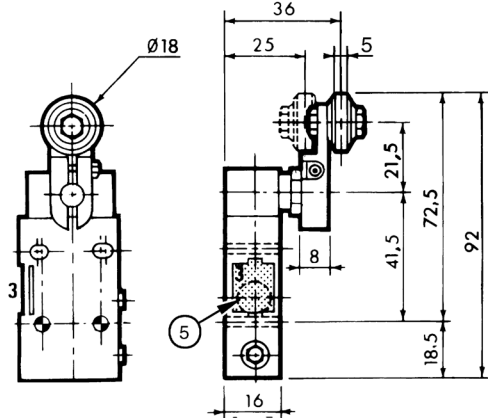
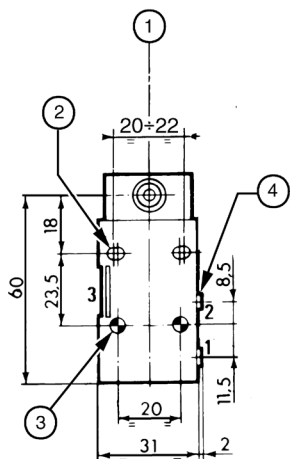
**DIMENSIONS AND WEIGHTS** (Max. weight : 0,200 kg)

Valve with rotating head alone

Single lever plastic roller

Adjustable lever with plastic roller or

Flexible lever



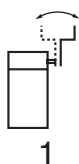
- ① Axe of the levers
- ② CENELEC mounting 2 holes Ø 4.2
- ③ CNOMO mounting 2 holes Ø 5.2
- ④ Instant fittings for tube Ø 4 mm or G 1/8
- ⑤ Exhaust with built-in silencer (can be piped G 1/8)

**MOUNTING : SELECTING CONTROL POSITION**

**Single lever :**

4 possible actions function of:

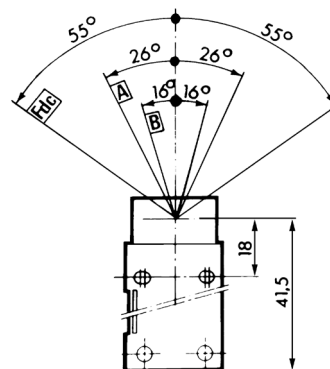
- (1) lever axe in relation to be head
- (2) roller position in relation to the lever



**Upright adjustable lever :**

2 possible mountings, by tilting the lever

**Lever all types on rotating head**



- A** Actuation point (small flow established)
- B** Release point
- Fdc** End of stroke position



# SCATTERGOOD & JOHNSON LTD

ELECTRICAL ENGINEERING & FLUID CONTROL DISTRIBUTORS

Est.1899

At Scattergood & Johnson Ltd, we pride ourselves on being a technical distributor to specialist industries.

Working with a range of quality product suppliers across a number of specialist markets, we are not your average 'box shifter' - we are your technical and supply chain partner.

We fully support every product we sell - for free! Our internal team and external sales engineers can answer any product or application question, no matter the complexity.

Backing up this technical ability is a range of 50,000+ products available from stock for nationwide next day delivery (same day if required!), or you can collect what you need from any of our trade counters around the UK.

Select your specialist interest below to learn more about how we can help.



Online, In Branch and On the Road - Scattergood & Johnson Ltd, there when you need us.

# [www.scatts.co.uk](http://www.scatts.co.uk)