

JOUCOMATIC™

SPOOL VALVES
air operated
 ISO 15407-1 - VDMA 24563
 subbase-mounted body



5/2-5/3

Series

538

Type

ISO size 02 (18 mm)

GENERAL

Fluid	Air or neutral gaz, filtered, lubricated or not
Operating pressure	0 to 8 bar (1,5 to 8 bar with differential return)
Pilot pressure	See "specifications"
Ambient temperature	+5 °C to +50 °C
Flow (Qv at 6 bar)	500 l/min (ANR) - Kv : 7,2
Subbase	Single or joinable subbases

CONSTRUCTION

Body	Light alloy
Cover	POM (polyacetal)
Internal parts	Stainless steel, light alloy and POM (polyacetal)
Sealings	NBR (nitrile)

SPECIFICATIONS

function	symbol	operators		pilot pressure (bar)		catalogue number
		pilot (14)	return (12)	min.	max.	
5/2		air	differential	1,5	8	53800001
		air	air	1	8	53800002
5/3		air operated pressure held W1		1,5	8	53800003
		air operated pressure applied W2		1,5	8	53800004
		air operated pressure release W3		1,5	8	53800005

D

SUBBASES


description		size	port connection				catalogue number	
subbase	connection		1	2-4	3-5	12-14		
single subbase	side	ISO 02	G 1/8	G 1/8	G 1/8	M5	35500525	
joinable subbases (1)	side	ISO 02	subbase	-	G 1/8	-	M5	35500527
			set of 2 end plates	G 1/4	-	G 1/4	-	88135539
			set of 3 plugs on main pressure (1) and exhausts (3-5) for 2 different pressure supplies					88135541

(1) Joinable subbases are put together by small modular joining bolts.
 Joinable subbases can be mounted on symmetrical EN 50022 profiles with hexagon screws.

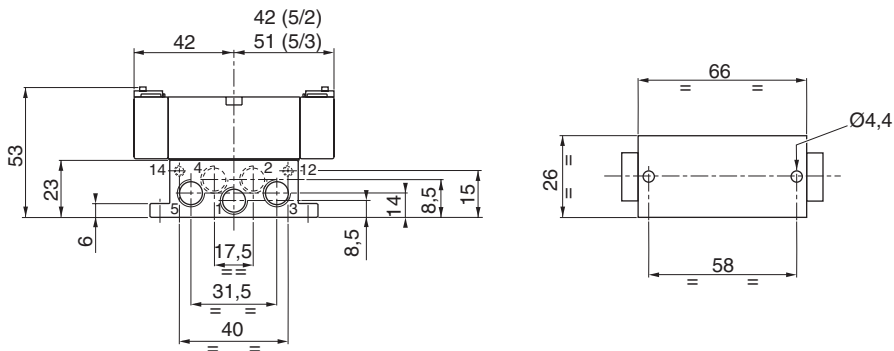
00210GB-2017/R01
 Availability, design and specifications are subject to change without notice. All rights reserved.

All leaflets are available on: www.asco.com

P468-1

DIMENSIONS (mm), WEIGHT (kg) 

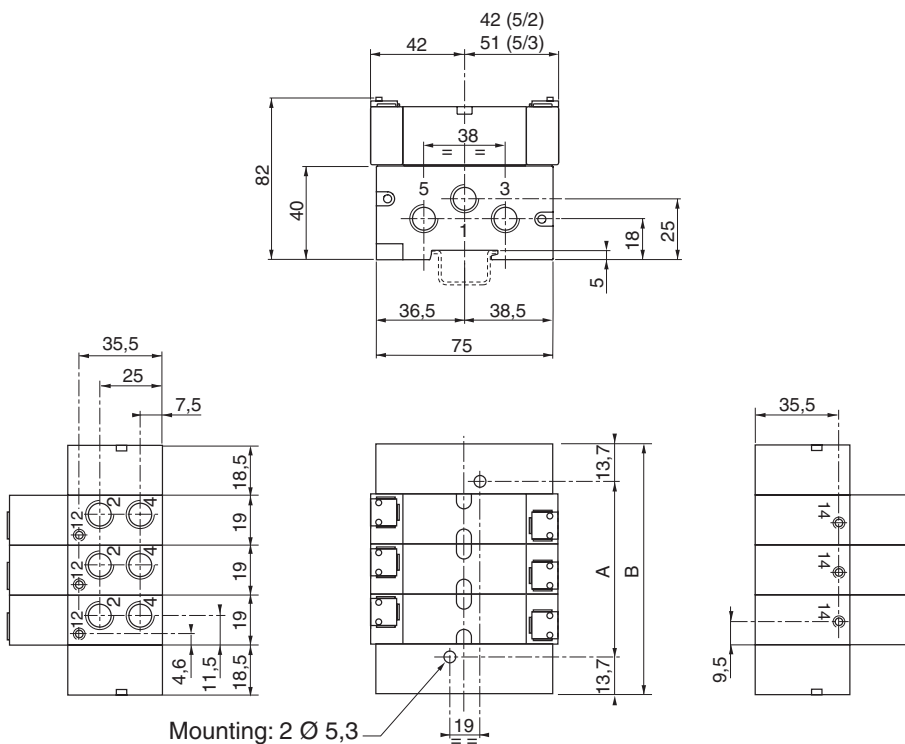
SPOOL VALVES ON SINGLE SUBBASE



weight	
spool valves + subbase	
0,260	

n° ports	Ø ports
1-3-5	G 1/8
2-4	G 1/8
12-14	M5

SPOOL VALVES ON JOINABLE SUBBASES



number of subbases	dimension		weight spool valves + subbases + end plates
	A	B	
3	66,5	94	0,880
4	85,5	113	1,090
5	104,5	132	1,300
6	123,5	151	1,510
7	142,5	170	1,720
8	161,5	189	1,930
+1	+19	+19	+ 0,210

n° ports	Ø ports
1-3-5	G 1/4
2-4	G 1/8
12-14	M5



SPOOL & SLEEVE VALVES

air operated
ISO 15407-1 - VDMA 24563
subbase-mounted body



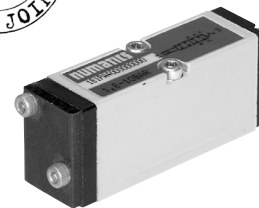
5/2-5/3

Series

CL18

Type

ISO Size 02 (18 mm)



FEATURES

- Reliability: steel spool & sleeve technology with long service life
- Robust valve design, particularly recommended for use in high-temperature or dirty environments

GENERAL

Fluids	Air or neutral gas, filtered, lubricated or not
Operating pressure	Vacuum to 16 bar
Pilot pressure	1,8 to 10 bar
Ambient temperature	-20 °C to +80 °C
Flow (Qv at 6 bar)	400 l/min (500 l/min with special subbase)
Base	ISO 15407-1 - VDMA 24563
Subbase	Single or joinable subbase

CONSTRUCTION

Body	Aluminium, anodised, painted grey
Internal parts	Stainless steel, POM (polyacetal), aluminium
Seals	NBR (nitrile)

SPECIFICATIONS


function	symbol	operators		Pilot pressure (bar)		catalogue number
		pilot (14)	return (12)	min.	max.	
5/2		air	Differential	1,8	10	181PA400000000
		air	air			181PP400000000
5/3		air operated pressure held W1				181PP600000000
		air operated pressure applied W2				181PP700000000
		air operated pressure released W3				181PP500000000

SUBBASES

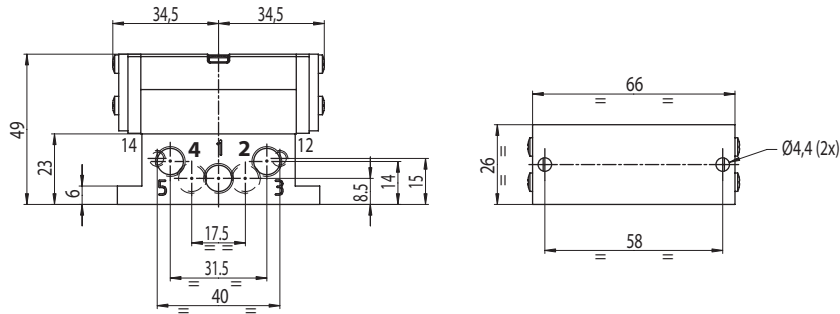
description		size	port connection				catalogue number	
subbase	type of port		1	2-4	3-5	12-14		
single subbase	side	ISO 02	G 1/8	G 1/8	G 1/8	M5	35500525	
joinable subbase (1)	side	ISO 02	subbase	G 1/8	-	M5	35500527	
			set of 2 end plates	G 1/4	-	G 1/4	-	88135539
			set of 3 plugs on main pressure (1) and exhausts (3-5) for 2 different pressure supplies					88135541

(1) Joinable subbases are put together with small modular columns
Joinable subbases can be mounted on symmetric EN 50022 profiles with hexagon screws

00210GB-2016/R01 Availability, design and specifications are subject to change without notice. All rights reserved.

DIMENSIONS (mm), WEIGHT (kg) 

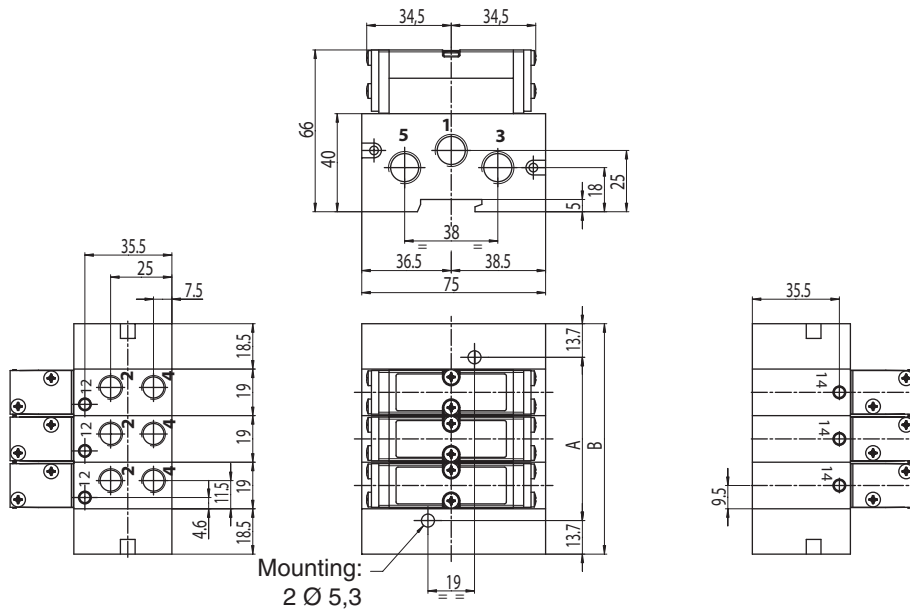
VALVE ON SINGLE SUBBASE



weight	
valve + subbase	
0,260	

port no.	Ø port
1-3-5	G 1/8
2-4	G 1/8
12-14	M5

VALVE ON JOINABLE SUBBASES



Number of subbases	dimensions		weight valve + subbases + end plates
	A	B	
3	66,5	94	0,880
4	85,5	113	1,090
5	104,5	132	1,300
6	123,5	151	1,510
7	142,5	170	1,720
8	161,5	189	1,930
+1	+19	+19	+ 0,210

port no.	Ø port
1-3-5	G 1/4
2-4	G 1/8
12-14	M5



SCATTERGOOD & JOHNSON LTD

ELECTRICAL ENGINEERING & FLUID CONTROL DISTRIBUTORS

Est.1899

At Scattergood & Johnson Ltd, we pride ourselves on being a technical distributor to specialist industries.

Working with a range of quality product suppliers across a number of specialist markets, we are not your average 'box shifter' - we are your technical and supply chain partner.

We fully support every product we sell - for free! Our internal team and external sales engineers can answer any product or application question, no matter the complexity.

Backing up this technical ability is a range of 50,000+ products available from stock for nationwide next day delivery (same day if required!), or you can collect what you need from any of our trade counters around the UK.

Select your specialist interest below to learn more about how we can help.



Online, In Branch and On the Road - Scattergood & Johnson Ltd, there when you need us.

www.scatts.co.uk