

SERIES

651

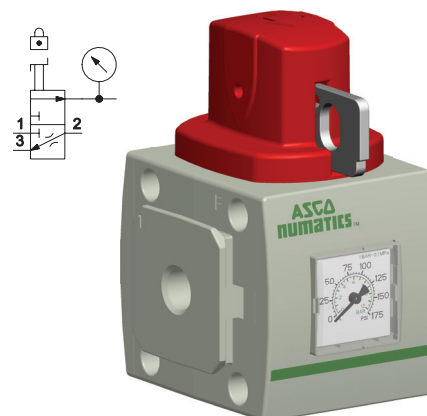
652

653

SHUT-OFF ISOLATION VALVE



- Robust and easy-to-operate shut-off valve, with lockout on handle
- Provides shut-off to downstream machinery
- Optional low profile integrated gauge provides clear indication of the downstream pressure, and when the downstream components can be safely removed when pressure (P2) is at zero
- Available as 3/2 or 2/2 construction



Performance Data							
Series	651		652		653		
Port sizes	1/8, 1/4		1/4, 3/8, 1/2		3/4, 1		
Thread type	G (NPTF in option)						
Nominal flow - ISO 6358 P1 = 6,3 bar ΔP = 1 bar	l/min (ANR)						
		1 → 2	2 → 3	1 → 2	2 → 3	1 → 2	2 → 3
	1/8	1440	250	-	-	-	-
	1/4	4720	250	4300	230	-	-
	3/8	-	-	8800	230	-	-
	1/2	-	-	11400	230	-	-
	3/4	-	-	-	-	33000	300
1	-	-	-	-	51900	300	
Maximum inlet pressure (bar)	16				20		
Ambient temperature range (°C)	-10 to +50						
Fluid temperature range (°C)	-10 to +50						
Fluid	air or inert gas						
Weight (kg)	0,260		0,438		0,943		

Materials in contact with fluid	
Body	Aluminium
Ball	Chrome-plated brass
Seat	PTFE
Seals	NBR/FPM

All leaflets are available on: www.asco.com

30 - Air Preparation

HOW TO ORDER

Shut-Off Isolation Valve

G 651 A 3 M 0 2 G A00 00

[Configurator - CAD Files](#)

Thread connection

- G = ISO 228/1-G ⁽¹⁾
- 8 = NPTF

Product series

- 651
- 652
- 653

Revision letter

- A

Product type

- 2 = 2/2 - Shut Off Valve
- 3 = 3/2 - Shut Off Valve

Valve Type

- M = Manually Operated Ball Valve with Lockout

Pilot valve/Electrical connection

- 0 = No Electrical Connection

Port size

- 1 = 1/8 (651 Series)
- 2 = 1/4 (651 or 652 Series)
- 3 = 3/8 (652 Series)
- 4 = 1/2 (652 Series)
- 5 = 3/4 (653 Series)
- 6 = 1 (653 Series)

⁽¹⁾ Conforms to ISO standards 1179-1.

⁽²⁾ [If multiple options are required, please use the on-line CAD configurator on the website to generate the part number \(www.asco.com\).](#)

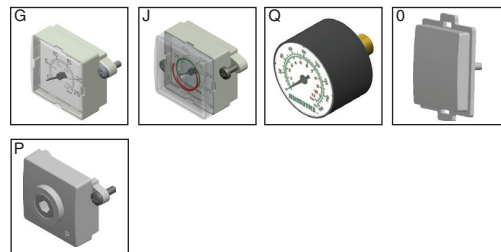
Options ⁽²⁾

- A00 = Without option
- 101 = Side Mounting Brackets
- 109 = FPM seals
- 111 = Metal Muffler
- 112 = Polyethylene Muffler
- 113 = Stainless steel fasteners
- 115 = Scissor Lock
- 117 = ATEX zones 1-21
- 122 = Bottom oriented pressure adjustment
- 123 = Gauge type mounted for right-to-left flow
- 124 = CUTR Certification (EAC)
- 125 = CUTR Ex
- 2B9 = 111 + 115



Gauge type

- G = Low profile integrated gauge bar/PSI
- J = Low profile integrated gauge bar/PSI with pressure range indicators
- Q = Round gauge bar/PSI
- 0 = No gauge port
- P = Port Plate Rc 1/8



SERIES

651

652

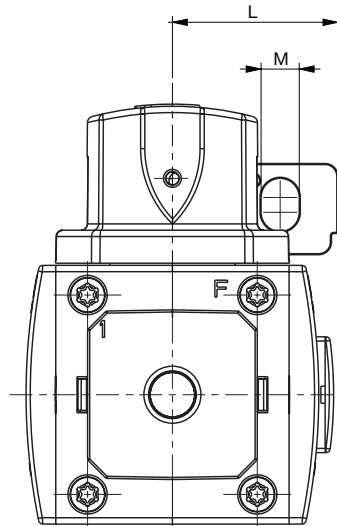
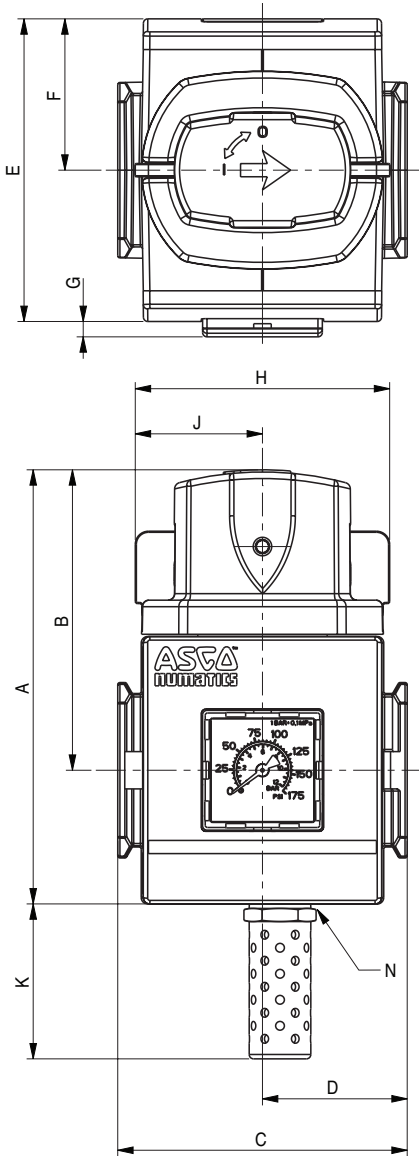
653



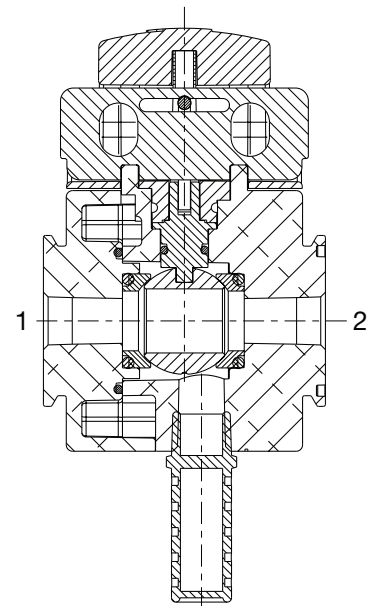
Dimensions: mm

Dimensional Drawing - 651/652/653 Series Shut-Off Isolation Valve

[Configurator - CAD Files](#)



Cross Section - 651/652/653 Series Shut-Off Isolation Valve



Series	A	B	C	D	E	F	G	H	J	K	L	M	N
651	90,5	65,5	50	25	58	29	4,4	57,8	28,9	35,5	38	9	G1/4
652	99	68	66	33	69	34,5	2,5	58	29	35	39	9	G1/4
653	120	79	90	45	93	46,5	1,9	58	29	46,7	38	9	G3/8



SCATTERGOOD & JOHNSON LTD

ELECTRICAL ENGINEERING & FLUID CONTROL DISTRIBUTORS

Est.1899

At Scattergood & Johnson Ltd, we pride ourselves on being a technical distributor to specialist industries.

Working with a range of quality product suppliers across a number of specialist markets, we are not your average 'box shifter' - we are your technical and supply chain partner.

We fully support every product we sell - for free! Our internal team and external sales engineers can answer any product or application question, no matter the complexity.

Backing up this technical ability is a range of 50,000+ products available from stock for nationwide next day delivery (same day if required!), or you can collect what you need from any of our trade counters around the UK.

Select your specialist interest below to learn more about how we can help.



Online, In Branch and On the Road - Scattergood & Johnson Ltd, there when you need us.

www.scatts.co.uk