

SERIES

651

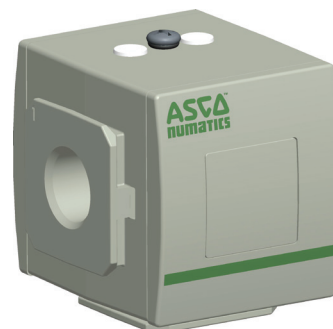
652

653

DIVERTER BLOCK



- Ideal for branching off primary 651/652/653 series air prep manifold to add additional products
- 1/4 G (651 Series), 3/8 G (652 Series), or 3/4 G (653 Series) on the front and back provide additional flexibility to attach or branch off the main manifold
- It can also be used to feed auxiliary air to air prep assemblies that require additional air capacity, such as a bank of manifold regulators



Performance Data				
Series		651	652	653
Port sizes	Left, Right & Bottom	1/4 & flange	1/2 & flange	1 & flange
	Front & Back	1/4	3/8	3/4
Thread type		G (NPTF in option)		
Top Port (for Pressure Switch/Pressure Sensor)		pad mount		
Maximum pressure (bar)		16		20
Fluid		air or inert gas		
Weight (kg)		0,188	0,331	0,753

Materials in contact with fluid	
Body	Aluminium

HOW TO ORDER

Diverter Block

G 651 A D 0 0 2 C A00 0 0

[Configurator - CAD Files](#)

Thread connection

- G = ISO 228/1-G ⁽¹⁾
- 8 = NPTF

Product series

- 651
- 652
- 653

Revision letter

A

Product type

- D = Diverter Block

Pressure switch type

- 0 = No pressure switch
- 1 = Pad mount without Visual indicator 10 bar max.
- 2 = Pad mount with Visual indicator 10 bar max.

Options ⁽²⁾

- A00 = Without option
- 101 = Side Mounting Brackets
- 117 = ATEX zones 1-21
- 124 = CUTR Certification (EAC)
- 125 = CUTR Ex

Pressure switch interface

- C = Provisioned for 349 pressure switch pad mount

Port size

- 2 = 1/4 (651 Series)
- 4 = 1/2 (652 Series)
- 6 = 1 (653 Series)

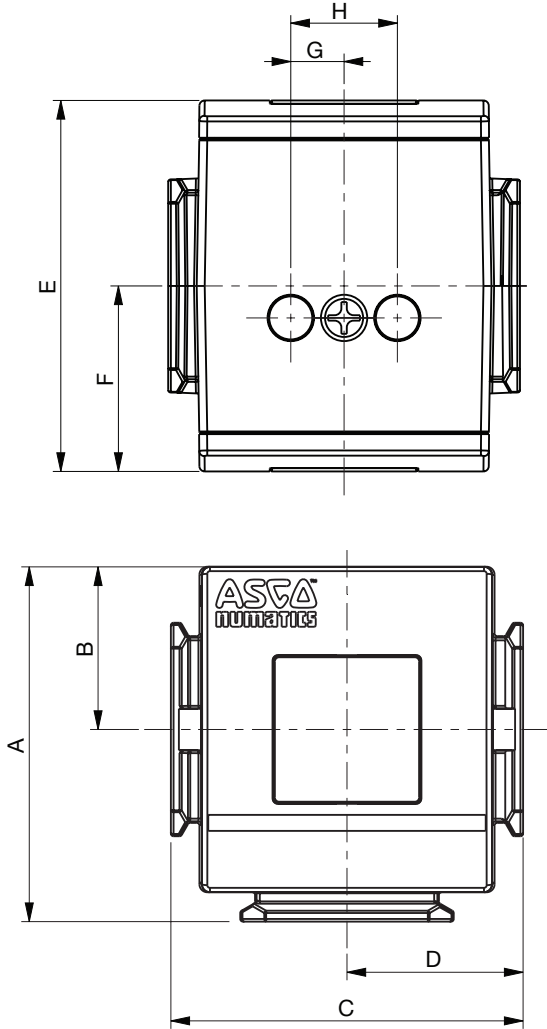
⁽¹⁾ Conforms to ISO standards 1179-1.

⁽²⁾ If multiple options are required, please use the on-line CAD configurator on the website to generate the part number (www.asco.com).

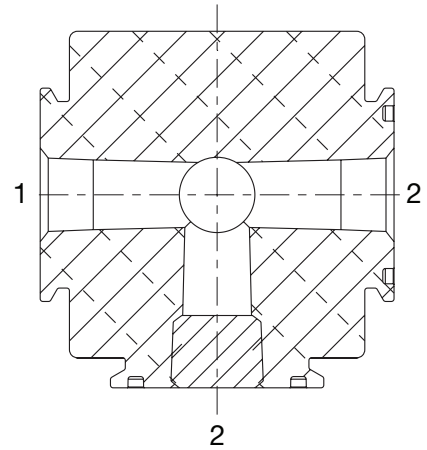
Dimensions: mm

Dimensional Drawing - 651/652/653 Series Diverter Block

[Configurator - CAD Files](#)



Cross Section - 651/652/653 Series Diverter Block



Series	A	B	C	D	E	F	G	H
651	54,4	25	50	25	58	29	10	20
652	66,5	30,5	66	33	70	35	10	20
653	86,5	41	90	45	93	46,5	10	20

01810GB-2017/R02
Availability, design and specifications are subject to change without notice. All rights reserved.



SCATTERGOOD & JOHNSON LTD

ELECTRICAL ENGINEERING & FLUID CONTROL DISTRIBUTORS

Est.1899

At Scattergood & Johnson Ltd, we pride ourselves on being a technical distributor to specialist industries.

Working with a range of quality product suppliers across a number of specialist markets, we are not your average 'box shifter' - we are your technical and supply chain partner.

We fully support every product we sell - for free! Our internal team and external sales engineers can answer any product or application question, no matter the complexity.

Backing up this technical ability is a range of 50,000+ products available from stock for nationwide next day delivery (same day if required!), or you can collect what you need from any of our trade counters around the UK.

Select your specialist interest below to learn more about how we can help.



Online, In Branch and On the Road - Scattergood & Johnson Ltd, there when you need us.

www.scatts.co.uk