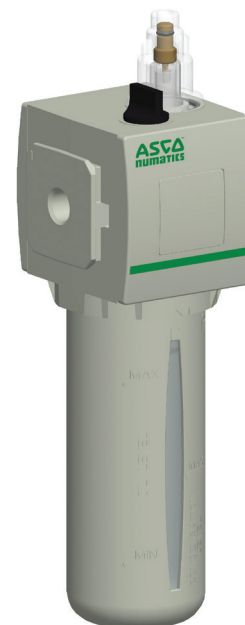


# LUBRICATOR

- Provides consistent reliable lubrication to the system
- Uses venture type technology to distribute the lubrication into the compressed air line
- Low flow is required to start lubrication
- Optional electronic liquid level indicator provides condition monitoring
- Allows fill while under pressure from fill port or bowl by removing the fill plug
- Recommended oil type: Non-detergent type and without aggressive additives (VG32 - ISO 3448)



Performance Data				
Series		651	652	653
Port sizes		1/8, 1/4	1/4, 3/8, 1/2	3/4, 1
Thread type		G (NPTF in option)		
Nominal flow - ISO 6358 P1 = 6,3 bar ΔP = 0,8 bar		l/min (ANR)		
	1/8	900	-	-
	1/4	1940	2780	-
	3/8	-	5000	-
	1/2	-	5100	-
	3/4	-	-	13000
Maximum pressure (bar)	Polycarbonate bowl	10		
	Aluminium bowl	10		16
Minimum flow for lubrication - (l/min)		4,5	20	240
Ambient temperature range (°C)		+5 to +50		
Fluid temperature range (°C)		+5 to +50		
Fluid		air or inert gas		
Bowl Capacity (cm <sup>3</sup> )		42	72	200
Fill Level Volume (ml)		45	90	200
Weight (kg)	w/Polycarbonate bowl	0,240	0,526	0,930
	w/Aluminium bowl	0,334	0,667	1,157

Materials in contact with fluid	
Body	Aluminium
Seals	NBR/FPM
Dome cover	Polycarbonate
Adjusting screw	Brass
Bowl	Polycarbonate or aluminium

01807GB-2018/R01  
Availability, design and specifications are subject to change without notice. All rights reserved.

SERIES

651

652

653



HOW TO ORDER

Lubricator

**G 651 A L 0 P 2 0 A00 0 0**

[Configurator - CAD Files](#)

Thread connection

- G = ISO 228/1-G <sup>(1)</sup>
- 8 = NPTF

Product series

- 651
- 652
- 653

Revision letter

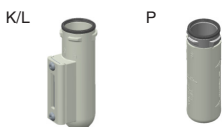
A

Product type

- L = Lubricator

Bowl Type

- K = Metal Bowl without Sight Gauge
- L = Metal bowl with sight gauge (glass)
- P = Polycarbonate bowl with bowl guard



Options <sup>(2)</sup>

- A00 = Without option
- 101 = Side Mounting Brackets
- 108 = Liquid Level Indicator - Electronic
- 109 = FPM seals
- 117 = ATEX zones 1-21
- 124 = CUTR Certification (EAC)
- 125 = CUTR Ex



Port size

- 1 = 1/8 (651 Series)
- 2 = 1/4 (651 or 652 Series)
- 3 = 3/8 (652 Series)
- 4 = 1/2 (652 Series)
- 5 = 3/4 (653 Series)
- 6 = 1 (653 Series)

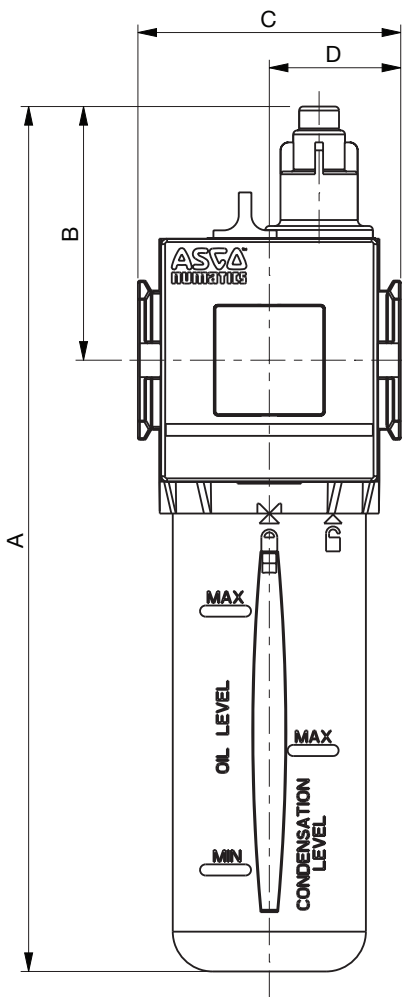
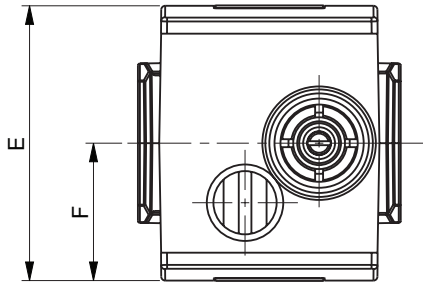
<sup>(1)</sup> Conforms to ISO standards 1179-1.

<sup>(2)</sup> If multiple options are required, please use the on-line CAD configurator on the website to generate the part number ([www.asco.com](http://www.asco.com)).

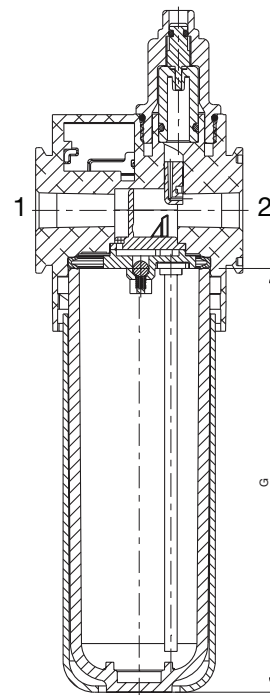
Dimensions: mm

Dimensional Drawing - 651/652/653 Series Lubricator

[Configurator - CAD Files](#)



Cross Section - 651/652/653 Series Lubricator



To remove bowl allow:  
651 Series - 20 mm  
652/653 Series - 25 mm  
from the bottom of the bowl.

Series	A	B	C	D	E	F	G
651	198	58	50	25	58	29	116
652	217	64	66	33	69	30,5	135
653	266	75	90	45	93	46,5	155

01807GB-2017/R02  
Availability, design and specifications are subject to change without notice. All rights reserved.



# SCATTERGOOD & JOHNSON LTD

ELECTRICAL ENGINEERING & FLUID CONTROL DISTRIBUTORS

Est.1899

At Scattergood & Johnson Ltd, we pride ourselves on being a technical distributor to specialist industries.

Working with a range of quality product suppliers across a number of specialist markets, we are not your average 'box shifter' - we are your technical and supply chain partner.

We fully support every product we sell - for free! Our internal team and external sales engineers can answer any product or application question, no matter the complexity.

Backing up this technical ability is a range of 50,000+ products available from stock for nationwide next day delivery (same day if required!), or you can collect what you need from any of our trade counters around the UK.

Select your specialist interest below to learn more about how we can help.



Online, In Branch and On the Road - Scattergood & Johnson Ltd, there when you need us.

# [www.scatts.co.uk](http://www.scatts.co.uk)