

SERIES

651

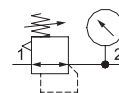
652

653

REGULATOR



- High flow with a wide range of adjustable output pressure ranges
- Flows in excess of 11500 l/min
- Maintains constant downstream pressure even during fluctuations in upstream pressure
- Optional extended temperature range of -40°C to +80°C
- Optional low profile integrated gauge, round gauge, digital gauge or digital pressure switch
- Key lockable and tamper resistant options
- Threaded ports allow for individual or modular mounting



Performance Data				
Series	651	652	653	
Port sizes	1/8, 1/4	1/4, 3/8, 1/2	3/4, 1	
Thread type	G (NPTF in option)			
Nominal flow - ISO 6358 P1 = 10 bar Setpoint P2 = 6,3 bar $\Delta P = 1$ bar	l/min (ANR)			
	1/8	800	-	-
	1/4	2060	4120	-
	3/8	-	6530	-
	1/2	-	7000	-
	3/4	-	-	10000
1	-	-	11500	
Maximum inlet pressure (bar) P1	16		20	
Adjustable pressure ranges (bar) P2	0,2 to 3			
	0,5 to 10			
	-	-	0,5 to 16 *	
Hysteresis (bar)	0,3	0,2	0,4	
Ambient temperature range (°C)	-20 to +50			
Fluid temperature range (°C)	-20 to +50			
Fluid	air or inert gas			
Weight (kg)	0,215	0,431	1,102 / 1,293 *	

* High pressure assisted version.

Materials in contact with fluid	
Body	Aluminium
Seals	NBR/FPM
Springs	Stainless steel
Poppet	Brass
Cover / Stem	PA (Polyamide)

All leaflets are available on: www.asco.com

12 - Air Preparation

HOW TO ORDER

Regulator

G 651 A R 0 0 2 G A00 H 0

[Configurator - CAD Files](#)

Thread connection

- G = ISO 228/1-G ⁽¹⁾
- 8 = NPTF

Product series

- 651
- 652
- 653

Revision letter

- A

Product type

- K = Regulator "Quick Relief Option" (652 only)
- R = Regulator ⁽²⁾
- W = Pilot Operated Regulator (652 only)

K/R

W

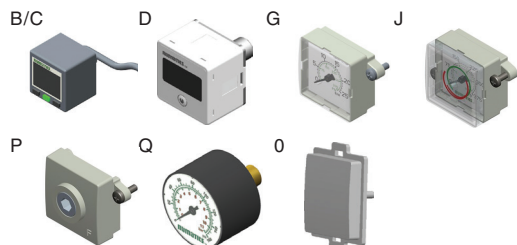


Port size

- 1 = 1/8 (651 Series)
- 2 = 1/4 (651 or 652 Series)
- 3 = 3/8 (652 Series)
- 4 = 1/2 (652 Series)
- 5 = 3/4 (653 Series)
- 6 = 1 (653 Series)

Gauge type

- B = Digital pressure switch - PNP
- C = Digital pressure switch - NPN
- D = Digital gauge
- G = Low profile integrated gauge bar/PSI
- J = Low profile integrated gauge bar/PSI with pressure range indicators
- Q = Round gauge bar/PSI
- 0 = No gauge port
- P = Port Plate Rc 1/8



Pressure range

- D = 0,2..3 bar
- H = 0,5..10 bar
- N = 0,5..16 bar (653 only)

Options ⁽³⁾

- A00 = Without option
- 101 = Side Mounting Brackets
- 102 = Panel Nut (651 or 652)
- 103 = Tamper resistant
- 104 = Key lockable
- 105 = High temperature (+80°C)
- 106 = Low temperature (-40°C) ⁽⁴⁾
- 109 = FPM seals
- 113 = Stainless steel fasteners
- 114 = Provision for key lock
- 117 = ATEX zones 1-21
- 119 = Panel Bracket with Panel Nut (651 or 652)
- 121 = Non-relieving
- 122 = Bottom oriented pressure adjustment
- 123 = Gauge type mounted for right-to-left flow
- 124 = CUTR Certification (EAC)
- 125 = CUTR Ex
- 202 = 105 + 109
- 2A9 = 105 + 106



01803GB-2017/R02 Availability, design and specifications are subject to change without notice. All rights reserved.

⁽¹⁾ Conforms to ISO standards 1179-1.

⁽²⁾ Relieving standard; use option 121 for non-relieving

⁽³⁾ [If multiple options are required, please use the on-line CAD configurator on the website to generate the part number \(www.asco.com\).](#)

⁽⁴⁾ Compressed air must be dry enough so no ice formation is present on the product.

SERIES

651

652

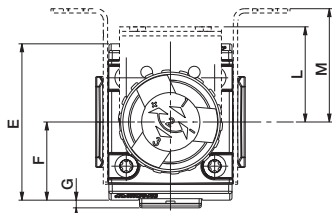
653



Dimensions: mm

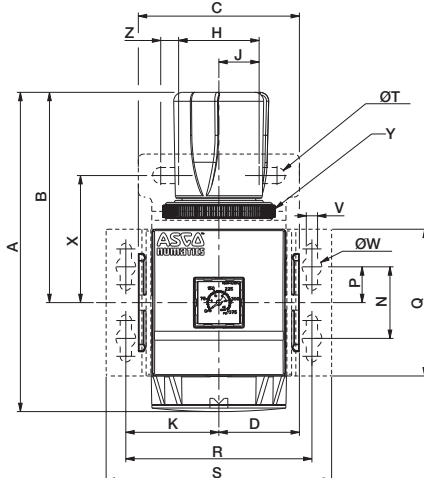
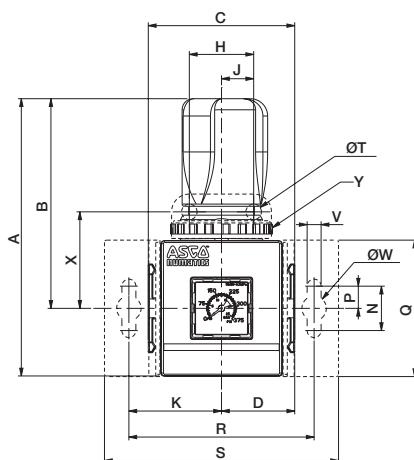
Dimensional Drawing - 651/652/653 Series Regulator

[Configurator - CAD Files](#)

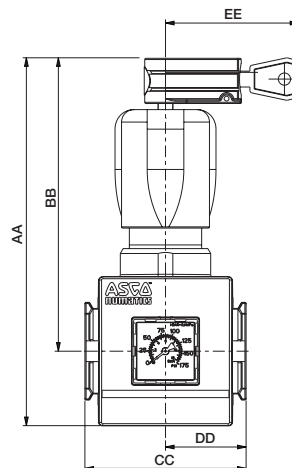


651/652 Series

653 Series

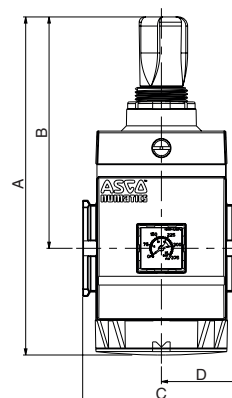


651/652/653 Series



Series	AA	BB	CC	DD	EE
651	121,5	96	50	25	54,6
652	151	120	66	33	55
653	192	137	90	45	55

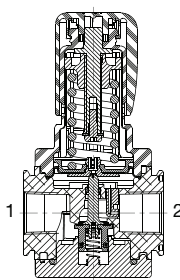
653 Series High Pressure Regulator (16 bar)



Series	A	B	C	D	E	F	G	H	J	K	L	M
651	103	77,5	50	25	58	29	3,4	29	14,5	35	42	44,5
652	125	94,5	66	33	69	34,5	2,5	29	14,5	41,75	42	50
653	178,4	117,5	90	45	93	46,5	3	45	22,5	52	60	62

Series	N	P	Q	R	S	ØT	V	ØW	X	Y	Y
651	20	10	50	70	92	7	6,3	11	39,1	M30 x 2	-
652	20	10	61,5	83,5	105,5	7	6,3	11	43,5	M37 x 2	-
653	40	20	82	104	126	9	6,3	11	71	M51 x 2	10

Cross Section - 651/652/653 Series Regulator

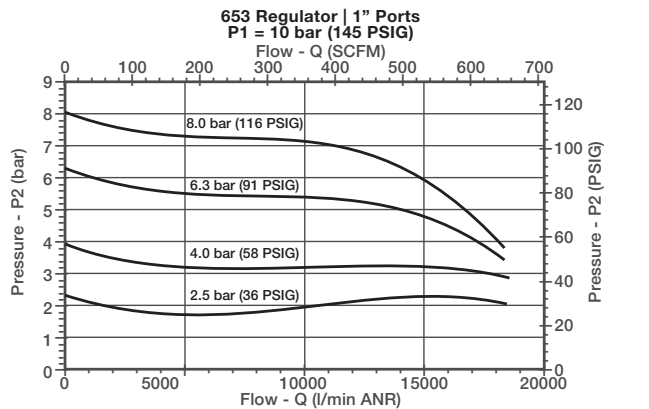
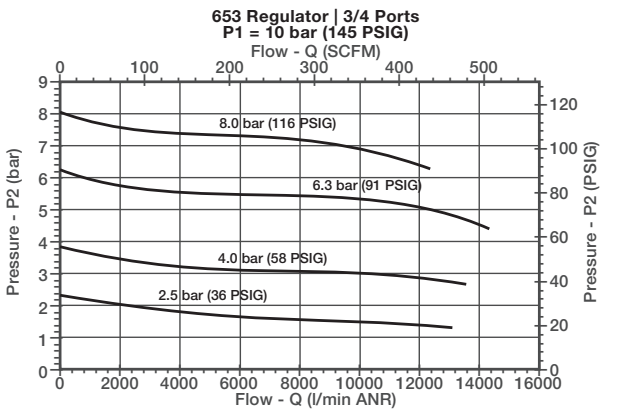
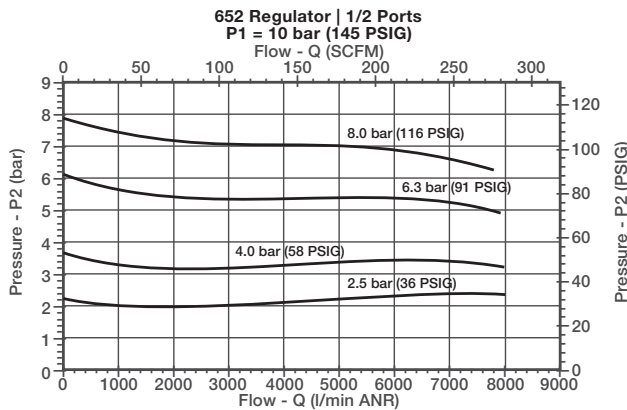
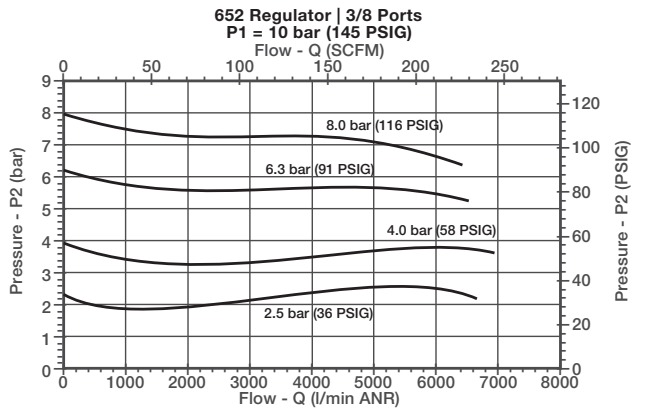
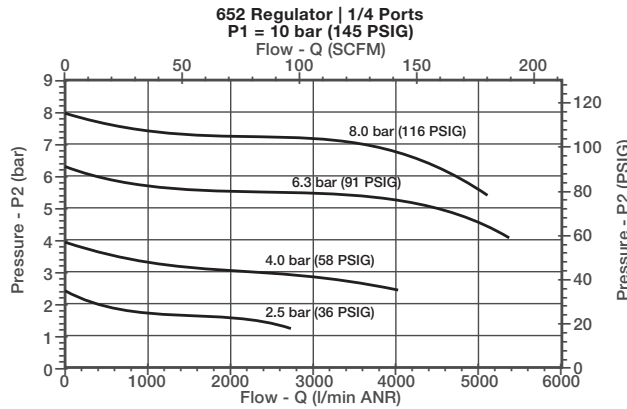
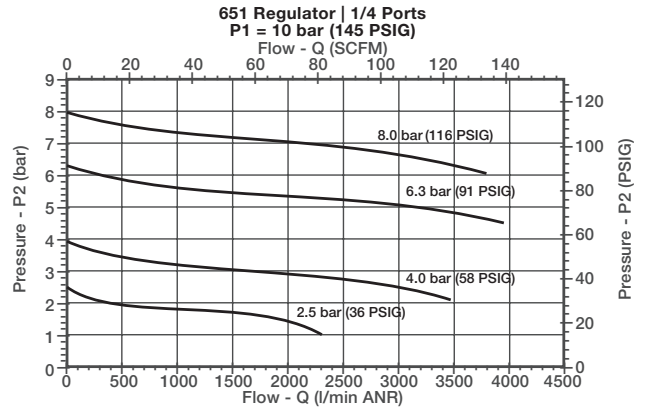
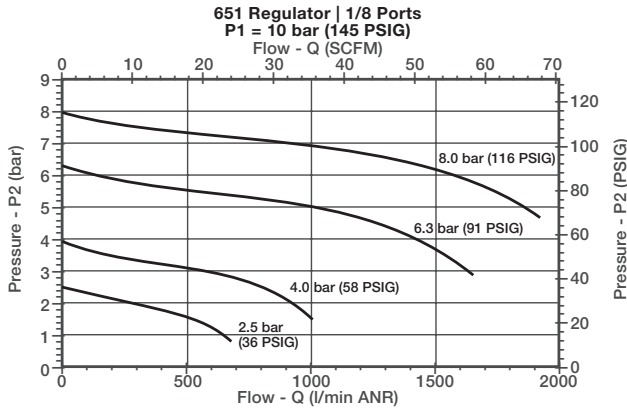


Series	A	B	C	D	E	F	G
653 High Pressure	193	132	90	45	93	46,5	3

All leaflets are available on: www.asco.com



Regulator Flow Charts



01803GB-2017/R02
 Availability, design and specifications are subject to change without notice. All rights reserved.

All leaflets are available on: www.asco.com



SCATTERGOOD & JOHNSON LTD

ELECTRICAL ENGINEERING & FLUID CONTROL DISTRIBUTORS

Est.1899

At Scattergood & Johnson Ltd, we pride ourselves on being a technical distributor to specialist industries.

Working with a range of quality product suppliers across a number of specialist markets, we are not your average 'box shifter' - we are your technical and supply chain partner.

We fully support every product we sell - for free! Our internal team and external sales engineers can answer any product or application question, no matter the complexity.

Backing up this technical ability is a range of 50,000+ products available from stock for nationwide next day delivery (same day if required!), or you can collect what you need from any of our trade counters around the UK.

Select your specialist interest below to learn more about how we can help.



Online, In Branch and On the Road - Scattergood & Johnson Ltd, there when you need us.

www.scatts.co.uk