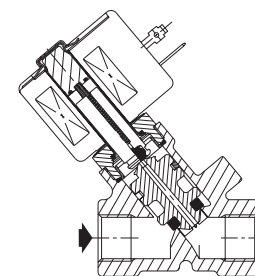


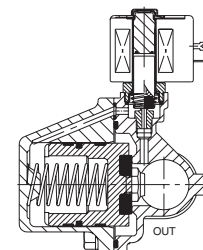
ASCO™ Solenoid Valves

Pilot Operated, Floating Diaphragm/Piston, 3/8" to 1" 1/2

- Two way shut-off valves for automatic control of air, inert gas, water, oil and other gases/liquids compatible with the seal materials used
- Heavy duty piston design for severe applications
- All products are covered by Pressure Equipment Directive 2014/68/EU and are suitable for group 1 and 2 fluids
- The solenoid valves satisfy all relevant EU directives



3/8 to 1



1 1/4 to 1 1/2

General

Differential pressure See «SPECIFICATIONS» [1 bar =100 kPa]
Maximum viscosity 65 cSt (mm²/s)
Response time 40 - 120 ms

fluids (*)	temperature range (TS)	seal materials (*)
air, inert gas, water, oil	-20°C to +90°C	NBR (nitrile) / PTFE

Materials in contact with fluid

(*) Ensure that the compatibility of the fluids in contact with the materials is verified

	Brass body	Stainless steel body
Body	Brass	AISI 304 SS
Shading coil	Copper	Silver
Core tube	Stainless steel	Stainless steel
Core and plugnut	Stainless steel	Stainless steel
Springs	Stainless steel	Stainless steel
Seat	Brass	Stainless steel
Seals and core disc	NBR	NBR
Piston	PPS / brass	PPS or brass
Piston disc	NBR or PTFE	NBR
Piston rings	PTFE (carbon filled)	PTFE (carbon filled)

Electrical characteristics

Coil insulation class F or H F
Connector Spade plug (cable Ø 6-10 mm) or cable leads, 0,35 m length (EF)
Connector specification ISO 4400 / EN 175301-803, form A
Electrical safety IEC 335
Electrical enclosure protection Moulded IP65 (EN 60529) or NEMA 3, 7, 9 (EF)
Standard voltages DC (=) : 24V - 48V
 AC (~) : 24V - 48V - 115V - 230V/50 Hz
 (Other voltages and 60 Hz on request)

prefix option	power ratings				operator ambient temperature range (TS) (C°)	replacement coil		type ⁽¹⁾
	inrush ~	holding ~		hot/cold =		~	=	
	(VA)	(VA)	(W)	(W)		230 V/50 Hz	24 V DC	
SC	34	15,6	6	-	-20 to +75	400325-117	-	01
	-	-	-	9/11,2	-20 to +75	-	400425-142	02
	78	35	16,7	-	-20 to +50	400425-217	-	02
	110	33,6	15,4	12/16,8	-20 to +75	400525-117	400625-142	03
	240	43	20	-	-20 to +50	400525-217	-	03
EF	-	-	-	21/30,6	-20 to +25	-	074073-005D	04

⁽¹⁾ Refer to the dimensional drawings on the following page.

Specifications

pipe size	orifice size	flow coefficient Kv		operating pressure differential (bar)						power coil (W)		Catalog number		options					
				min.	max. (PS)				brass					stainless steel	maintained man. operator	FPM	EPDM	CR	PTFE
					air (*)	water (*)	oil (*)	air (*)											
	(mm)	(m ³ /h)	(l/min)		~	=	~	=	~	=									
NC - Normally closed, PPS piston, NBR seals and discs																			
Rp 3/8	9	1,3	21,7	0,35	9	3	-	-	-	-	6	11,2	SCE210C073	-	MO	V	E	J	-
NPT 3/8				0,07	-	-	9	3	9	3	9	3	6	11,2	-	SCB210A036	MO	V	E
Rp 1/2	11	1,9	31,6	0,35	9	3	-	-	-	-	6	11,2	SCE210A015	-	MO	V	E	J	-
NPT 1/2				0,07	-	-	9	3	9	3	9	3	6	11,2	-	SCB210A037	MO	V	E

00043CB-2019/R02 Availability, design and specifications are subject to change without notice. All rights reserved.

Specifications

pipe size	orifice size (mm)	flow coefficient Kv (m³/h) (l/min)		operating pressure differential (bar)						power coil (W)		Catalog number		options					
				min.	max. (PS)			brass	stainless steel					maintained man. operator	FPM	EPDM	CR	PTFE	
					air (*)	water (*)	oil (*)												
NC - Normally closed, brass piston, NBR seals and PTFE disc																			
Rp 3/4	19	5,2	86,7	0	24	14	14	12	14	12	15,4	-	SCE210B026	-	MO	V	E	J	T
											-	30,6	EFE210B026 ⁽¹⁾	-	MO	V	E	J	T
Rp 1	25	11,6	193	0,7	20	16	20	14	20	14	16,7	16,8	SCE210B078	-	MO	-	-	-	-
Rp 1 1/4	28	12,8	214	0,7	20	16	20	14	20	14	16,7	16,8	SCE210B080	-	MO	-	-	-	-
Rp 1 1/2	32	19,3	322	0,7	20	16	20	14	20	14	16,7	16,8	SCE210B082	-	MO	-	-	-	-
NC - Normally closed, brass piston, NBR seals and discs																			
Rp 1	25	11,6	193	0	20	-	8	-	8	-	20	-	SCE210B027	-	MO	V	E	J	T

⁽¹⁾ Valve to be mounted with solenoid vertical and upright for DC.

Options

- Valves can also be supplied with FPM (fluoroelastomer), EPDM (ethylene-propylene), CR (chloroprene) and PTFE seals and discs. Use the appropriate optional suffix letter for identification
- Waterproof enclosure with embedded screw terminal coil according to protection class IP67, CEE-10
- Explosionproof enclosures for use in zones 1/21-2/22, categories 2-3 to ATEX Directive 2014/34/EU ⁽²⁾
- Electrical enclosures according to “NEMA” standards are available
- Compliance with “UL”, “CSA” and other local approvals available on request
- Mounting brackets, suffix MB (Except for: SCE210B078/B080/B082/B027)
- Other pipe connections are available on request
- Connector with visual indication and peak voltage suppression or with cable length of 2 m

⁽²⁾ Please consult the quick selection guide on potentially explosive atmospheres on Emerson.com/asco

Installation

- The solenoid valves can be mounted in any position without affecting operation, unless indicated otherwise in the specifications table.
- Stainless steel valves are standard supplied with mounting brackets
- Pipe connection identifier is E = Rp (ISO 7/1) or B = NPT (ANSI 1.20.3)
- Installation/maintenance instructions are included with each valve

Spare parts kit & Accessories

Catalog number	spare parts kit no.		mounting bracket no.
	~	=	
SCE210C073	C302271	C302371	093200-001
SCB210A036	C302327	C302421	093200-001
SCE210A015	C302275	C302374	100835-001
SCB210A037	C302326	C302422	100835-001
SCE210B026	C302278	-	038713-000
EFE210B026	-	C302377	038713-000
SCE210B078	C302281	C302380	-
SCE210B080	C302281	C302380	-
SCE210B082	C302285	C302384	-
SCE210B027	C302282	-	-

- Not available

Ordering examples:

SC	E	210	A015	230V / 50 Hz
SC	E	210	B026	MO 115V / 50 Hz
SC	B	210	A037	V 24V / DC
SC	E	210	B027	230V / 50 Hz

prefix — pipe thread — basic number — voltage — suffix

Ordering examples kits:

C302271 ⁽³⁾	
C302374	V
C302278	E

basic number — suffix

⁽³⁾ Standard prefixes/suffixes are also applicable to kits.

ASCO™ Solenoid Valves

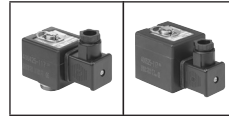
Series
210

Dimensions (mm), Weight (kg)



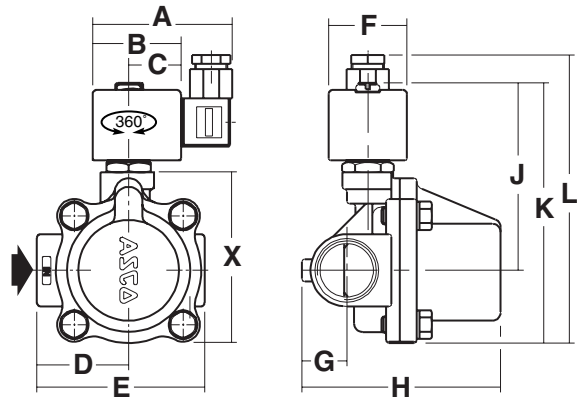
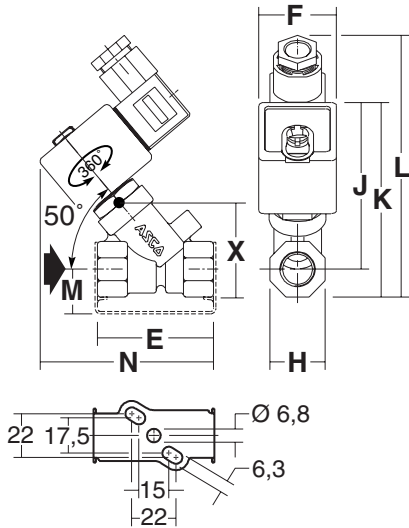
TYPE 01-02
Prefix "SC" Solenoid
Epoxy moulded
IEC 335 / ISO 4400
IP65

Type 01, AC: SCE210C073/A015 - SCB210A036/037
Type 02, DC: SCE210C073/A015 - SCB210A036/037



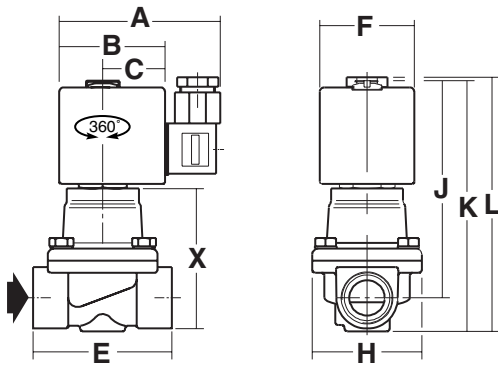
TYPE 02-03
Prefix "SC" Solenoid
Epoxy moulded
IEC 335 / ISO 4400
IP65

Type 02, AC: SCE210B078/B080/B082
Type 03, DC: SCE210B078/B080/B082



TYPE 03
Prefix "SC" Solenoid
Epoxy moulded
IEC 335 / ISO 4400
IP65

AC: SCE210B026/027



type	prefix option	Catalog number	A	B	C	D	E	F	G	H	J	K	L	M	N	X	weight ⁽¹⁾
01	SC	SCE210C073/A036	-	-	-	-	48	39	-	22	74	85	124	22	72	41	0,6
		SCE210A015/A037	-	-	-	-	58	39	-	28	82	95	128	22	89	47	0,6
02	SC	SCE210C073/A036	-	-	-	-	48	45	-	22	80	91	130	22	80	41	0,6
		SCE210A015/A037	-	-	-	-	58	45	-	28	82	95	128	22	93	47	0,6
		SCE210B078	80	50	30	55	95	45	45	108	55	154	149	-	-	95	2,8
		SCE210B080	80	50	30	52	95	45	30	119	108	149	166	-	-	117	3,0
03	SC	SCE210B082	80	50	30	52	111	45	33	148	112	162	179	-	-	108	4,2
		SCE210B078	86	56	33	55	95	50	50	108	55	154	152	-	-	95	2,8
		SCE210B080	86	56	33	52	95	50	30	119	114	156	156	-	-	97	3,0
		SCE210B082	86	56	33	52	111	50	33	148	118	165	165	-	-	110	4,2
		SCE210B026	86	56	33	-	74	50	-	59	117	133	135	-	-	76	1,3
		SCE210B027	86	56	33	-	100	50	-	33	50	83	143	-	-	84	2,5

⁽¹⁾ Incl. coil(s) and connector(s)

00043CB-2019/R02
Availability, design and specifications are subject to change without notice. All rights reserved.

Series
210

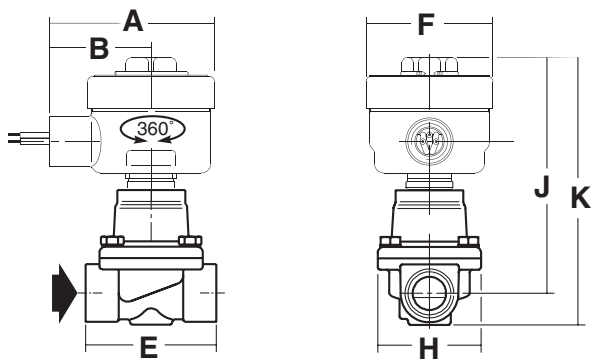
ASCO™ Solenoid Valves

Dimensions (mm), Weight (kg)



TYPE 04
Prefix "EF" Solenoid
Epoxy encapsulated
ICS-6 ANSI
NEMA type 3, 7, 9

DC: EFE210B026



type	prefix option	Catalog number	A	B	C	D	E	F	G	H	J	K	weight ⁽¹⁾
04	EF	EFE210B026	83	51	-	-	74	64	-	59	117	133	1,3

⁽¹⁾ Incl. coil

00043GB-2019/R02
Availability, design and specifications are subject to change without notice. All rights reserved.



SCATTERGOOD & JOHNSON LTD

ELECTRICAL ENGINEERING & FLUID CONTROL DISTRIBUTORS

Est.1899

At Scattergood & Johnson Ltd, we pride ourselves on being a technical distributor to specialist industries.

Working with a range of quality product suppliers across a number of specialist markets, we are not your average 'box shifter' - we are your technical and supply chain partner.

We fully support every product we sell - for free! Our internal team and external sales engineers can answer any product or application question, no matter the complexity.

Backing up this technical ability is a range of 50,000+ products available from stock for nationwide next day delivery (same day if required!), or you can collect what you need from any of our trade counters around the UK.

Select your specialist interest below to learn more about how we can help.



Online, In Branch and On the Road - Scattergood & Johnson Ltd, there when you need us.

www.scatts.co.uk