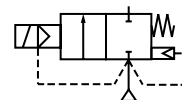




SOLENOID VALVES

normally closed, pilot operated
for hot water/steam applications
1/4 to 3/4

NC



2/2
Series
222

FEATURES

- The Y-bodied valves provide a high flow with relative small orifices
- The solenoid valves operate with a minimum ΔP of 0,07/0,15 bar
- The solenoid valves are constructed packless with a one-piece deepdrawn stainless steel core tube, ensuring safe separation of electrical and wetted moving parts
- The solenoid valves have forged brass bodies, compact design, to minimize heat radiation loss
- The solenoid valves satisfy all relevant EC directives

GENERAL

Differential pressure 0,07 - 10 bar [1 bar = 100 kPa]
Response times 75 - 100 ms

fluids (*)	temperature range (TS)	seal materials (*)
hot water and steam	0 to +165°C	PTFE PTFE reinforced



MATERIALS IN CONTACT WITH FLUID

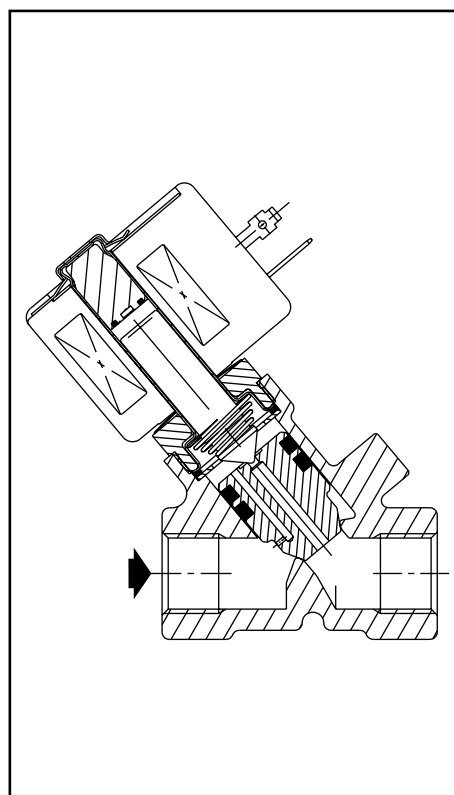
(*) Ensure that the compatibility of the fluids in contact with the materials is verified

Body	Brass
Core tube	Stainless steel
Core and plugnut	Stainless steel
Springs	Stainless steel
Seat	Stainless steel or brass
Seals	EPDM (ethylene propylene)
Piston ring	PTFE carbon filled
Piston / disc	PTFE or PTFE reinforced
Shading coil	Copper

ELECTRICAL CHARACTERISTICS

Coil insulation class	F
Connector	Spade plug (cable \varnothing 6-10 mm)
Connector specification	ISO 4400 / EN 175301-803, form A
Electrical safety	IEC 335
Standard voltages	DC (=) : not available
(Other voltages and 60 Hz on request)	AC (~) : 24V - 115V - 230V / 50 Hz

coil type	power ratings				ambient temperature range (TS) (°C)	protection
	inrush ~ (VA)	holding		= (W)		
		~ (VA)	(W)			
CM6-FT	34,0	15,6	6,0	-	-20 to +40	moulded IP65
CMXX-FT	55,0	23,0	10,5	-	-20 to +40	moulded IP65



SPECIFICATIONS

pipe size	orifice size (mm)	flow coefficient Kv (m³/h) (l/min)		operating pressure differential (bar)			max. fluid temp. (°C)	coil type	catalogue number	OPTIONAL			
				min.	maximum (PS)					FPM	EPDM	CR	PTFE
					steam (*)	water (1)(*)							
Rp	(mm)	(m³/h)	(l/min)				(°C)	~					
Stainless steel seat, EPDM seals, PTFE piston													
1/4	9,5	1,0	16,7	0,07	6	10	165	CM6-FT	SCE222A070				
3/8	9,5	2,2	36,7	0,07	6	10	165	CM6-FT	SCE222A074				
1/2	9,5	2,2	36,7	0,07	6	10	165	CM6-FT	SCE222A076				
Brass seat, EPDM seals, PTFE reinforced piston													
3/4	12,8	4,0	66,7	0,15	6	10	165	CMXX-FT	SCE222A049				

(1) Water temperature should not exceed 100°C

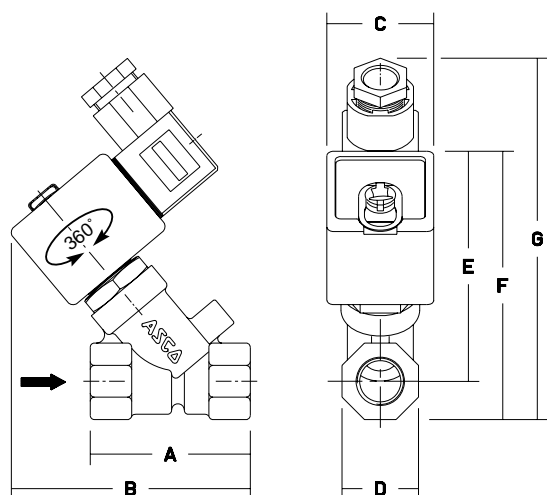
OPTIONS

- Waterproof enclosure with embedded screw terminal coil and Pg 13,5 cable gland to meet CEE 10 (IP67)
- Solenoid head "CSA" approved. Coils according to "CSA/SA" standards
- Compliance with "UL" and "CSA" standards
- Mounting brackets
- Plug with visual indication and peak voltage suppression or with cable length of 2m

INSTALLATION

- The solenoid valves can be mounted in any position without affecting operation
- Pipe thread identifier is: E = Rp (ISO 7/1)
- The third digit in the catalogue number indicates the standard pipe connection
- Other pipe threads are available on request
- Installation/maintenance instructions are included with each valve
- Spare Parts Kit and replacement coils are available

DIMENSIONS (mm), WEIGHT (kg)



catalogue number SCE222	A	B	C	D	E	F	G	weight (1)
A070 - A074 - A076	58	87	39	28	82	96	130	0,5
A049	70	103	48	33	93	113	145	0,8

(1) Approx. weight in kg incl. coil and connector

All leaflets are available on: www.ascojoucomatic.com



SCATTERGOOD & JOHNSON LTD

ELECTRICAL ENGINEERING & FLUID CONTROL DISTRIBUTORS

Est.1899

At Scattergood & Johnson Ltd, we pride ourselves on being a technical distributor to specialist industries.

Working with a range of quality product suppliers across a number of specialist markets, we are not your average 'box shifter' - we are your technical and supply chain partner.

We fully support every product we sell - for free! Our internal team and external sales engineers can answer any product or application question, no matter the complexity.

Backing up this technical ability is a range of 50,000+ products available from stock for nationwide next day delivery (same day if required!), or you can collect what you need from any of our trade counters around the UK.

Select your specialist interest below to learn more about how we can help.



Online, In Branch and On the Road - Scattergood & Johnson Ltd, there when you need us.

www.scatts.co.uk