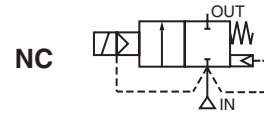




SOLENOID VALVES

pilot operated
for hot water/steam applications
3/8 to 1 1/2



2/2
Series
222

FEATURES

- Reliable control in low pressure, high flow systems
- Valves do not require a minimum operating pressure
- The solenoid valves are constructed packless with a one-piece deepdrawn stainless steel core tube, ensuring safe operation of electrical and wetted moving parts
- The valves have forged brass bodies, compact design, to minimize heat radiation loss
- Hung diaphragm construction
- The solenoid valves satisfy all relevant EU Directives

GENERAL

Differential pressure See «SPECIFICATIONS» [1 bar = 100 kPa]
Response time 15 - 60 ms

fluids (*)	temperature range (TS)	seal materials (*)
hot water, steam	- 20°C to + 130/150°C	EPDM (ethylene-propylene)

MATERIALS IN CONTACT WITH FLUID

(*) Ensure that the compatibility of the fluids in contact with the materials is verified

Body	Brass
Core tube	Stainless steel
Core and plugnut	Stainless steel
Springs	Stainless steel
Seat	Brass
Seal, diaphragm & disc	EPDM
Shading coil	Copper

ELECTRICAL CHARACTERISTICS

Coil insulation class	F
Connector	Spade plug (cable Ø 6-10 mm)
Connector specification	ISO 4400 / EN 175301-803, form A
Electrical safety	IEC 335
Electrical enclosure protection	Moulded IP65 (EN 60529)
Standard voltages	DC (=) : 24V - 48V AC (~) : 24V - 48V - 115V - 230V / 50 Hz

(Other voltages and 60 Hz on request)

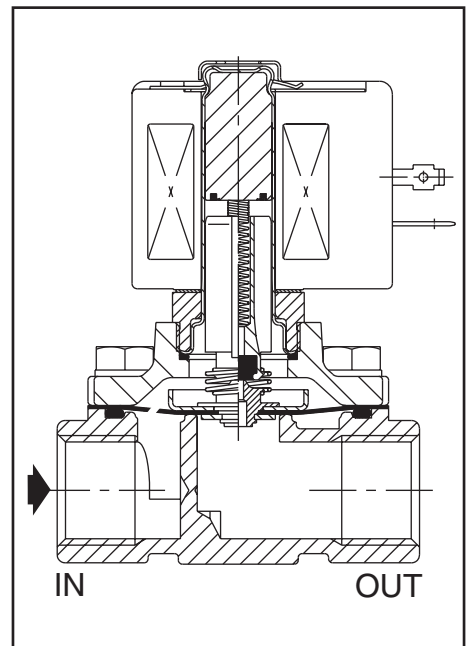
prefix option	power ratings			operator ambient temperature range (TS) (C°)	replacement coil		type ⁽¹⁾
	inrush ~	holding ~	hot/cold =		~	=	
	(VA)	(VA)	(W)		230 V/50 Hz	24 V DC	
SC	55	23	10,5	-	-	-	01
	110	33,6	15,4	12/16,8	-20 to + 40	400425-117 400525-117	02

⁽¹⁾ Refer to the dimensional drawings on the following page.

SPECIFICATIONS

pipe size	orifice size	flow coefficient Kv		min.	operating pressure differential (bar)				max. fluid temp. (°C)		power coil (W)		catalogue number
					max. (PS)								
					steam (*)		water (*) ⁽²⁾						
Rp	(mm)	(m³/h)	(l/min)		~	=	~	=	~	=	~	=	
NC - Normally closed													
3/8	16	2,6	43,3	0	3,5	3,5	-	-	150	150	10,5	16,8	SCE222B093
1/2	16	3,5	58,3	0	3,5	3,5	-	-	150	150	10,5	16,8	SCE222B094
3/4	19	4,3	71,1	0	3,5	3,5	-	-	150	150	10,5	16,8	SCE222B095
1	25	11,1	185	0	2	-	9	-	130	130	15,4	-	SCE222B154
1 1/4	28	12,8	213,3	0	2	-	9	-	130	130	15,4	-	SCE222B155
1 1/2	32	19,3	321,6	0	2	-	9	-	130	130	15,4	-	SCE222B156

⁽²⁾ Water temperature should not exceed 100°C.



OPTIONS

- Waterproof enclosure with embedded screw terminal coil according to protection class IP67, CEE-10
- Electrical enclosures according to "NEMA" standards are available
- Compliance with "UL", "CSA" and other local approvals available on request
- Mounting brackets (3/8, 1/2 and 3/4 only), suffix MB
- Other pipe connections are available on request
- Connector with visual indication and peak voltage suppression or with cable length of 2 m (www.asco.com)

INSTALLATION

- The solenoid valves can be mounted in any position without affecting operation
- Pipe connection identifier is E = Rp (ISO 7/1)
- Installation/maintenance instructions are included with each valve

SPARE PARTS KIT & ACCESSORIES

catalogue number	spare parts kit no.		mounting bracket no.
	~	=	
SCE222B093/094	C304031	C132654	038713-000
SCE222B095	C123858	C132655	038713-000
SCE222B154/155	C133839	-	-
SCE222B156	C133840	-	-

- Not available.

ORDERING EXAMPLES:

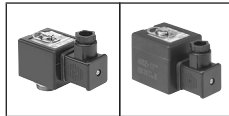
SC	E	222	B	093	230V / 50 Hz
SC	E	222	B	154	115V / 50 Hz
SC	E	222	B	094	24V / DC
SC	E	222	B	155	230V / 50 Hz

prefix — pipe thread — basic number — voltage — suffix

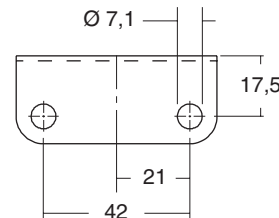
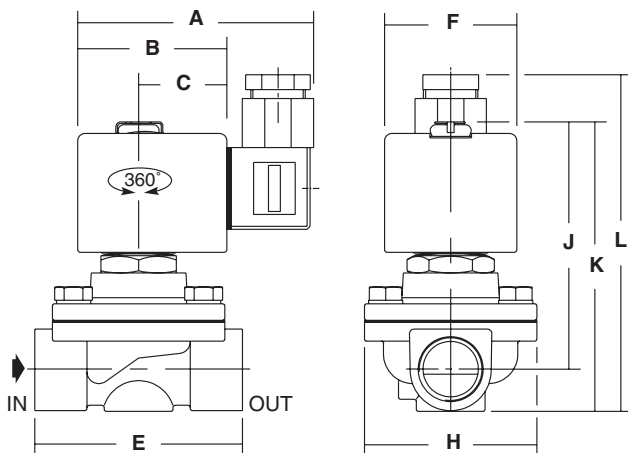
ORDERING EXAMPLES KITS:

	C304031	
	C132654	

basic number — suffix

DIMENSIONS (mm), WEIGHT (kg)

TYPE 01-02

Prefix "SC" Solenoid
 Epoxy moulded
 IEC 335 / ISO 4400
 IP65

Type 01 (AC): SCE222B093/094/095
Type 02 (DC): SCE222B093/094/095
(AC): SCE222B154/155/156


Mounting brackets
 for valves:
 SCE222B093
 SCE222B094
 SCE222B095

type	prefix option	catalogue number	A	B	C	E	F	H	J	K	L	weight ⁽¹⁾
01	SC	SCE222B093/094	80	50	30	70	45	58	84	96	113	1,2
		SCE222B095	80	50	30	71	45	58	87	104	121	1,3
		SCE222B093/094	86	56	33	70	50	58	91	103	105	1,4
02	SC	SCE222B095	86	56	33	71	50	58	94	111	113	1,5
		SCE222B154	86	56	33	95	50	83	110,5	131	132	2,0
		SCE222B155	86	56	33	95	50	83	117	141,5	142,5	2,0
		SCE222B156	86	56	33	111	50	99	122,5	151	152	2,6

⁽¹⁾ including coil and connector.

 All leaflets are available on: www.asco.com
10 - Hot Water & Steam



SCATTERGOOD & JOHNSON LTD

ELECTRICAL ENGINEERING & FLUID CONTROL DISTRIBUTORS

Est.1899

At Scattergood & Johnson Ltd, we pride ourselves on being a technical distributor to specialist industries.

Working with a range of quality product suppliers across a number of specialist markets, we are not your average 'box shifter' - we are your technical and supply chain partner.

We fully support every product we sell - for free! Our internal team and external sales engineers can answer any product or application question, no matter the complexity.

Backing up this technical ability is a range of 50,000+ products available from stock for nationwide next day delivery (same day if required!), or you can collect what you need from any of our trade counters around the UK.

Select your specialist interest below to learn more about how we can help.



Online, In Branch and On the Road - Scattergood & Johnson Ltd, there when you need us.

www.scatts.co.uk