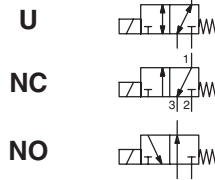




SOLENOID VALVES

direct operated
in-line
1/8-1/4



3/2
Series
320

FEATURES

- Compact three way solenoid valves with orifice and pipe connection in valve body
- Valves are designed to handle relatively high pressure 3-way applications
- Valves do not require a minimum operating pressure
- The solenoid valves satisfy all relevant EU directives

GENERAL

Differential pressure See «SPECIFICATIONS» [1 bar =100 kPa]
Maximum viscosity 65 cSt (mm²/s)
Response time 5 - 25 ms

fluids (*)	temperature range (TS)	seal materials (*)
air, inert gas, water, oil	-20°C to +90°C	NBR (nitrile)
	-20°C to +40°C	UR (cast urethane)

MATERIALS IN CONTACT WITH FLUID

(*) Ensure that the compatibility of the fluids in contact with the materials is verified

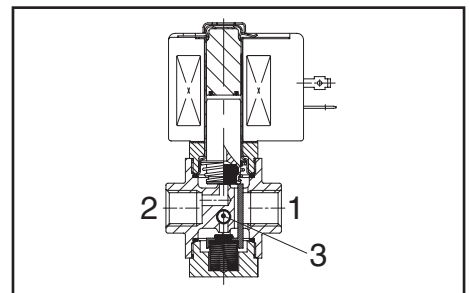
	Brass body	Stainless steel body
Body	Brass	AISI 303 SS
Core tube	Stainless steel	Stainless steel
Core and plugnut	Stainless steel	Stainless steel
Springs	Stainless steel	Stainless steel
Seat	Brass	Stainless steel
Seals	NBR	NBR
Disc	NBR or UR	NBR or UR
Disc holder & core guide	POM	POM
Shading coil	Copper	Silver

ELECTRICAL CHARACTERISTICS

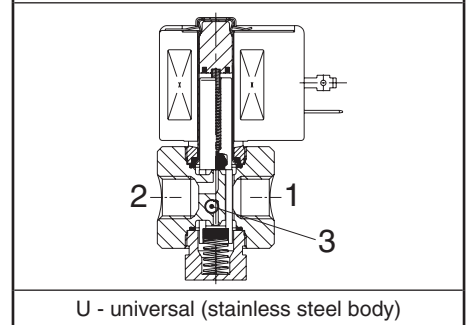
Coil insulation class F
Connector Spade plug (cable Ø 6-10 mm)
Connector specification ISO 4400 / EN 175301-803, form A
Electrical safety IEC 335
Electrical enclosure protection Moulded IP65 (EN 60529)
Standard voltages DC (=) : 24V - 48V
 AC (~) : 24V - 48V - 115V - 230V / 50 Hz
 (Other voltages and 60 Hz on request)

prefix option	power ratings				operator ambient temperature range (TS) (C°)	replacement coil		type ⁽¹⁾
	inrush ~	holding ~		hot/cold =		~	=	
	(VA)	(VA)	(W)	(W)		230 V/50 Hz	24 V DC	
SC	34	15,6	6	7 / 9,7	-20 to +75	400325-117	400325-142	01
	30	22,5	9	-	-20 to +50	400325-217	-	01
	55	23	10,5	9/11,2	-20 to +75	400425-117	400425-142	02
	78	35	16,7	-	-20 to +50	400425-217	-	02

⁽¹⁾ Refer to the dimensional drawings on the following page



U - universal (brass body)



U - universal (stainless steel body)

SPECIFICATIONS

pipe size	orifice size (mm)	flow coefficient Kv (m ³ /h) (l/min)		operating pressure differential (bar)						power coil (W)		catalogue number		options									
				min.	max. (PS)			min.	max.					min.	max.	brass	stainless steel	maintained man. operator impulse	min. operator ⁽²⁾	FPM	EPDM	CR	PTFE
					air (*)	water (*)	oil (*)																
U - Universal, NBR seals and UR discs																							
1/8	1,2	0,05	0,83	0	12	9	12	9	12	9	9	9,7	SCB320B130	-	MS	MO	V	E	-	T			
						-	-	-	-	-	-	-	-	SCB320A140	-	MS	MO	-	-	-	-	T	
1/4	0,8	0,02	0,33	0	27	19	28	21	28	21	16,7	11,2	SCB320A170	-	MS	MO	-	-	-	T			
U - Universal, NBR seals and discs																							
1/4	1,6	0,08	1,3	0	7	4	7	4	7	4	10,5	11,2	SCB320A172	-	MS	MO	V	E	J	T			
					7	4,5	7	4,5	7	4,5	9	9,7	-	SCB320-057	MS	MO	V	E	J	T			
	2,4	0,1	1,7	0	7	4	7	4	7	4	16,7	11,2	SCB320B174	-	MS	MO	V	E	J	T			
					7	4,5	7	4,5	7	4,5	16,7	11,2	-	SCB320A200	MS	MO	V	E	J	T			
	3,2	0,18	3	0	3	3	3	3	3	3	6	9,7	-	SCB320-059	MS	MO	V	E	J	T			
					3,5	1,7	3,5	1,7	3,5	1,7	16,7	11,2	-	SCB320A201	MS	MO	V	E	J	T			
	4,4	0,21	3,5	0	2	1,5	2	1,5	2	1,5	9	9,7	SCB320B176	-	MS	MO	V	E	J	T			
					2	1,5	2	1,5	2	1,5	9	9,7	-	SCB320-061	MS	MO	V	E	J	T			
	4,4	0,27	4,5	0	1,5	0,8	1,5	0,8	1,5	0,8	10,5	11,2	SCB320A178	-	MS	MO	V	E	J	T			
					1,5	0,8	1,5	0,8	1,5	0,8	10,5	11,2	-	MS	MO	V	E	J	T				

⁽²⁾ Maximum pressure rating limited for MO to 17 bar.

00070GB-2018/R01 Availability, design and specifications are subject to change without notice. All rights reserved.

SPECIFICATIONS

pipe size	orifice size (mm)	flow coefficient Kv (m ³ /h) (l/min)		operating pressure differential (bar)								power coil (W)		catalogue number		options							
				min.	max. (PS)						brass					stainless steel	maintained man. operator	impulse man. operator ⁽²⁾	FPM	EPDM	CR	PTFE	
					air (*)	water (*)	oil (*)	~	=	~													=
NC - Normally closed, NBR seals and UR discs																							
1/8	1,2	0,05	0,83	0	20	17	20	17	20	17	9,0	9,7	SCB320B134	SCB320A144	MS	MO	-	-	-	T			
1/4	0,8	0,02	0,33	0	50	35	50	35	50	35	16,7	11,2	SCB320A180	-	MS	MO	V	-	-	T			
NC - Normally closed, NBR seals and disc																							
1/4	1,6	0,08	1,3	0	15	11	15	11	15	11	16,7	11,2	SCB320A182	-	MS	MO	V	E	J	T			
					9	9	9	9	9	9	6,0	9,7	-	SCB320-063	MS	MO	V	E	J	T			
	2,4	0,10	1,7	0	8	4,5	8	4,5	8	4,5	9,0	9,7	-	SCB320-093	MS	MO	V	E	J	T			
					10	8	10	8	10	8	10,5	11,2	SCB320A184	SCB320A202	MS	MO	V	E	J	T			
	3,2	0,18	3,0	0	6	4,5	6	4,5	6	4,5	10,5	11,2	-	SCB320A203	MS	MO	V	E	J	T			
					0,21	3,5	0	6	4	6	4	6	4	10,5	11,2	SCB320A186	-	MS	MO	V	E	J	T
					0,27	4,5	0	3	3	3	3	3	3	6,0	9,7	-	SCB320-065	MS	MO	V	E	J	T
	4,4	0,30	5,0	0	3	1,7	3	1,7	3	1,7	10,5	11,2	SCB320A188	-	MS	MO	V	E	J	T			
	NO - Normally open, NBR seals and UR disc																						
	1/8	1,2	0,05	0,83	0	20	17	20	17	20	17	9,0	9,7	SCB320B138	SCB320A148	MS	MO	-	-	-	T		
1/4	0,8	0,02	0,33	0	55	40	55	40	55	40	16,7	11,2	SCB320A190	-	MS	MO	-	-	-	T			
NO - Normally open, NBR seals and disc																							
1/4	1,6	0,08	1,3	0	16	11	17	11	17	11	16,7	11,2	SCB320A192	-	MS	MO	V	E	J	T			
					9	9	9	9	9	9	6,0	9,7	-	SCB320-067	MS	MO	V	E	J	T			
	2,4	0,10	1,7	0	8	4,5	8	4,5	8	4,5	9,0	9,7	-	SCB320-095	MS	MO	V	E	J	T			
					10	7	10	7	10	7	10,5	11,2	SCB320A194	SCB320A204	MS	MO	V	E	J	T			
	3,2	0,18	3,0	0	5	4	5	4	5	4	10,5	11,2	-	SCB320A205	MS	MO	V	E	J	T			
					0,21	3,5	0	5	4	5	4	5	4	10,5	11,2	SCB320A196	-	MS	MO	V	E	J	T
					0,27	4,5	0	3	3	3	3	3	3	6,0	9,7	-	SCB320-069	MS	MO	V	E	J	T
	4,4	0,30	5,0	0	3	2	3	2	3	2	10,5	11,2	SCB320A198	-	MS	MO	V	E	J	T			

⁽²⁾ Maximum pressure rating limited for MO to 17 bar.

OPTIONS

- Valves can also be supplied with FPM (fluoroelastomer), EPDM (ethylene-propylene), CR (chloroprene) and PTFE seals and discs. Use the appropriate optional suffix letter for identification
- Waterproof enclosure with embedded screw terminal coil according to protection class IP67, CEE-10
- Explosionproof enclosures for use in zones 1/21-2/22, categories 2-3 to ATEX Directive 2014/34/EU (www.asco.com)
- Electrical enclosures according to "NEMA" standards are available
- Compliance with "UL", "CSA" and other local approvals available on request
- Mounting brackets for brass body valves, suffix MB
- Other pipe connections are available on request
- Connector with visual indication and peak voltage suppression or with cable length of 2 m (www.asco.com)

INSTALLATION

- The solenoid valves can be mounted in any position without affecting operation
- Brass valves have 2 mounting holes in body
- Stainless steel valves are standard supplied with mounting brackets
- Pipe connection identifier is B = NPT (ANSI 1.20.3)
- Installation/maintenance instructions are included with each valve

SPARE PARTS KIT & ACCESSORIES

catalogue number	spare parts kit no.		mounting bracket no.
	~	=	
SCB320B130	C302084	C302190	160800
SCB320A140	C302086	C302206	⁽³⁾
SCB320A170	C302112	C302200	160800
SCB320A172	C302114	C302201	160800
SCB320-057	C302102	C302212	⁽³⁾
SCB320B174/B176	C302116	C302201	160800
SCB320A200	C302189	C302190	⁽³⁾
SCB320-059	C302106	C302212	⁽³⁾
SCB320A201	C312189	C312190	⁽³⁾
SCB320-061	C302110	C302213	⁽³⁾
SCB320A178	C302118	C302202	160800
SCB320B134	C302124	C302217	160800
SCB320A144	C302126	C302235	⁽³⁾
SCB320A180	C302140	C302226	160800
SCB320A182	C302141	C302227	160800

ORDERING EXAMPLES:

SC	B	320	A	170	230V / 50 Hz
SC	B	320	A	194	MS 115V / 50 Hz
SC	B	320	A	184	V 24V / DC
SC	B	320	A	144	T 230V / 50 Hz

prefix _____
 pipe thread _____
 basic number _____
 voltage _____
 suffix _____

ORDERING EXAMPLES KITS:

C302183 ⁽¹⁾	
C302142	V
C302192	E

basic number _____
 suffix _____

All leaflets are available on: www.asco.com

SPARE PARTS KIT & ACCESSORIES

catalogue number	spare parts kit no.		mounting bracket no.
	~	=	
SCB320-063	C302150	C302240	162950-001 ⁽³⁾
SCB320-093	C302151	C302240	162950-001 ⁽³⁾
SCB320A184	C302142	C302227	160800
SCB320A202/A203	C312191	C312192	162950-001 ⁽³⁾
SCB320A186	C302143	C302228	160800
SCB320-065	C302152	C302241	162950-001 ⁽³⁾
SCB320A188	C302144	C302229	160800
SCB320B138	C302157	C302245	160800
SCB320A148	C302163	C302261	162950-001 ⁽³⁾
SCB320A190	C302182	C302254	160800
SCB320A192	C302183	C302255	160800
SCB320-067	C302176	C302266	162950-001 ⁽³⁾
SCB320-095	C302177	C302266	162950-001 ⁽³⁾
SCB320A194/A196	C302184	C302255	160800
SCB320A204	C312193	C312194	162950-001 ⁽³⁾
SCB320A205	C312193	-	162950-001 ⁽³⁾
SCB320-069	C302178	C302267	162950-001 ⁽³⁾
SCB320A198	C302185	C302256	160800

⁽¹⁾ Standard prefixes/suffixes are also applicable to kits.

⁽³⁾ Mounting bracket supplied standard with valve.

- Not available

DIMENSIONS (mm), WEIGHT (kg)



TYPE 01

Prefix "SC" Solenoid
Epoxy moulded
IEC 335 / ISO 4400
IP65

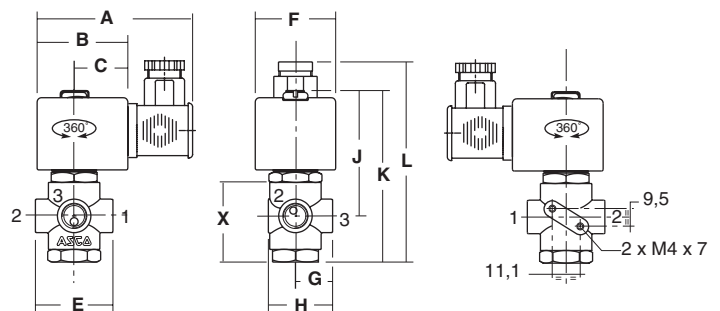
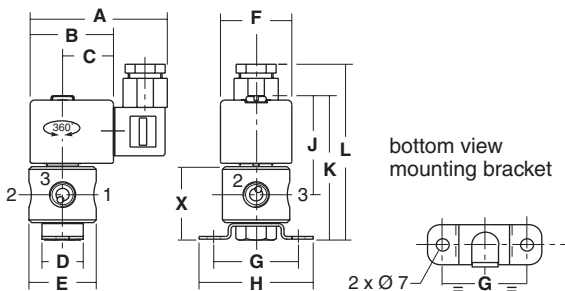
SCB320-057/-059/-061/-063/-093/-065
/-067/-095/-069



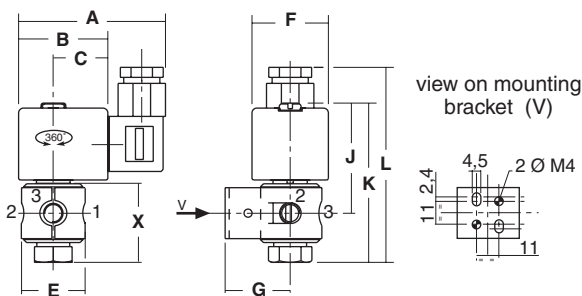
TYPE 02

Prefix "SC" Solenoid
Epoxy moulded
IEC 335 / ISO 4400
IP65

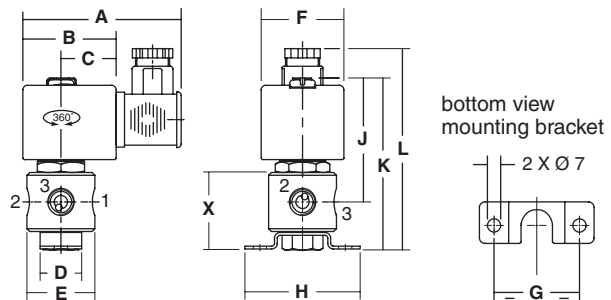
SCB320A170/A172/B174/B176/A178/A180/A182/A184/A186/
A188/A190/A192/A194/A196/A198



SCB320130/B134/B138/A140/A144/A148



SCB320A200/A201/A202/A203/A204/A205



type	prefix option	catalogue number	A	B	C	D	E	F	G	H	J	K	L	X	weight ⁽⁴⁾
01	SC	SCB320-057/-059/-061/-063/-093/-065/-067/-095/-069	75	45	27	22	36	39	46	62	58	82	96	42	0,54
		SCB320B130/B134/B138/A140/A144/A148	75	45	27	-	39	39	33	-	56	79	95	34	0,40
02	SC	SCB320A170/A172/B174/B176/A178/A180/A182/A184/A186/A188/ A190/A192/A194/A196/A198	80	50	30	-	43	45	21	36	70	96	108	45	0,57
		SCB320A200/A201/A202/A203/A204/A205	80	50	30	22	40	45	46	62	69	94	111	45	0,67

⁽⁴⁾ Incl. coil(s) and connector(s).

All leaflets are available on: www.asco.com





SCATTERGOOD & JOHNSON LTD

ELECTRICAL ENGINEERING & FLUID CONTROL DISTRIBUTORS

Est.1899

At Scattergood & Johnson Ltd, we pride ourselves on being a technical distributor to specialist industries.

Working with a range of quality product suppliers across a number of specialist markets, we are not your average 'box shifter' - we are your technical and supply chain partner.

We fully support every product we sell - for free! Our internal team and external sales engineers can answer any product or application question, no matter the complexity.

Backing up this technical ability is a range of 50,000+ products available from stock for nationwide next day delivery (same day if required!), or you can collect what you need from any of our trade counters around the UK.

Select your specialist interest below to learn more about how we can help.



Online, In Branch and On the Road - Scattergood & Johnson Ltd, there when you need us.

www.scatts.co.uk