

# ASCO™ Spool Valves

single/dual solenoid (mono/bistable function) - pilot operated or air operated  
aluminium body - "NAMUR" style - 1/4 and 1/2 tapped

3/2 NC - 5/2 - 5/3  
SERIES  
551 - 553

## Features

- The monostable spool valves in conformity with IEC 61508 Standard (2010 route 2<sub>H</sub> version) have TÜV (551 series) and EXIDA (551-553 series) certified with integrity levels: SIL 2 for HFT = 0 / SIL 3 for HFT = 1
- The spool valves have threaded port connections and "NAMUR" style interface
- The same spool valve can be adapted for 3/2 NC or 5/2 functions for controlling double-acting and single-acting actuators
- All the exhaust ports of the spool valve are connectable, providing better environmental protection. Particularly recommended for sensitive areas, such as clean rooms, and applications in the pharmaceutical and food processing sectors
- The valves offer environmental protection against the ingress of liquids, dusts or other foreign matter (environmentally-protected construction)
- The valves offer environmental protection against the ingress of liquids, dusts or other foreign matter (environmentally-protected construction)
- Epoxy moulded coil for general service applications
- The solenoid valves satisfy all relevant EU Directives

## General

Differential pressure 2 - 10,4 bar [1 bar = 100 kPa]  
Flow (Qv at 6 bar) 1/4 = 700 l/min (ANR)  
1/2 = 3000 l/min (5/2, 5/3)

fluids (*)	temperature range (TS)	seal materials (*)
air, inert gas, filtered	-25°C to +60°C	NBR (nitrile) + PUR (polyurethane)

## Materials in contact with fluid

(\*) Ensure that the compatibility of the fluids in contact with the materials is verified

Body, end cover	Aluminium, black anodized
End cover (spring return)	Glass fibre filled PA
Interface plates	Glass fibre filled PA
Spool valve internal parts	Zamak, stainless steel, POM, aluminium
Seals	NBR + PUR
Core tube	Brass
Core and plugnut	Stainless steel
Shading coil	Copper

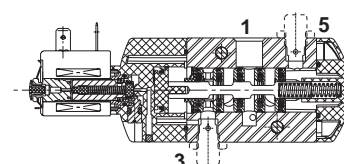
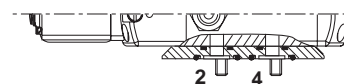
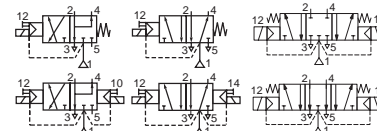
## Air operated specifications

pipe size	orifice size	flow coefficient Kv		operating pressure differential (bar)		prefix optional	basic catalogue number
				min..	max. (PS) air (*)		
(*)	(mm)	(m <sup>3</sup> /h)	(l/min)				
<b>3/2 NC - 5/2 - Air pilot operated - spring return (monostable)</b>							
1/4	6	0,75	12,5	2	10	-	❖551A101 <sup>(1)</sup>
1/2	13	3,15	52,5	2	10	-	❖553A101 <sup>(1)</sup>
<b>3/2 NC - 5/2 - Air pilot operated and return (bistable)</b>							
1/4	6	0,75	12,5	2	10	-	❖551A102
1/2	13	3,15	52,5	2	10	-	❖553A102

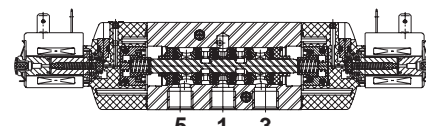
## Pilot operated specifications

pipe size	orifice size	flow coefficient Kv		operating pressure differential (bar)		power level	prefix optional solenoids				basic catalogue number		
							min.	max. (PS) air (*)	NEMA 7 & 9	ATEX / IECEx		IP65	
										~			=
(*)	(mm)	(m <sup>3</sup> /h)	(l/min)			~/=	EF <sup>(2)</sup>	WBLP	PV	SC			
<b>3/2 NC - 5/2 - Solenoid air pilot operated - spring return (monostable)</b>													
1/4	6	0,6	10	2	10	10	RP	-	●	-	●	❖551A001 <sup>(1)</sup>	
							BP	●	-	-	-	❖551G001 <sup>(1)</sup>	
							RP	-	-	●	-	X❖551A001 20787 <sup>(1)</sup>	
1/2	13	2,49	41,5	2	10	10	RP-BP	-	●	●	●	❖553A001 <sup>(1)</sup>	
							BP	●	-	-	-	❖553G001 <sup>(1)</sup>	

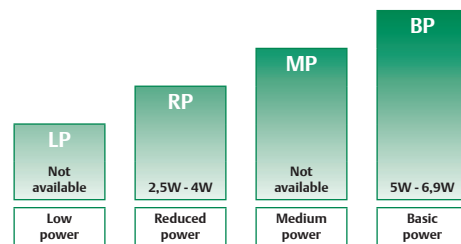
❖ Select 8 for NPT ANSI 1.20.3 or select G for ISO G (228/1) ● Available feature - Not available  
<sup>(1)</sup> Certified IEC 61508 Functional Safety data, use suffix "SL".  
<sup>(2)</sup> UL CSA



3/2 NC - 5/2 function



5/3 function



POWER LEVELS - cold electrical holding values (watt)

**3/2 NC - 5/2 - 5/3  
SERIES  
551 - 553**

**Pilot operated specifications**

pipe size	orifice size	flow coefficient Kv		operating pressure differential (bar)			power level	prefix optional solenoids				basic catalogue number
								min.	max. (PS)		NEMA 7 & 9	
				air (*)		EF <sup>(1)</sup>			Ex e mb WBLP	Ex mb PV		
(*)	(mm)	(m <sup>3</sup> /h)	(l/min)		~	=	~/=	EF <sup>(1)</sup>	WBLP	PV	SC	
<b>3/2 NC - 5/2 - Solenoid air pilot operated and return (bistable)</b>												
1/4	6	0,6	10	2	10	10	RP	-	●	-	●	❖551A002
							BP	●	-	-	-	❖551G002
							RP	-	-	●	-	X❖551A002 20787
1/2	13	2,49	41,5	2	10	10	RP-BP	-	●	●	●	❖553A002
							BP	●	-	-	-	❖553G002
<b>5/3 - W1 - pressure held, solenoid air pilot operated and return</b>												
1/4	6	0,6	10	2	10	10	RP	-	●	-	●	❖551A065
							RP	-	-	●	-	X❖551A065 20787
1/2	13	2,49	41,5	2	10	10	RP-BP	-	●	●	●	❖553A065
<b>5/3 - W3 - pressure release, solenoid air pilot operated and return</b>												
1/4	6	0,6	10	2	10	10	RP	-	●	-	●	❖551A066
							RP	-	-	●	-	X❖551A066 20787
1/2	13	2,49	41,5	2	10	10	RP-BP	-	●	●	●	❖553A066

❖ Select 8 for NPT ANSI 1.20.3 or select G for ISO G (228/1) ● Available feature - Not available  
<sup>(1)</sup> UL CSA

**Prefix table**

prefix							description	power level			
1	2	3	4	5	6	7		LP	RP	MP	BP
E	F						Explosionproof - NEMA 7, 9 - Zinc plated steel conduit (18" continuous leads)	-	-	-	●
E	F	H	T				EF (18" continuous leads) + high temperature	-	-	-	●
E	F	H	T	L			EF + high temperature + 72" continuous leads	-	-	-	●
E	F	L					EF + 72" continuous leads	-	-	-	●
J	B	E	F				EF + Junction box (conduit in 1/2" NPT)	-	-	-	●
J	B	E	F	M	F		EF + Junction box (conduit in 1/2" NPT) + surge suppression coils	-	-	-	●
J	C	E	F				EF + Junction box (conduit in 3/4" NPT)	-	-	-	●
J	C	E	F	H	T		EF + Junction box (conduit in 3/4" NPT) + high temperature	-	-	-	●
P	V						Encapsulated epoxy moulded (EN/IEC 60079-18)*	-	●	-	●
W	B	L	P				I.S./encapsulation with PBT IP67 enclosure (EN/IEC 60079-7, -18, -31)*	-	●	-	-
S	C						Solenoid with spade plug connector (EN/IEC 60730)	-	●	-	●
						X	Other special constructions	-	●	-	●

**Suffix table**

suffix						description	power level			
1	2	3	4	5	6		LP	RP	MP	BP
	G	D				Non-electrical, 2 GD, construction safety, gas/dust (EN ISO 80079-36/37)	-	-	-	-
			M	S		Screw type manual operator	-	●	-	●
	S	L				Certified IEC 61508 Functional Safety data <sup>(1)</sup>	-	●	-	●

**Product selection guide**

**STEP 1**

Select basic catalogue number, including pipe thread identification letter. Refer to the specifications table on page: 1 or 2

**Example: G551A001**

**STEP 2**

Select prefix (combination). Refer to the specifications table and the prefix table, respect the indicated power level.

Air operated version, does not use prefix.

**Example: SC**

**STEP 3**

Select suffix (combination) if required. Refer to the suffix table, respect the indicated power level.

GD suffix available for air operated version only (do not use manual operator suffix).

**Example: MS**

**STEP 4**

Select voltage. Refer to standard voltages on page: 4

**Example: 230V / 50Hz**

**STEP 5**

Final catalogue / ordering number

**Example:**

**SCG551A001MS 230 V / 50 Hz**

**Options & Accessories**

series	pipe size	exhaust protector (stainless steel)		
		(G)	(NPT)	(M)
551	1/8	34600418 <sup>(2)</sup>	34600482 <sup>(2)</sup>	-
551 (+ W1/W3)	1/4	34600419 <sup>(2)</sup>	34600483 <sup>(2)</sup>	-
553	1/2	34600479 <sup>(2)</sup>	34600481 <sup>(2)</sup>	-
551/553	M5	-	-	34600484 <sup>(2)</sup>

● Available feature

- Not available

\* ATEX/IECEx valves using these solenoids are approved according to EN ISO 80079-36 (2016) and EN ISO 80079-37 (2016) [non electrical]

<sup>(1)</sup> Not to use with MS suffix

<sup>(2)</sup> Provided with "SL" suffix

**Ordering examples valves:**

SC	G	551 A 001	MS	230V / 50 Hz
SC	G	551 A 001	MMS	230V / 50 Hz
PV	X8	551 A 002	20787	115V / 50 Hz
WBLP	G	551 A 001	MS	24V / DC
	G	553 A 102		
	G	551 A 102	GD	
	G	551 A 101	GD SL	
SC	G	551 A 001	SL	230V / 50 Hz

prefix — pipe thread — basic number — voltage — suffix

## 3/2 NC - 5/2 - 5/3 SERIES 551 - 553

### Explanation of temperature ranges of solenoid valves

Valve temperature range	The valve temperature range (TS) is determined by the selected seal material, the temperature range for proper operation of the valve and sometimes by the fluid (e.g. steam)
Operator ambient temperature range	The operator ambient temperature range is determined by the selected power level and the safety code
Total temperature range	The temperature range of the complete solenoid valve is determined by the limitations of both temperature ranges above

### Electrical characteristics

Coil insulation class	F
Electrical safety	IEC 335
Standard voltages	DC (=) 24V - 48V AC (~) 24V - 48V - 115V - 230V/50Hz; other voltages and 60Hz are available on request

prefix option	power ratings				operator ambient temperature range (TS) (C°)	safety code	electrical enclosure protection (EN 60529)	replacement coil		type <sup>(1)</sup>
	inrush	holding	hot/cold	=				~	=	
	(VA)	(VA) (W)	(W)	(W)				230 V/50 Hz	24V/DC	
<b>Basic power (BP)</b>										
SC	15	7	5	4/5	-25 to +60	EN 60730	IP65, moulded	400727-117	400727-185	02
PV	-	-	6,3	-	-40 to +65	II2G Ex mb IIC T3 Gb, II2D Ex mb IIIC Db	IP67 moulded	- <sup>(2)</sup>	- <sup>(2)</sup>	04
PV	-	-	-	6,9	-40 to +40	II2G Ex mb IIC T3 Gb, II2D Ex mb IIIC Db	IP67 moulded	- <sup>(2)</sup>	- <sup>(2)</sup>	04
EF	55	23	10,5	9/11,2	-40 to +52/40	NEMA type 7 and 9	NEMA 4X	-	-	07
EFHT	55	23	10,5	9/11,2	-40 to +52/40	NEMA type 7 and 9	NEMA 4X	-	-	06
JBEF	55	23	10,5	9/11,2	-40 to +52/40	NEMA type 7 and 9	NEMA 4X	-	-	12
JBEFHT	55	23	10,5	9/11,2	-40 to +52/40	NEMA type 7 and 9	NEMA 4X	-	-	12
<b>Reduced power (RP)</b>										
SC	6	3,5	2,5	2,5/3	-25 to +60	EN 60730	IP65, moulded	400127-097	400904-542	01
PV	-	-	4	-	-40 to +60/65	II2G Ex mb IIC T4-T3 Gb, II2D Ex mb IIIC Db	IP67 moulded	- <sup>(2)</sup>	- <sup>(2)</sup>	03
PV	-	-	-	3	-40 to +40/60/60	II2G Ex mb IIC T5-T4-T3 Gb, II2D Ex mb IIIC Db	IP67 moulded	- <sup>(2)</sup>	- <sup>(2)</sup>	03
WBLP	-	-	3,5	-/4	-40 to +65	II2G Ex mb IIC T4 Gb, II2D Ex mb IIIC Db	IP67 PBT	- <sup>(2)</sup>	- <sup>(2)</sup>	05-06

<sup>(1)</sup> Refer to the dimensional drawings on pages: 5 to 7 (Air operated versions: Refer to the dimensional drawings on pages: 7).

<sup>(2)</sup> Multiple coil kits are available under ATEX/IECEx, contact us

### Electrical connections

prefix	connection
SC	Type 01: Spade plug connector with cable gland DIN 43650, 11 mm, industry standard B, for cables with an outer diameter from 6 to 8 mm Type 02: Spade plug connector with cable gland EN175301-803A (ISO 4400) for cables with an outer diameter from 6 to 10 mm
PV	Moulded-in cable, standard length 2 m
WBLP	M20 cable gland for cables with an outer diameter from 7 to 8,5 mm
EF	1/2" NPT conduits
JBEF	EF + Junction box

### Additional options

- Other pipe threads are available on request
- Coil type CM25 with connector size 30 ISO 4400 (Pg 11P) (551 Series)
- Polyamide coil
- Ex mb (prefix "PV") solenoid can be supplied with various cable lengths
- Set of stainless steel mounting screws (series 551), catalogue number: **97802212**
- Set of two G 1/8 exhaust reducers (series 551), catalogue number: **88100344**

### Installation

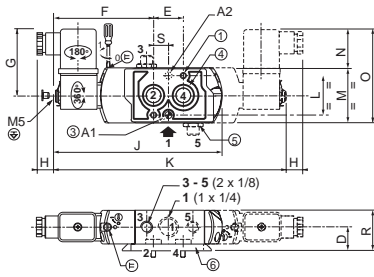
- Multi language installation/maintenance instructions are included with each valve
- The valves can be mounted in any position without affecting operation
- Do not connect the pressure supply to the exhaust port 3. The "environmentally-protected" construction is not adapted for NO function. Contact us for function available in specific version
- IEC 61508 Functional Safety (suffix SL). Check temperature range of valve body and solenoid for suitability. For probability of failure, contact us
- 3/2 NC-5/2 spool valve supplied with one or two interface plates with NAMUR mating surfaces. Depending on function (3/2 NC or 5/2), position the plate (series 551) or one of the two plates (series 553) on the spool valve body before installing on actuator
- It is necessary to connect pipes or fittings to the exhaust ports to protect the internal parts of the spool valve and its pneumatic operator if used outside or in harsh environments (dusts, liquids etc.)
- Dowel pin (if necessary), bolts and gaskets are standard supplied
- Threaded pipe connection identifier is 8 = NPT (ANSI 1.20.3); G = G (ISO 228/1)

**Dimensions (mm), Weight (kg)**

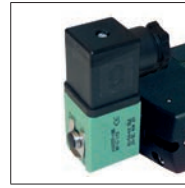
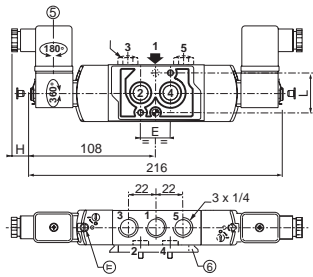


**TYPE 01:**  
Epoxy moulded  
SC: IEC 335 / ISO 4400

551A001/A001MS/A002/A002MS

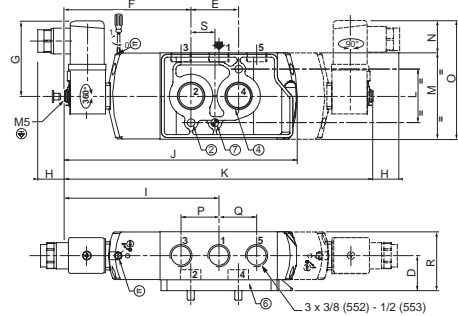


551A065/A065MS/A066/A066MS  
(W1 - W3)



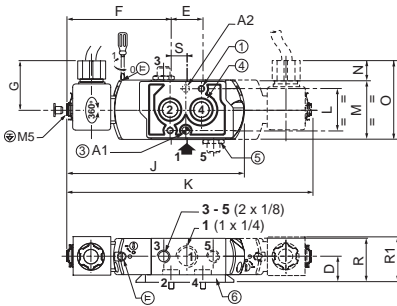
**TYPE 02:**  
Epoxy moulded  
SC: IEC 335 / ISO 4400

553A001/A001MS/A002/A002MS  
553A065/A065MS/A066/A066MS

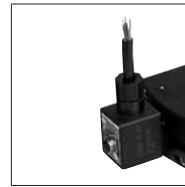
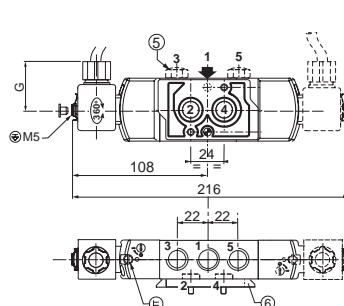


**TYPE 03:**  
Epoxy encapsulated  
PV: EN/IEC 60079-18

551A001 20787/A001MS 20787  
551A002 20787/A002MS 20787

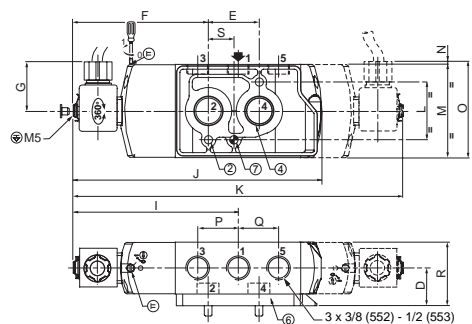


551A065 20787/A065MS 20787  
551A066 20787/A066MS 20787



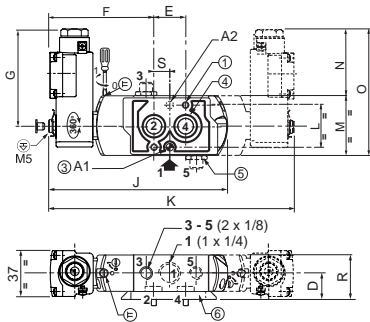
**TYPE 04:**  
Epoxy encapsulated  
PV: EN/IEC 60079-18

553A001/A001MS/A002/A002MS - 553A065/A065MS/A066/A066MS

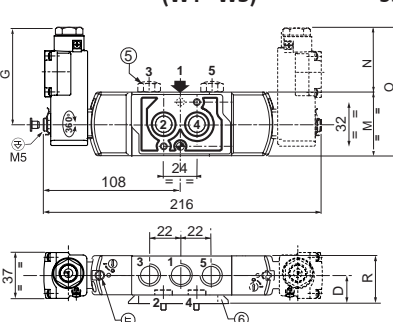


**TYPE 05:**  
PBT  
WBLP: EN/IEC 60079-7 +18 + 31

551A001/A001MS/A002/A002MS



551A065/A065MS/A066/A066MS  
(W1 - W3)



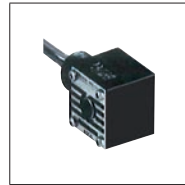
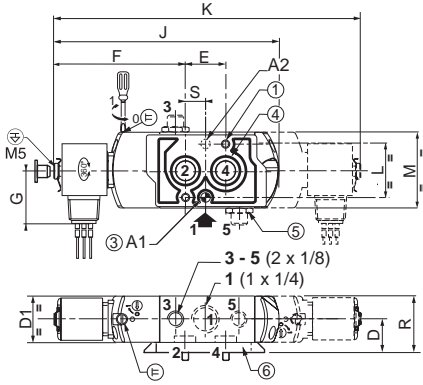
**3/2 NC - 5/2 - 5/3  
SERIES  
551 - 553**

**Dimensions (mm), Weight (kg)**



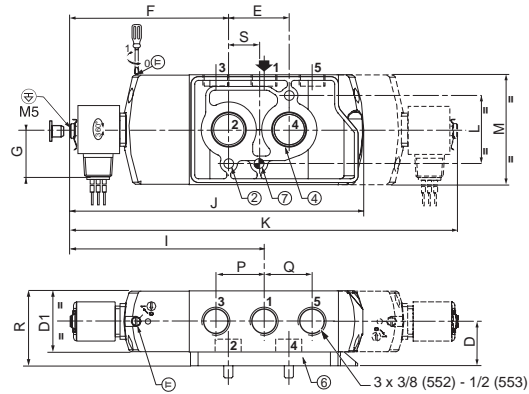
**TYPE 07:**  
Epoxy encapsulated  
EF: NEMA type 7, 9 / ICS-6 ANSI

551G001 / G001MS / G002 / G002MS



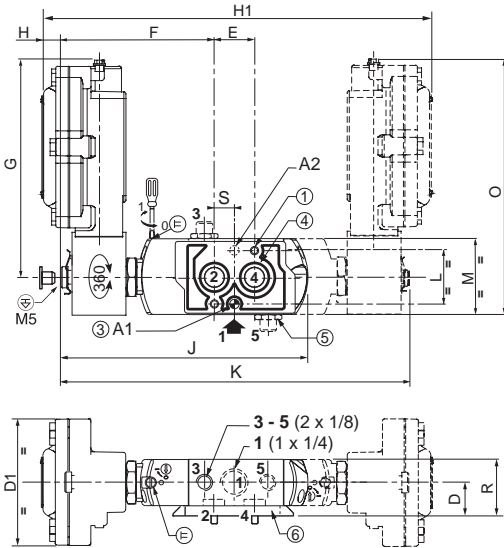
**TYPE 08:**  
Epoxy encapsulated  
EF: NEMA type 7, 9 / ICS-6 ANSI

553G001 / G001MS / G002 / G002MS



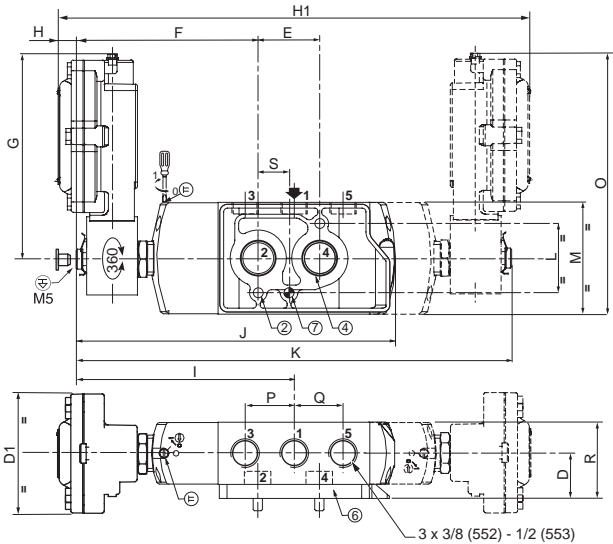
**TYPE 09:**  
Epoxy encapsulated  
JBEF: NEMA type 7, 9

551G001 / G001MS / G002 / G002MS



**TYPE 10:**  
Epoxy encapsulated  
JBEF: NEMA type 7, 9

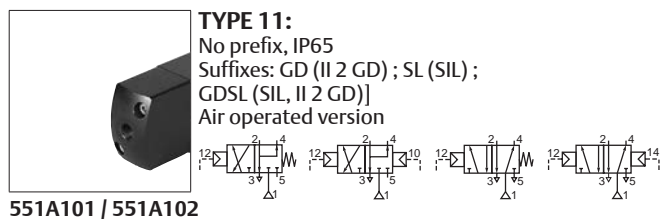
553G001 / G001MS / G002 / G002MS



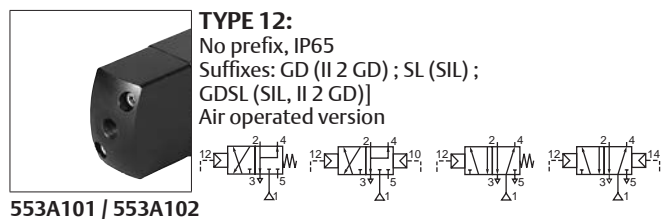
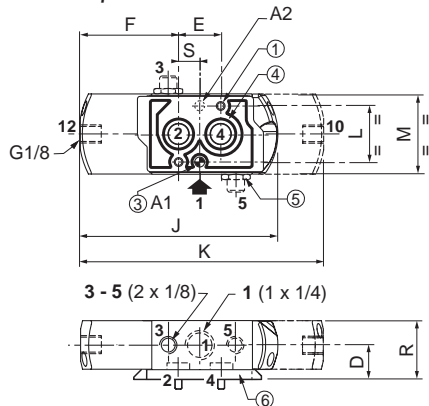
type	prefix/ option	power level	D	D1	E	F	G	H	I	J	K	L	M	N	O	P	Q	R	R1	S	weight <sup>(1)</sup>	
																					monostable	bistable
01 (551)	SC	RP	19	-	24	83	52	13	-	139	192	32	45	27	72	-	-	33	-	12	0,34	0,46
02 (553)	SC	BP	29,1	-	40	106,7	59,2	21,8	130,3	197,5	261	45	72,3	20	92,3	31,6	31,8	49,2	-	20	0,90	1,20
03 (551)	PV	RP	19	-	24	83	36,5	-	-	139	192	32	45	13	58	-	-	33	36,5	12	0,38	0,50
04 (553)	PV	BP	29,1	-	40	106,7	36,5	-	130,3	197,5	261	45	72,3	0,3	72,6	31,6	31,8	49,2	-	20	0,93	1,23
05 (551)	WBLP	RP	19	-	24	83	81,5	-	-	139	192	32	45	59	104	-	-	33	36,5	12	0,38	0,50
06 (553)	WBLP	RP	29,1	-	40	106,7	81,5	-	130,3	197,5	261	45	72,3	45,35	117,65	31,6	31,8	49,2	-	20	0,93	1,23
07 (551)	EF	BP	19	40,2	24	83	53	-	-	139	192	32	45	-	-	-	-	33	-	12	0,44	2,54
08 (553)	EF	BP	29,1	87	40	106,7	53	-	130,3	197,5	261	45	72,3	-	-	31,6	31,8	49,2	-	20	1,00	3,24
09 (551)	JBEF	BP	19	27,5	24	83	151	13,5	-	139	192	32	45	-	187,15	-	-	33	-	12	1,35	2,49
10 (553)	JBEF	BP	29,1	87	40	106,7	151	13,5	130,3	197,5	261	45	72,3	-	187,15	31,6	31,8	49,2	-	20	1,89	3,19

<sup>(1)</sup> Incl. coil(s) and connector(s).

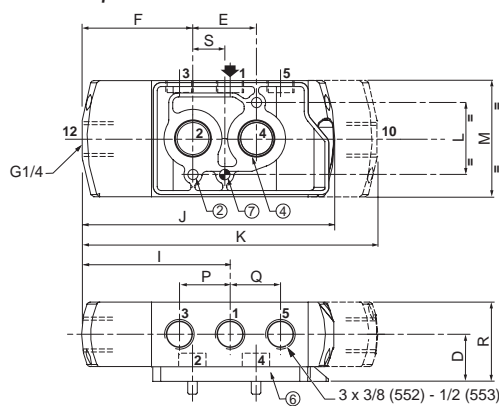
**Dimensions (mm), Weight (kg)**



551A101 / 551A102



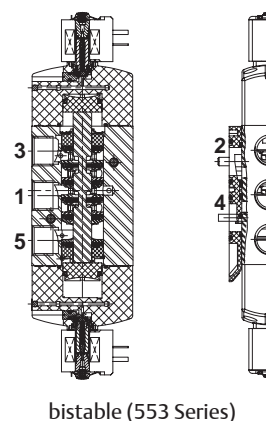
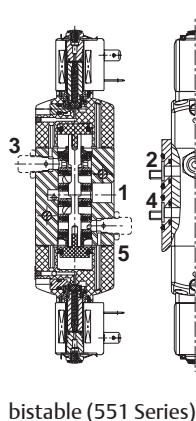
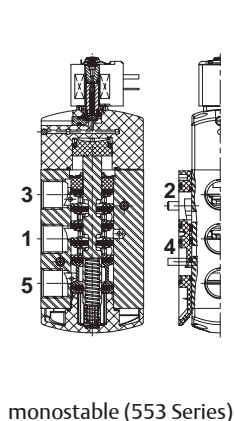
553A101 / 553A102



- ① 2 mounting holes: 5,3 mm dia.; Spotfacing: 9 mm dia., depth 5 mm
- ② 2 mounting holes: 6,5 mm dia.; Spotfacing: 11 mm dia., depth 6 mm
- ③ One 5 mm dia. hole for dowel pin (551 Series)  
- in position A1: 3/2 NC function plate  
- in position A2: 5/2 function plate
- ④ 2 O-ring seals (supplied)
- ⑤ Exhaust reducers G 1/8 (series 551) or protectors adaptable on orifices 3 and 5
- ⑥ Interface plate
- ⑦ 1 dia. 6,5 mm hole for dowel pin (series 553). Same position for interface plate 3/2 NC or 5/2
- ⊕ Connectable pilot exhaust port

type	prefix/ option	power level	D	E	F	G	H	I	J	K	L	M	N	O	P	Q	R	R1	S	weight	
																				monostable	bistable
11 (551)	-	-	19	24	-	-	-	-	107	128	32	45	-	-	-	-	33	-	12	0,31	0,41
12 (553)	-	-	29,1	40	70,7	-	-	130,3	161,5	189	45	72,3	-	-	31,6	31,8	49,2	-	20	0,85	1,11

**Sectional drawings**



**3/2 NC - 5/2 - 5/3  
SERIES  
551 - 553**

---

Availability, design and specifications are subject to change without notice. All rights reserved.  
80108GB-2019/R04



# SCATTERGOOD & JOHNSON LTD

ELECTRICAL ENGINEERING & FLUID CONTROL DISTRIBUTORS

Est.1899

At Scattergood & Johnson Ltd, we pride ourselves on being a technical distributor to specialist industries.

Working with a range of quality product suppliers across a number of specialist markets, we are not your average 'box shifter' - we are your technical and supply chain partner.

We fully support every product we sell - for free! Our internal team and external sales engineers can answer any product or application question, no matter the complexity.

Backing up this technical ability is a range of 50,000+ products available from stock for nationwide next day delivery (same day if required!), or you can collect what you need from any of our trade counters around the UK.

Select your specialist interest below to learn more about how we can help.



Online, In Branch and On the Road - Scattergood & Johnson Ltd, there when you need us.

# [www.scatts.co.uk](http://www.scatts.co.uk)