

Nexus 105 Sounder Beacon (AC)

The Nexus 105 is a high output sounder-beacon designed for industrial applications.

Connections are made to the base during the initial wiring phase which results in faster and more reliable installation. In addition, the head is fixed by quarter turn fasteners enabling faster installation and accurate seal compression for weatherproofing.

The combination of powerful sounder and high output xenon beacon ensures a very effective audio-visual signal.

110dB and 120dB units, as well as DC variants, are also available.

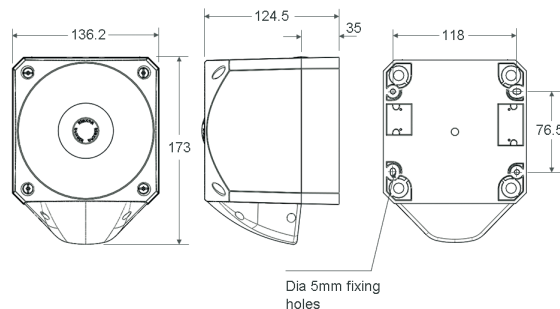
Features

- High sound output: 113dB (max); 105dB typical
- 5J xenon beacon
- Quarter turn fasteners for ease of installation
- First-fix, wire to base technology
- IP66 rated
- Volume control for greater flexibility - 20dB
- 64 tones
- Separate connections for sounder & beacon

Lens Colour Options



Applications - Conveyors; process control alarm; cranes; moving machinery; general signalling; marine



Specifications

| Part No. | Lens Colour | Beacon Type | Audibility at 1m | Tones | Voltage | Sounder Current | Beacon Current |
|----------|-------------|-----------------|------------------|-------|-------------|-----------------|----------------|
| PNC-0005 | Red lens | 5J xenon beacon | Up to 113dB (A) | 64 | 110/230V AC | 40mA (max) | 70mA |
| PNC-0007 | Amber lens | 5J xenon beacon | Up to 113dB (A) | 64 | 110/230V AC | 40mA (max) | 70mA |
| PNC-0019 | Clear lens | 5J xenon beacon | Up to 113dB (A) | 64 | 110/230V AC | 40mA (max) | 70mA |
| PNC-0044 | Blue lens | 5J xenon beacon | Up to 113dB (A) | 64 | 110/230V AC | 40mA (max) | 70mA |
| PNC-0042 | Green lens | 5J xenon beacon | Up to 113dB (A) | 64 | 110/230V AC | 40mA (max) | 70mA |

IP Rating: IP66 Operating Temp: -25°C to +55°C Cable Entries: 5 Weight: 0.8kg





SCATTERGOOD & JOHNSON LTD

ELECTRICAL ENGINEERING & FLUID CONTROL DISTRIBUTORS

Est.1899

At Scattergood & Johnson Ltd, we pride ourselves on being a technical distributor to specialist industries.

Working with a range of quality product suppliers across a number of specialist markets, we are not your average 'box shifter' - we are your technical and supply chain partner.

We fully support every product we sell - for free! Our internal team and external sales engineers can answer any product or application question, no matter the complexity.

Backing up this technical ability is a range of 50,000+ products available from stock for nationwide next day delivery (same day if required!), or you can collect what you need from any of our trade counters around the UK.

Select your specialist interest below to learn more about how we can help.



Online, In Branch and On the Road - Scattergood & Johnson Ltd, there when you need us.

www.scatts.co.uk