

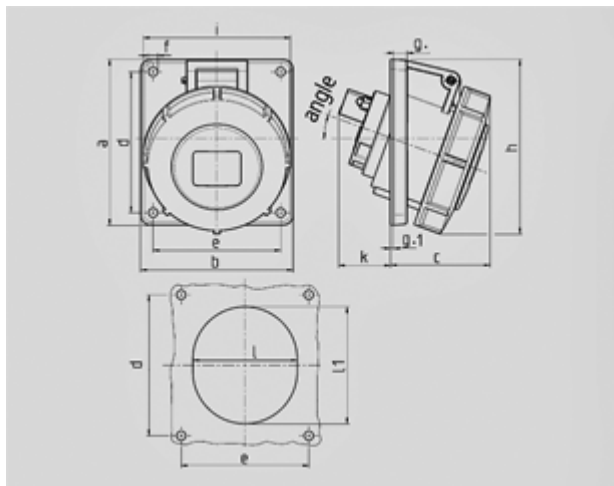
**Panel mounted receptacle - Part no. 1551**



- screw terminals
- 20° inclination
- 32A receptacles optional fitted with auxiliary contact

Protection type	67
Ampere	32 A
Poles	5p
Voltage	400
Hertz	50-60Hz
Earth position	6h
Contact	standard
Connection technology	Screw terminals

Std. Pack. 10 Qty.



Drawing	Amp.	16			32		
		3	4	5	3	4	5
<b>1 MB 251</b>	<b>Poles</b>						
<b>Dim. in mm</b>	<b>a</b>	73,5	100	100	100	100	100
	<b>b</b>	64	92	92	92	92	92
	<b>c</b>	52	60	62	64	64	66
	<b>d</b>	60	85	85	85	85	85
	<b>e</b>	52	77	77	77	77	77
	<b>f</b>	5,5	5,5	5,5	5,5	5,5	5,5
	<b>g</b>	8	8	8	8	8	8
	<b>g.1</b>	2	2	2	2	2	2
	<b>h</b>	84	100	105	109	109	113
	<b>i</b>	78	85	96	103	103	110
	<b>k</b>	43	32	32	53	53	45
	<b>l</b>	52	55	65	67	67	72
	<b>ll</b>	60	63	72	82	82	85
	<b>α</b>	20°	20°	20°	20°	20°	20°
<b>Terminal for cond. cross section (mm²) min.-max.</b>		1,5	1,5	1,5	2,5	2,5	2,5
		-4	-4	-4	-10	-10	-10



# SCATTERGOOD & JOHNSON LTD

ELECTRICAL ENGINEERING & FLUID CONTROL DISTRIBUTORS

Est.1899

At Scattergood & Johnson Ltd, we pride ourselves on being a technical distributor to specialist industries.

Working with a range of quality product suppliers across a number of specialist markets, we are not your average 'box shifter' - we are your technical and supply chain partner.

We fully support every product we sell - for free! Our internal team and external sales engineers can answer any product or application question, no matter the complexity.

Backing up this technical ability is a range of 50,000+ products available from stock for nationwide next day delivery (same day if required!), or you can collect what you need from any of our trade counters around the UK.

Select your specialist interest below to learn more about how we can help.



Online, In Branch and On the Road - Scattergood & Johnson Ltd, there when you need us.

# [www.scatts.co.uk](http://www.scatts.co.uk)