

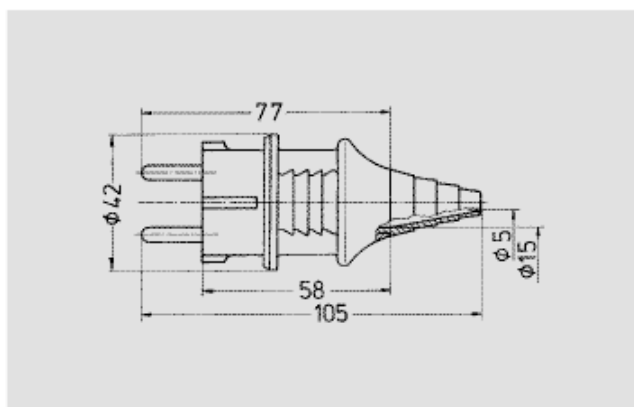


: 10749

SCHUKO Plug

16A
2P+E
230V

with grommet, for cables up to 3x2,5 mm², up to HO7RN-F



Zeichnung 2 MB 139

Maße in mm

	: 2927
SCHUKO IP protection types	: IP44
packing unit	: 0020
	: 47 g

SCHUKO colour	
blue / blue-grey (standard)	10838
grey	<u>10749</u>
black	10754
orange	10837
red	10839
yellow	10840
green	10841



SCATTERGOOD & JOHNSON LTD

ELECTRICAL ENGINEERING & FLUID CONTROL DISTRIBUTORS

Est.1899

At Scattergood & Johnson Ltd, we pride ourselves on being a technical distributor to specialist industries.

Working with a range of quality product suppliers across a number of specialist markets, we are not your average 'box shifter' - we are your technical and supply chain partner.

We fully support every product we sell - for free! Our internal team and external sales engineers can answer any product or application question, no matter the complexity.

Backing up this technical ability is a range of 50,000+ products available from stock for nationwide next day delivery (same day if required!), or you can collect what you need from any of our trade counters around the UK.

Select your specialist interest below to learn more about how we can help.



Online, In Branch and On the Road - Scattergood & Johnson Ltd, there when you need us.

www.scatts.co.uk