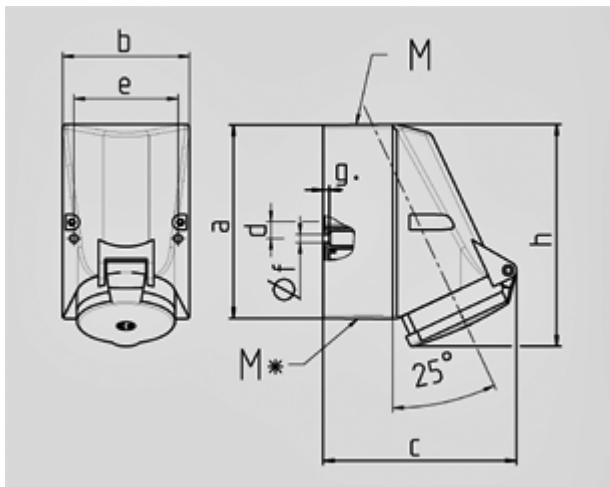


Wall mounted socket - Part no. 1557



- screw terminals
- internal fixing
- one cable entry at top, two blind cable entries (can be cut out) at the bottom
- enclosure base can be turned 180
- sockets are designed for adding an auxiliary contact switch
-

Protection type	IP 44
Ampere	32A
Poles	5p
Voltage	400V
Hertz	50-60 Hz
Earth position	6h
Contact	standard
Connection technology	Screw terminals



Drawing	Amp.	16		32				
		Poles		4	5	3	4	5
1 MB 43								
Dim. in mm	a	128	128	128	128	128		
	b	84	84	84	84	84		
	c	122	124	136	136	138		
	d	11	11	11	11	11		
	e	68	68	68	68	68		
	f	5,3	5,3	5,3	5,3	5,3		
	g	4	4	4	4	4		
	h	144	145	158	158	160		
	M	25	25	32	32	32		
	M*	2x25 (blind) to be cut out		2x25 (blind) to be cut out				
Max. cable diam. (mm)		18	18	18/25	18/25	18/25		
Terminal for cond. cross section (mm ²) min.-max.		1,5	1,5	2,5	2,5	2,5		
		-4	-4	-10	-10	-10		



SCATTERGOOD & JOHNSON LTD

ELECTRICAL ENGINEERING & FLUID CONTROL DISTRIBUTORS

Est.1899

At Scattergood & Johnson Ltd, we pride ourselves on being a technical distributor to specialist industries.

Working with a range of quality product suppliers across a number of specialist markets, we are not your average 'box shifter' - we are your technical and supply chain partner.

We fully support every product we sell - for free! Our internal team and external sales engineers can answer any product or application question, no matter the complexity.

Backing up this technical ability is a range of 50,000+ products available from stock for nationwide next day delivery (same day if required!), or you can collect what you need from any of our trade counters around the UK.

Select your specialist interest below to learn more about how we can help.



Online, In Branch and On the Road - Scattergood & Johnson Ltd, there when you need us.

www.scatts.co.uk