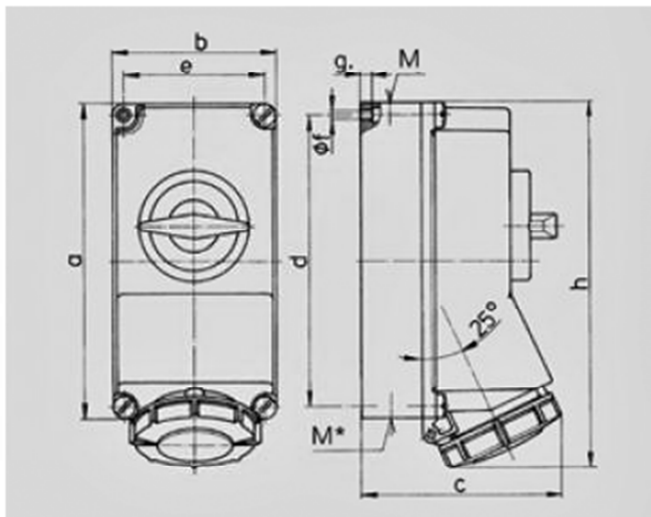


Wall mounted receptacle - Part no. 5785ZA


- screw terminals
- switched
- mechanical DUO-interlock
- highly heat resistant contact carrier
- nickel plated contacts
- 6 pole switch with 2 auxiliary contacts (1 NO and 1 NC)
- receptacles can be padlocked

Technical information

Ampere	16 A
Poles	7p
Voltage	400V
Earth position	6 h
Hertz	50-60 Hz
Connection technology	Screw terminals
Contact	standard
Protection type	IP 67



Drawing	Amp.	16
1 MB 382	Poles	7
Dim. in mm	a	225
	b	118
	c	147
	d	208
	e	101
	f	6,3
	g	8
	h	259
	M	1x25 and 1x32
	M*	2x25
Max. cable diam. (mm)		25
Terminal for cond. cross section (mm ²) min.-max.		1,5 — 4



SCATTERGOOD & JOHNSON LTD

ELECTRICAL ENGINEERING & FLUID CONTROL DISTRIBUTORS

Est.1899

At Scattergood & Johnson Ltd, we pride ourselves on being a technical distributor to specialist industries.

Working with a range of quality product suppliers across a number of specialist markets, we are not your average 'box shifter' - we are your technical and supply chain partner.

We fully support every product we sell - for free! Our internal team and external sales engineers can answer any product or application question, no matter the complexity.

Backing up this technical ability is a range of 50,000+ products available from stock for nationwide next day delivery (same day if required!), or you can collect what you need from any of our trade counters around the UK.

Select your specialist interest below to learn more about how we can help.



Online, In Branch and On the Road - Scattergood & Johnson Ltd, there when you need us.

www.scatts.co.uk