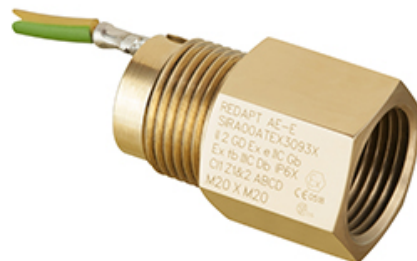


Earth lead (Exe) adaptors – AE-E Series

Technical specification

Redapt AE-E series of earth lead adaptors provide a method of bonding a cable gland or conduit termination to a grounding point within an enclosure.



Type AE-E

Certifications and compliances



Code of protection categories

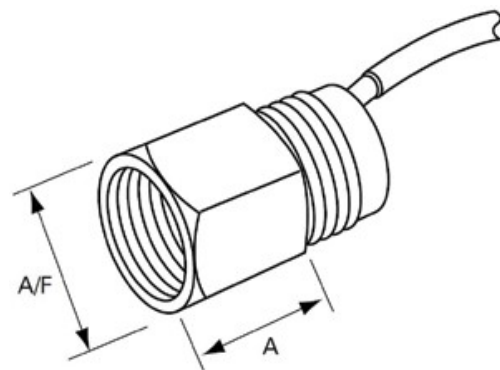
ATEX:	I M2 / II 2GD, Ex eb I/IIC Mb/Gb, Ex tb I/IIC Db (Aluminium not mining)
IECEC:	Ex e IIC Gb, Ex tb I/IIC Db
CSA:	Ex eb IIC Gb IP54; C11 Zn 1 AEx eb IIC Gb IP54; C11 Div 2 Gr ABCD C11 Gr EFG C11 III; Type 3

Compliance standards

ATEX:	EN 60079-0, EN 60079-7, EN 60079-31
IECEC:	IEC 60079-0, IEC 60079-7, IEC 660079-31
CSA:	CAN/CSA C22.2 No. 60079-0, CAN/CSA C22.2, No. 60079-7, ANSI/UL 60079-0, ANSI/UL 60079-7

Certificate details

ATEX:	ITS16ATEX101339X
IECEC:	IECEC ITS 16.0013X
CSA:	CSA01CA1248014X
EAC:	RU C-GB.MO62.B.06225
INMETRO:	NCC 18.0133 X



Temperature

-20°C to +40°C

Ingress protection (IP):

IP64 when fitted without sealing washer. IP66/IP68 when fitted with washer or thread sealant according to manufacturer's instructions.

Threadforms

Metric
NPT
Pg
ISO Pipe (BSP)
ET

Plating options

Electroless nickel
Zinc
Chromated
Others on application

Dimensions

Size	Body length (A)	A/F
M16	21.50	23.37
M20	21.50	30.48
M25	21.50	37.59
M32	21.50	47.24
M40	21.50	55.88
M50	21.50	70.10
M63	21.50	90.17
M75	21.50	

Earth lead (Exe) adaptors - Product coding

Product	DIGITS 1 & 2
Exe Earth lead ADAPTOR	AE

Certification	DIGIT 3
E	Exe I and IIC

Material	DIGIT 4
1	Brass
2	Mild steel
3	Stainless steel
5	Aluminium

Plating	DIGIT 5
0	Unplated
1	Electroless nickel
2	Zinc
6	Chromated

DIGITS 6 & 7 Malethread ; DIGITS 8 & 9 Female thread							
Metric	ET imperial conduit	NPT	NPSM	ISO pipe parallel (BSPP)	ISO pipe taper (BSPT)	PG	
03 M16	17 5/8" ET	29 1/2" NPT	42 1/2" NPSM	55 1/2" BSPP	68 1/2" BSPT	79 PG7	
04 M20	18 3/4" ET	30 3/4" NPT	43 3/4" NPSM	56 3/4" BSPP	69 3/4" BSPT	80 PG9	
05 M25	19 1" ET	31 1" NPT	44 1" NPSM	57 1" BSPP	70 1" BSPT	81 PG11	
06 M32	20 1 1/4" ET	32 1 1/4" NPT	45 1 1/4" NPSM	58 1 1/4" BSPP	71 1 1/4" BSPT	82 PG13.5	
07 M40	21 1 1/2" ET	33 1 1/2" NPT	46 1 1/2" NPSM	59 1 1/2" BSPP	72 1 1/2" BSPT	83 PG16	
08 M50	22 2" ET	34 2" NPT	47 2" NPSM	60 2" BSPP	73 2" BSPT	84 PG21	
09 M63	23 2 1/2" ET	35 2 1/2" NPT	48 2 1/2" NPSM	61 2 1/2" BSPP	74 2 1/2" BSPT	85 PG29	
10 M75	24 3" ET	36 3" NPT	49 3" NPSM	62 3" BSPP	75 3" BSPT	86 PG36	

Example

Digits 1&2	Digit 3	Digit 4	Digit 5	Digits 6 & 7	Digits 8 & 9
AE	- E	- 2	- 6	- 29	- 04
Earth lead Adaptor	Exe certified	Mild steel	Chromated	1/2" NPT (male)	M20 (female)

Always quote male thread first.

Note: threadform codes below to be used for both male and female threads.

Thread dimension chart

ISO metric

BS 3643 1.5mm pitch

Size	Major dia.	TPI
M12	11.97	16.93
M16	15.97	16.93
M20	19.97	16.93
M25	24.97	16.93
M32	31.97	16.93
M40	39.97	16.93
M50	49.97	16.93
M63	62.97	16.93
M75	74.97	16.93
2.0mm pitch		
M80	79.97	12.70
M85	84.97	12.70
M90	89.97	12.70
M100	99.97	12.70
M110	109.97	12.70
M120	119.97	12.70

NPT

ANSI.ASME B1.20.1

Size	Pipe dia.	TPI
½"	21.34	14.00
¾"	26.67	14.00
1"	33.40	11.50
1¼"	42.16	11.50
1½"	48.26	11.50
2"	60.33	11.50
2½"	73.03	8.00
3"	88.90	8.00
3½"	101.60	8.00
4"	114.30	8.00

PG

DIN 40430

Size	Major dia.	TPI
PG7	12.50	20.00
PG9	15.20	18.00
PG11	18.60	18.00
PG13.5	20.40	18.00
PG16	22.50	18.00
PG21	28.30	16.00
PG29	37.00	16.00
PG36	47.00	16.00
PG42	54.00	16.00
PG48	59.30	16.00

Alternate ISO pipe thread designations

UK	BSP Parallel or Taper BS2279 (BS21)
Europe	G (Parallel) GK (Taper) R (Parallel) RK (Taper)
Japan	PF (Parallel) JISB 303
CIS	K mpy (Taper)

BSP ISO pipe thread

ISO R/7; UNI 6125

Size	Pipe Dia.	TPI
⅝"	16.66	19.00
½"	20.96	14.00
¾"	26.44	14.00
1"	33.25	11.00
1¼"	41.91	11.00
1½"	47.80	11.00
2"	59.61	11.00
2½"	75.18	11.00
3"	87.88	11.00

ET imperial conduit

BS31

Size	Major dia.	TPI
⅝"	15.88	18.00
¾"	19.05	16.00
1"	25.40	16.00
1¼"	31.75	16.00
1½"	38.10	14.00
2"	50.80	14.00
2½"	63.50	14.00
3"	76.20	14.00

Thread dimension substitution chart

Metric	NPT (or NPS)	PG	BSP ISO Pipe	ET
M16	–	7, 9	–	⅝"
M20	½"	11, 13.5	½"	¾"
M25	¾"	16	¾"	1"
M32	1"	21	1"	1¼"
M40	1¼"	29	1¼"	1½"
M50	1½"	36	1½"	2"
M63	2"	42, 48	2"	2½"
M75	2½"	–	2½"	3"
M90 x 2.0	3"	–	3"	–
M100 x 2.0	3½"	–	–	–
M110 x 2.0	–	–	–	–
M120 x 2.0	–	–	–	–



SCATTERGOOD & JOHNSON LTD

ELECTRICAL ENGINEERING & FLUID CONTROL DISTRIBUTORS

Est.1899

At Scattergood & Johnson Ltd, we pride ourselves on being a technical distributor to specialist industries.

Working with a range of quality product suppliers across a number of specialist markets, we are not your average 'box shifter' - we are your technical and supply chain partner.

We fully support every product we sell - for free! Our internal team and external sales engineers can answer any product or application question, no matter the complexity.

Backing up this technical ability is a range of 50,000+ products available from stock for nationwide next day delivery (same day if required!), or you can collect what you need from any of our trade counters around the UK.

Select your specialist interest below to learn more about how we can help.



Online, In Branch and On the Road - Scattergood & Johnson Ltd, there when you need us.

www.scatts.co.uk